

4

3

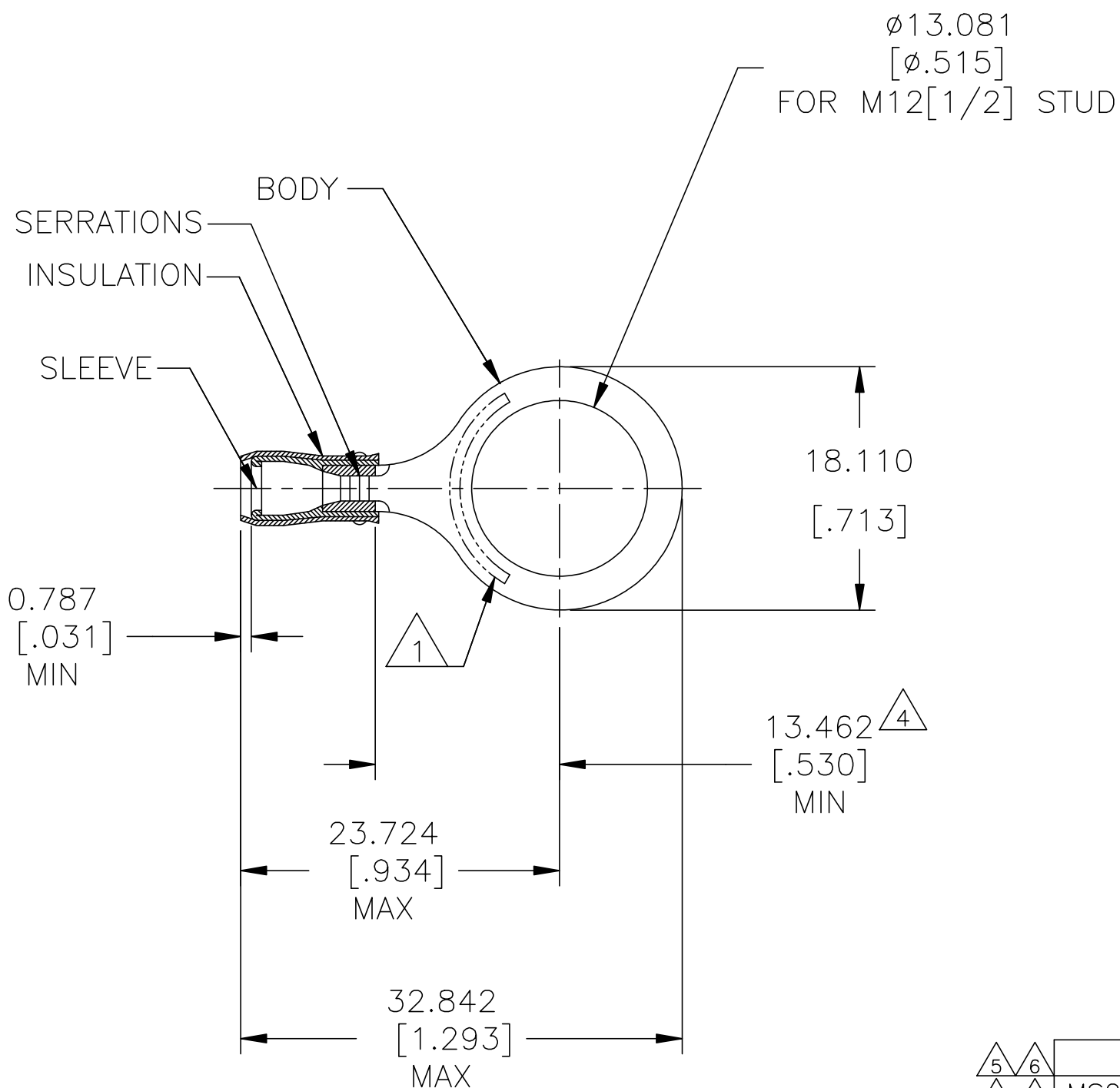
2

1

© - TE Connectivity. All Rights Reserved.

REVISIONS

P	LTR	DESCRIPTION	DATE	DWN	APVD
R		REVISED PER ECR-23-175984	31MAY2023	BB	DSC



AMP WIRE RANGE	UL E13288 Listed	LR7189 Certified
22-16 AWG SOLID OR STRANDED	22-16 AWG STRANDED	22-16 AWG SOLID OR STRANDED

- 1 STAMP AMP 22-18* APPROX AS SHOWN
22-16 TERMINALS ARE STAMPED 22-18 IN
ACCORDANCE WITH MILITARY SPEC SAE AS7928
COMMERCIAL WIRE RANGE IS 22-16.
- 2 WIRE INSULATION DIA: $\phi 2.032-3.175[\phi.080-.125]$.
- 3 BODY MATERIAL THK: $0.787\pm 0.051[.031\pm.002]$.
- 4 APPLIES FROM EDGE OF METAL WIRE BARREL
TO CENTER OF STUD HOLE.
- 5 UL LISTED
- 6 CSA CERTIFIED
- 7 MATERIAL:
BODY & SLEEVE - COPPER PER ASTM B152
INSULATION - NYLON
- 8 FINISH:
BODY & SLEEVE - TIN PLATE $0.00254[.000100]$
MIN EXT THK PER ASTM B545
INSULATION COLOR - RED

5 6	-	100	LOOSE PIECE, BOX	8-328975-1
5 6	MS25036-151 CLASS 1	1000	LOOSE PIECE	328975
	MILITARY P/N AND CLASS	QUANTITY	PACKAGE TYPE	PART NO

AMP INCORPORATED
CUSTOMER SERVICE SYSTEMS

MAX RECOMMENDED OPERATING
TEMPERATURE:
105°C[221°F] MAX

FOR ADDITIONAL
PRODUCT INFORMATION OR
COPIES OF DRAWINGS
AND TECHNICAL DOCUMENTS

PRODUCT INFORMATION CENTER
1-800-522-6752

FOR APPLICATION
TOOLING INFORMATION

TOOLING ASSISTANCE CENTER
1-800-722-1111

FOR ORDER ENTRY

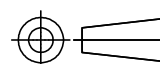
1-800-526-5142

VOLTAGE RATING:
300 V MAX

CIRCULAR MIL AREA:
 $0.26-1.65\text{mm}^2[509-3,260]$ CIR MILS
SOLID OR STRANDED

THIS DRAWING IS A CONTROLLED DOCUMENT.

DIMENSIONS:
mm [INCHES]



MATERIAL

TOLERANCES UNLESS
OTHERWISE SPECIFIED:

0 PLC	± -
1 PLC	± -
2 PLC	± -
3 PLC	± 0.127[.005]
4 PLC	± -
ANGLES	± -

FINISH

DWN 9/8/93

CHK DK SCHRUM

RE HERSEY 9/8/93

APVD ML ELLIS 9/8/93

PRODUCT SPEC

UL 486A-B 5

APPLICATION SPEC

114-2157

WEIGHT -

CUSTOMER DRAWING



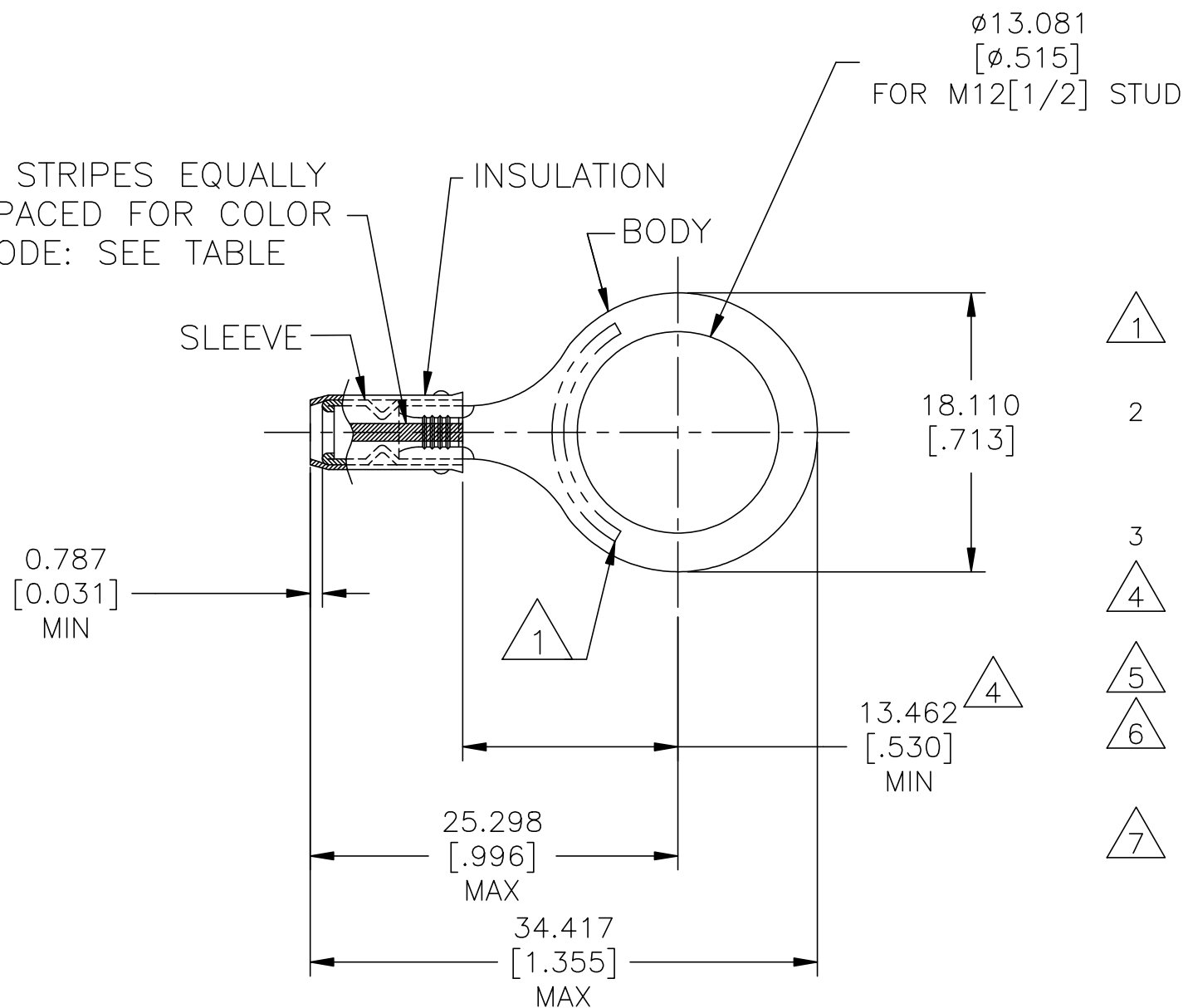
NAME
TERMINAL, RING TONGUE, PIDG™,
WIRE SIZE, 22-16 AWG

SIZE	CAGE CODE	DRAWING NO	RESTRICTED TO
A3	00779	C-328975	-

SCALE	SHEET	REV
NTS	1 OF 2	R

P	LTR	DESCRIPTION	DATE	DWN	APVD
-	-	SEE SHEET 1	-	-	-

3 STRIPES EQUALLY SPACED FOR COLOR CODE: SEE TABLE



AMP WIRE RANGE	LR7189 Certified
SEE TABLE STRANDED	WIRE SIZE PER TABLE STRANDED

- 1 STAMP AMP APPROX AS SHOWN SEE TABLE BELOW.
- 2 WIRE INSULATION DIA: ø0.965-2.794[ø.038-.110] FOR 22 AWG
ø1.168-2.794[ø.046-.110] FOR 20 AWG
ø1.422-2.794[ø.056-.110] FOR 18 AWG
- 3 BODY MATERIAL THK: 0.787±0.051[.031±.002].
- 4 APPLIES FROM EDGE OF METAL WIRE BARREL TO CENTER OF STUD HOLE.
- 5 CSA CERTIFIED
- 6 MATERIAL:
BODY & SLEEVE - COPPER PER ASTM B152
INSULATION - NYLON
- 7 FINISH:
BODY & SLEEVE - TIN PLATE 0.00254[.000100] MIN EXT THK PER ASTM B545
INSULATION COLOR - RED

5	M7928/1-37 CLASS 1	WHITE	18*	18	1000	LOOSE PIECE	2-328975-3	
5	M7928/1-28 CLASS 1	RED	20*	20	1000	LOOSE PIECE	2-328975-2	
5	M7928/1-19 CLASS 1	GREEN	22*	22	1000	LOOSE PIECE	2-328975-1	
	MILITARY P/N AND CLASS	STRIPE COLOR	1	STAMPING	WIRE SIZE	QUANTITY	PACKAGE TYPE	PART NO

AMP INCORPORATED
CUSTOMER SERVICE SYSTEMS

MAX RECOMMENDED OPERATING
TEMPERATURE: 105°C[221°F] MAX

THIS DRAWING IS A CONTROLLED DOCUMENT.

DWN	DK SCHRUM	9/8/93
CHK	RE HERSEY	9/8/93
APVD	ML ELLIS	9/8/93
PRODUCT SPEC		

TE TE Connectivity Ltd.

FOR ADDITIONAL
PRODUCT INFORMATION OR
COPIES OF DRAWINGS
AND TECHNICAL DOCUMENTS

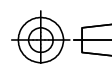
PRODUCT INFORMATION CENTER
1-800-522-6752

VOLTAGE RATING: 300 V MAX

WIRE RANGE:	CIRC MIL AREA
22	0.38mm ² [754]
20	0.60mm ² [1,186]
18	0.96mm ² [1,900]

DIMENSIONS:
mm [INCHES]

TOLERANCES UNLESS
OTHERWISE SPECIFIED:



0 PLC	± -
1 PLC	± -
2 PLC	± -
3 PLC	± 0.127[0.005]
4 PLC	± -
ANGLES	± -

MATERIAL

FINISH



APPLICATION SPEC

114-2157

WEIGHT

CUSTOMER DRAWING

NAME
TERMINAL, RING TONGUE, PIDG™,
WIRE SIZE, 22, 20 & 18 AWG

SIZE	CAGE CODE	DRAWING NO	RESTRICTED TO
A3	00779	C-328975	-

FOR ORDER ENTRY
1-800-526-5142

SCALE NTS SHEET 2 OF 2 REV R