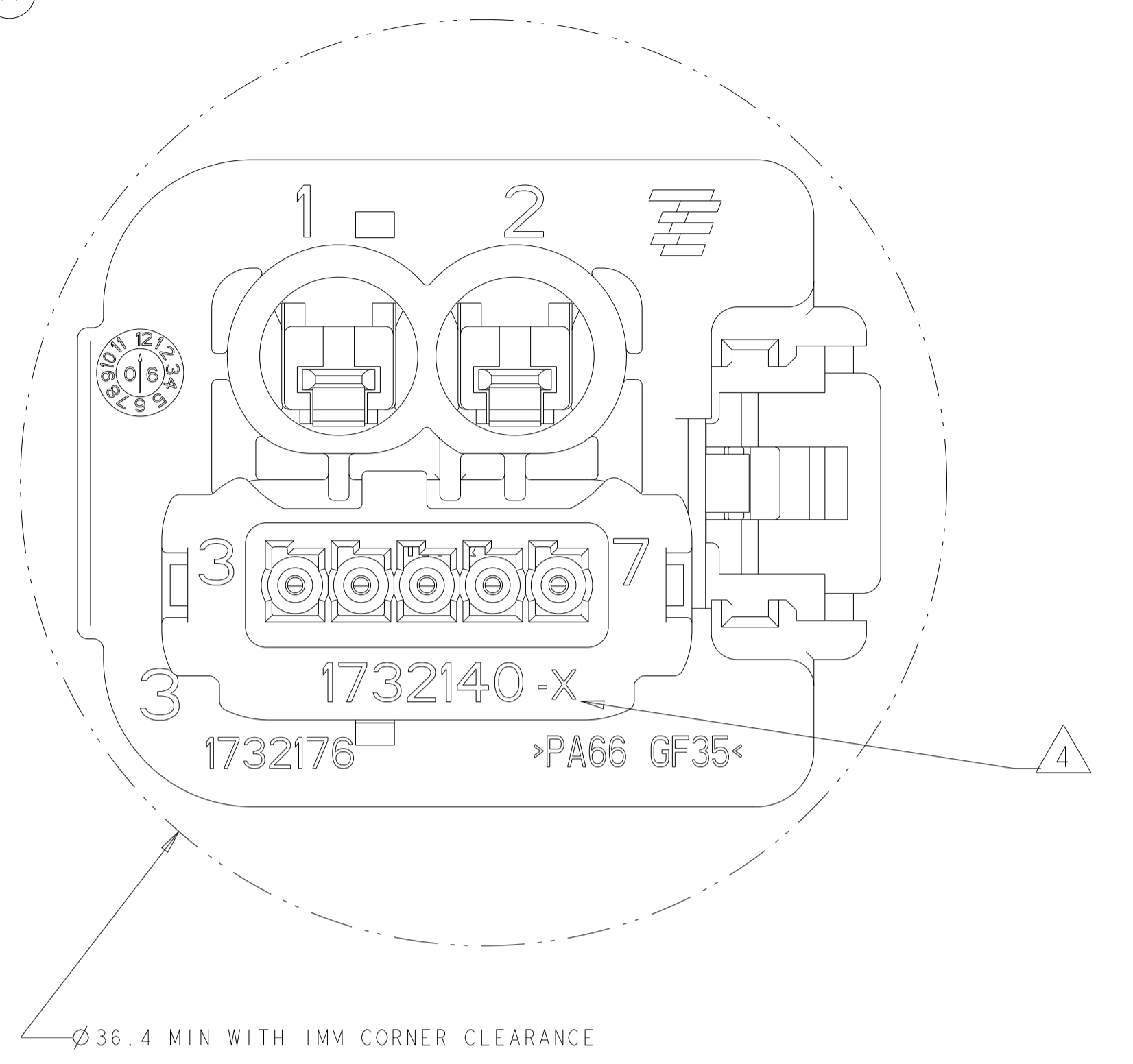
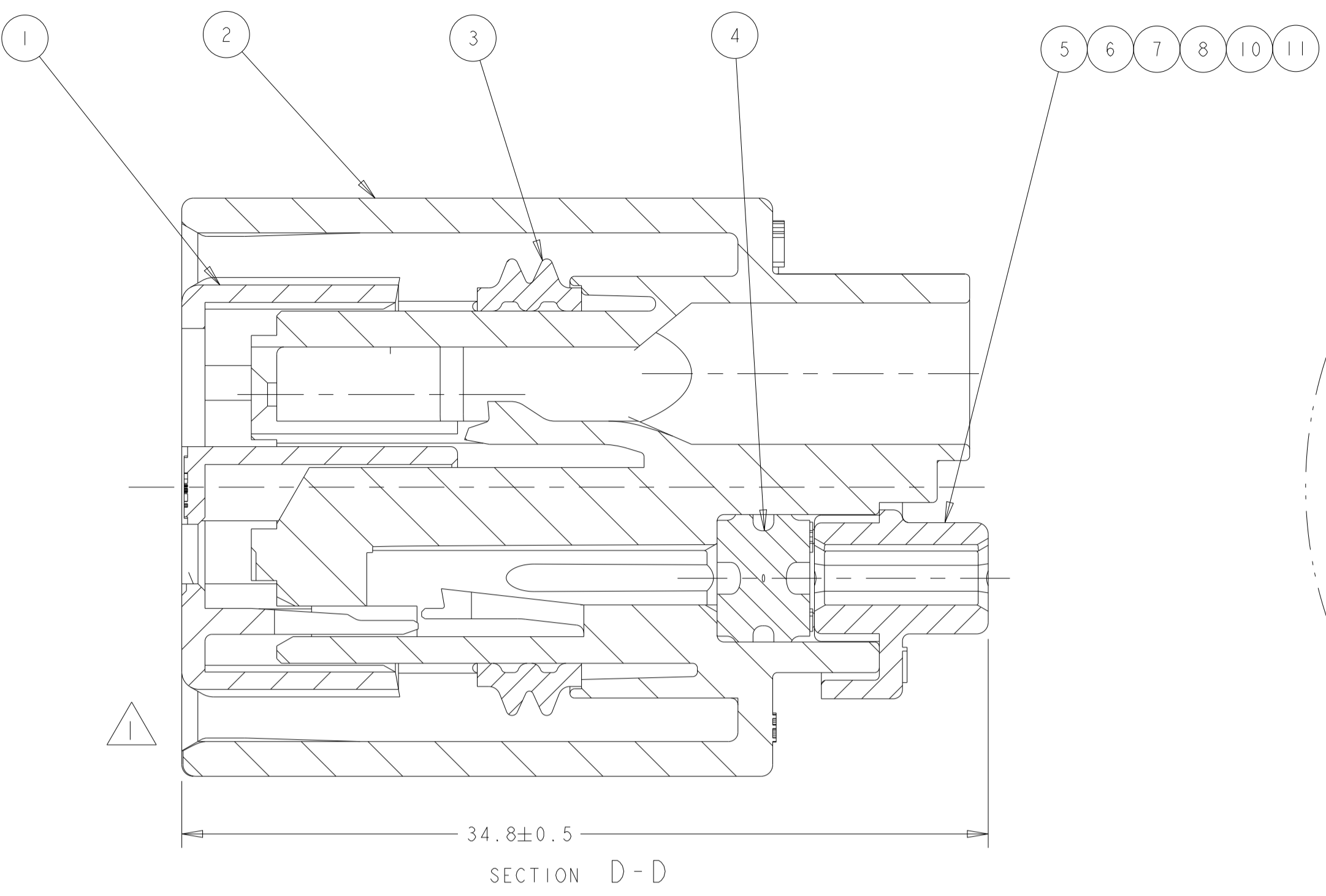
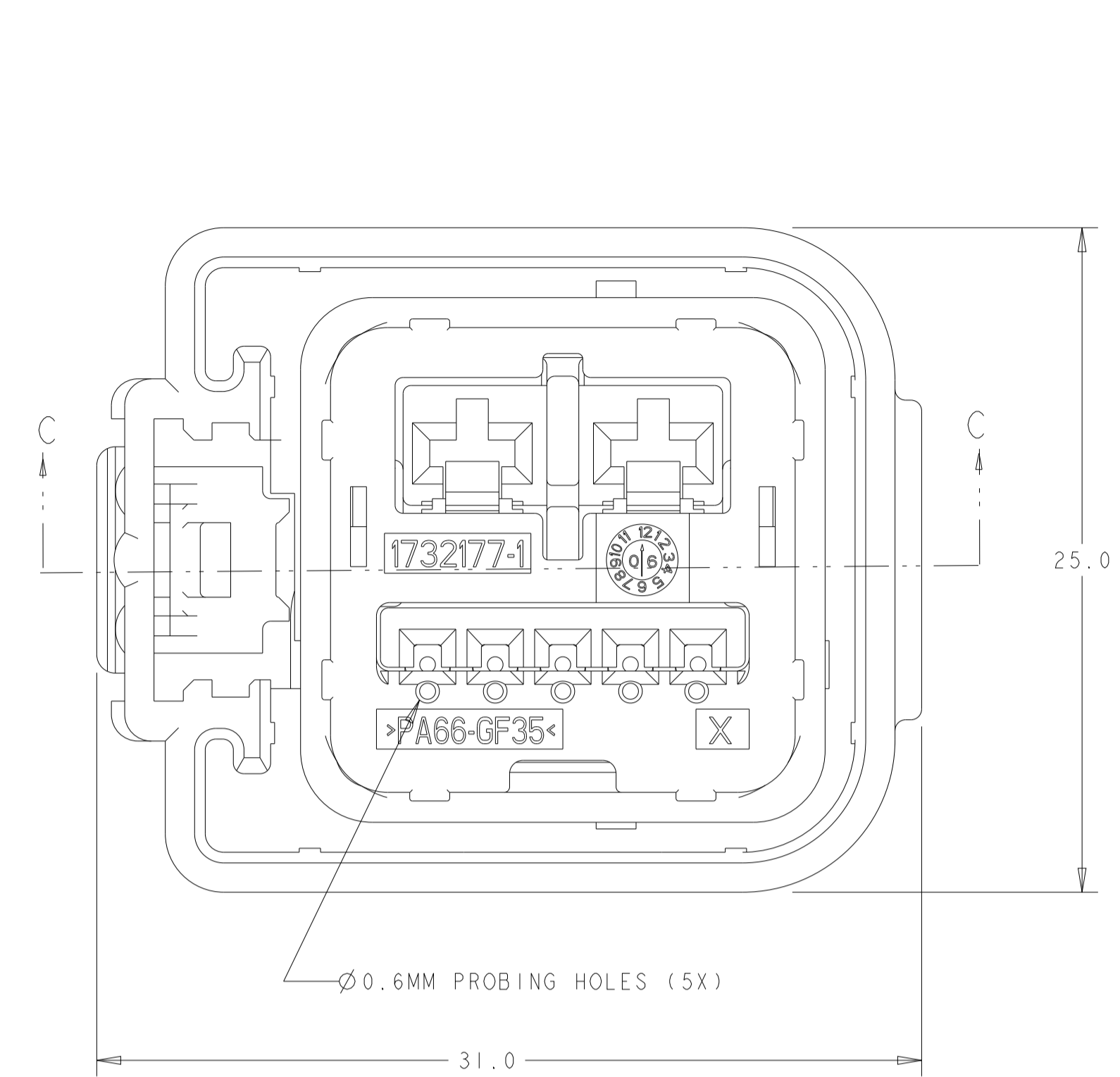
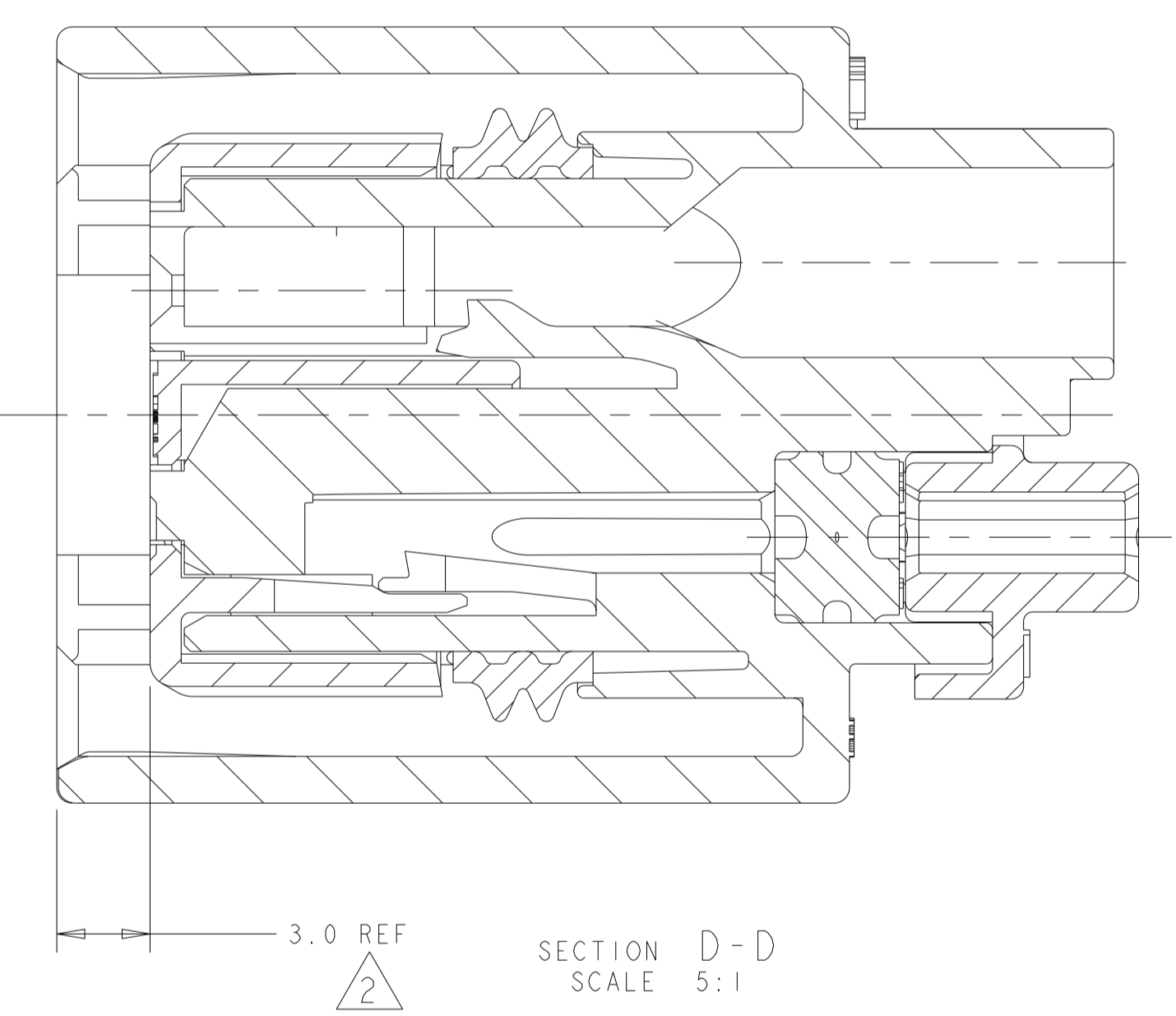


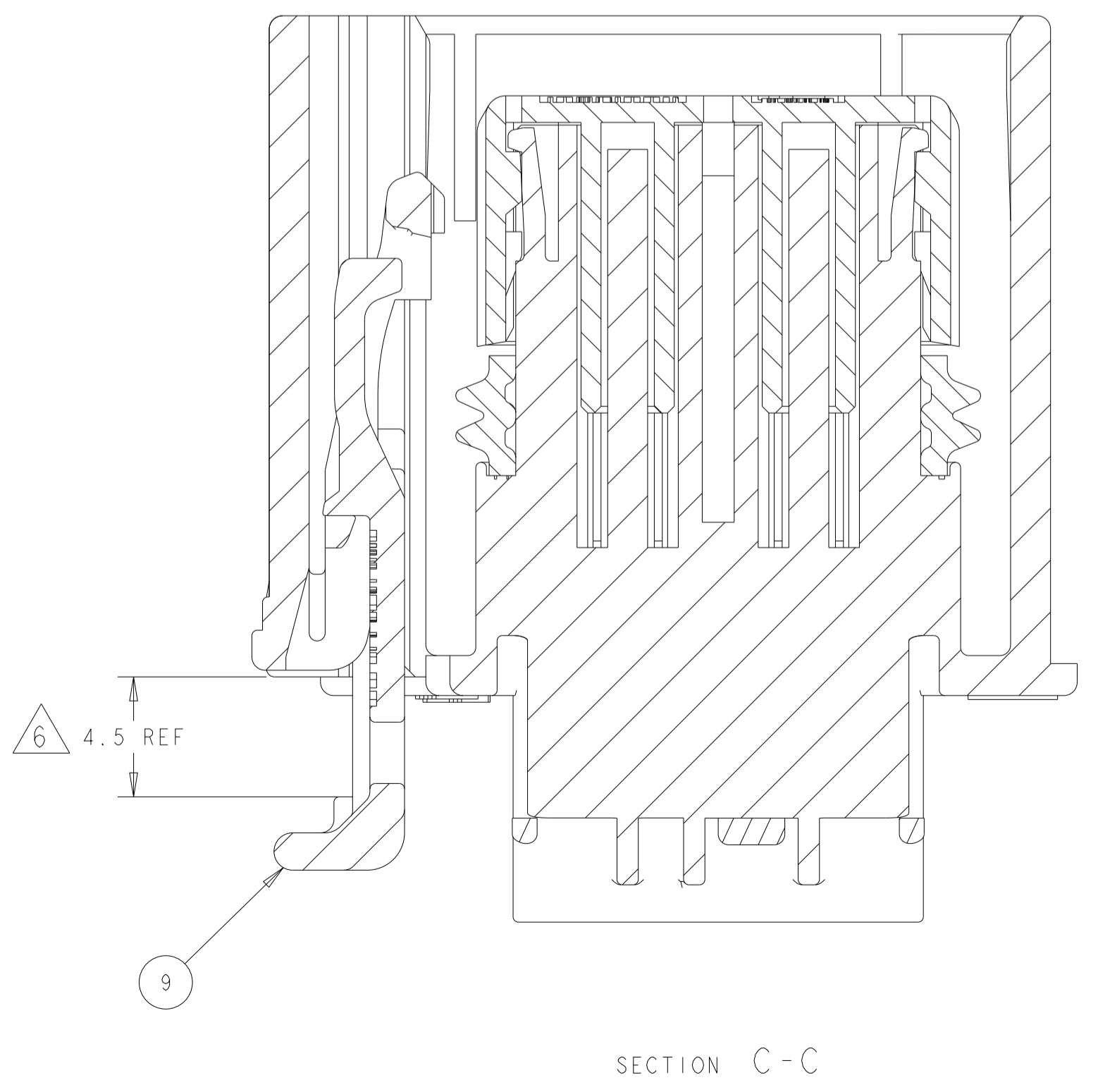
REVISIONS				
P	LTN	DESCRIPTION	DATE	APPD
B6		REVISED PER ECO-15-015696	01DEC2015	DD CS
B7		REVISED PER ECO-16-018424	21DEC2016	DD CS
B8		REV PER ECN-22-189117	15DEC2022	SMR CS



- 1. CONDITION AS SUPPLIED: TPA IN PRE-LOCKED POSITION
- 2. TPA IN LOCKED POSITION AS SHOWN. TRAVEL DISTANCE 3 REF.
- 3. MATES WITH USCAR INTERFACE 999-S-007-2-A01.
- 4. MARKING ON COVER.
- 5. APPLICABLE INSTRUCTION SHEET: 408-10106.
- 6. OPTIONAL CPA IN PRE-LOCKED POSITION.



1	2	3	4	5	6	7	TE PN	MARKING ON COVER
				X			I-1732175-4	1732140-5
					X		I-1732175-2	1732140-3
	X				X	X	1732175-6	I-1732140-2
					X	X	1732175-5	1732140-6
				X			1732175-4	1732140-5
		X	X				1732175-3	1732140-4
						X	1732175-2	1732140-3
							1732175-1	1732140-2
CAVITY NUMBERED X - INDICATES PLUGGED HOLE							TE PN	MARKING ON COVER
BLANK CAVITY INDICATES OPEN HOLE								4



APPLICABLE COMPONENTS (REF)				WIRE SIZE AWG (OR METRIC EQUIVALENT)	MATERIAL
DESCRIPTION	COLOR/PLATING	SUPPLIER	TE PN		
TERMINAL 064	TIN	TE	2035334-1	20-22	C5111 CuSn4
TERMINAL 064	TIN	TE	2035334-2	18	C5111 CuSn4
TERMINAL 2.8	TIN	TE	1326032-2	20	C64760
TERMINAL 2.8	TIN	TE	1326032-3	18	C64760
TERMINAL 2.8	TIN	TE	1326032-4	16	C64760
TERMINAL 2.8	TIN	TE	1326032-5	14	C64760
TERMINAL 2.8	TIN	TE	1326032-6	12	C64760
CABLE SEAL 2.8	GREEN	YAZAKI	7158-3111-60	1.2-1.9 mm (WIRE O.D.)	
CABLE SEAL 2.8	YELLOW	YAZAKI	7158-3112-70	1.8-2.3 mm (WIRE O.D.)	
CABLE SEAL 2.8	WHITE	YAZAKI	7158-3113-40	2.1-3.0 mm (WIRE O.D.)	
CABLE SEAL 2.8	LT GRAY	YAZAKI	7158-3110-40	3.1-3.3 mm (WIRE O.D.)	

1	2	3	4	5	6	7	DESCRIPTION	MATERIAL	COLOUR	ITEM NO.	
-	-	I	-	-	-	-	COVER1--2	>PA66-GF35<	BLACK	11	
-	-	-	I	-	-	-	COVER-6	>PA66-GF15<	BLACK	10	
I	I	-	-	-	-	-	CPA	>PA66-GF15<	RED	9	
I	-	-	-	I	-	-	COVER-5	>PA66-GF35<	BLACK	8	
-	-	-	-	I	-	-	COVER-4	>PA66-GF35<	BLACK	7	
-	I	-	-	-	I	-	COVER-3	>PA66-GF35<	BLACK	6	
-	-	-	-	-	-	I	COVER-2	>PA66-GF35<	BLACK	5	
I	I	I	I	I	I	I	GROMMET	SILICONE RUBBER	ORANGE	4	
I	I	I	I	I	I	I	SEAL	SILICONE RUBBER	BLUE	3	
I	I	I	I	I	I	I	HOUSING	>PA66-GF35<	BLACK	2	
I	I	I	I	I	I	I	TPA	>PA66-GF35<	RED	1	
I--4	I--2	-6	-5	-4	-3	-2	-1	DESCRIPTION	MATERIAL	COLOUR	ITEM NO.

QTY PER ASSY

TE PN 1732175

THIS DRAWING IS A CONTROLLED DOCUMENT.

APPROVED: G. GOTO, 18MAY2006

DESIGNED: J. HUANG, 18MAY2006

CHECKED: J. DAWIDZIUK, 18MAY2006

NAME: ASSEMBLY, 2X5 SEALED, CONNECTOR

SIZE: A1, CAGE CODE: 100779, DRAWING NO: 1732175

SCALE: 5:1, SHEET: 1 OF 1, REV: B8

TE Connectivity