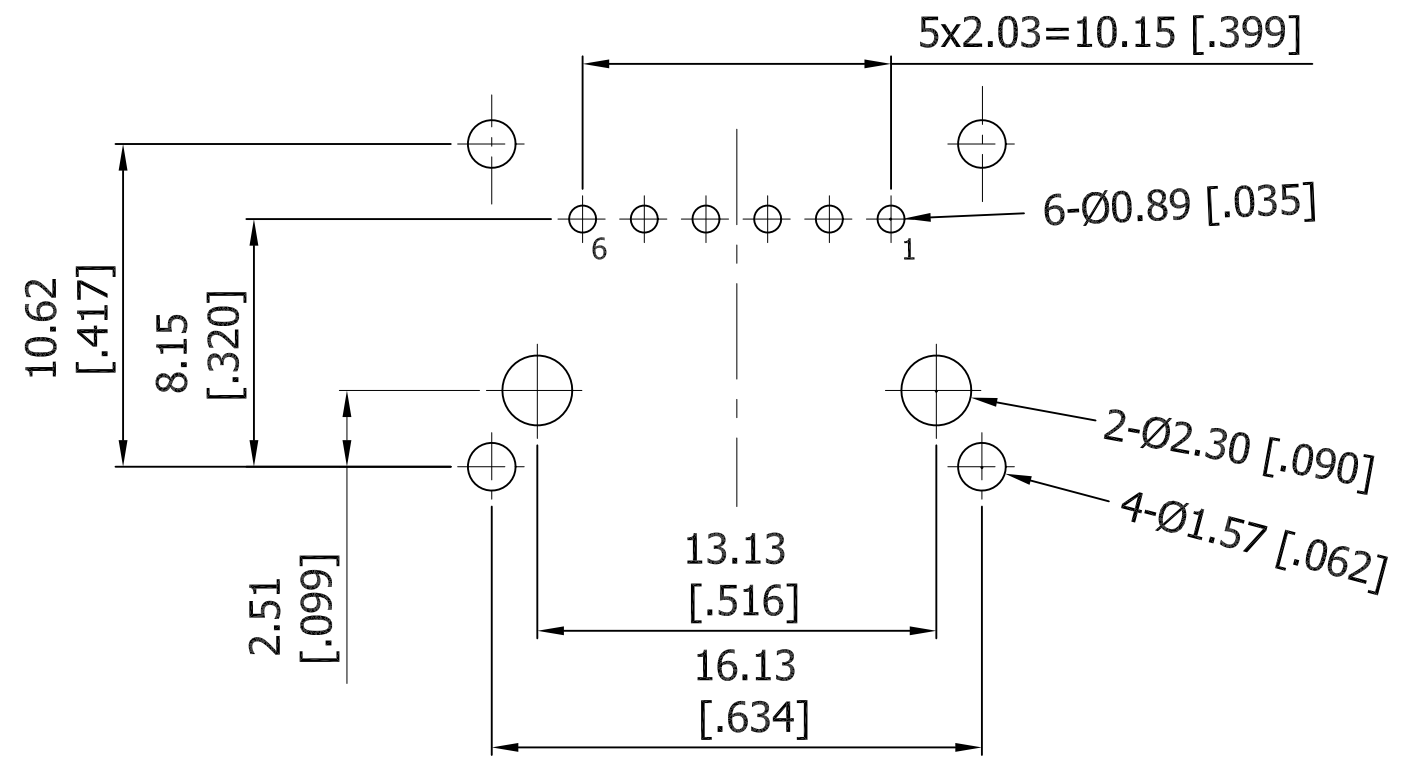
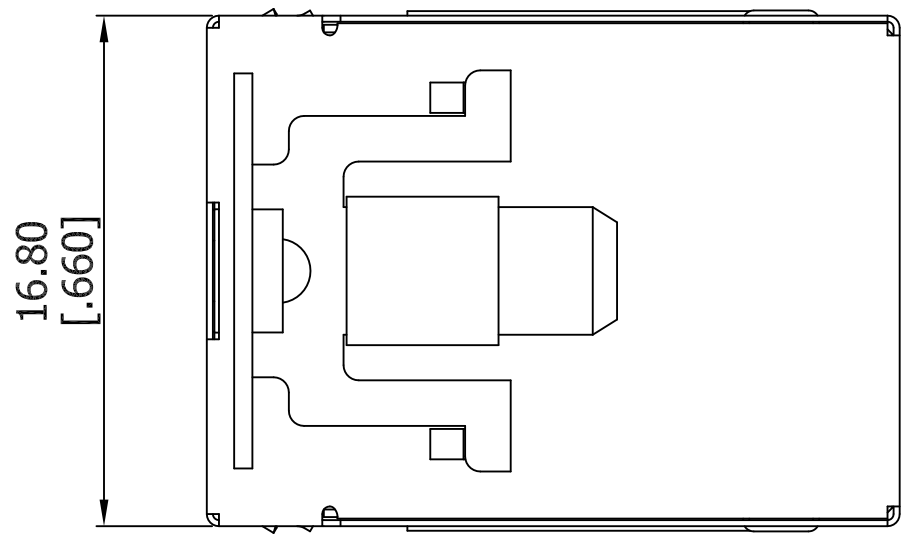
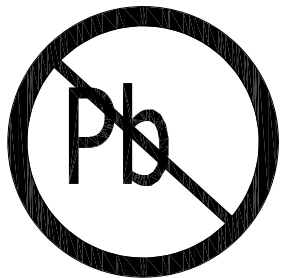
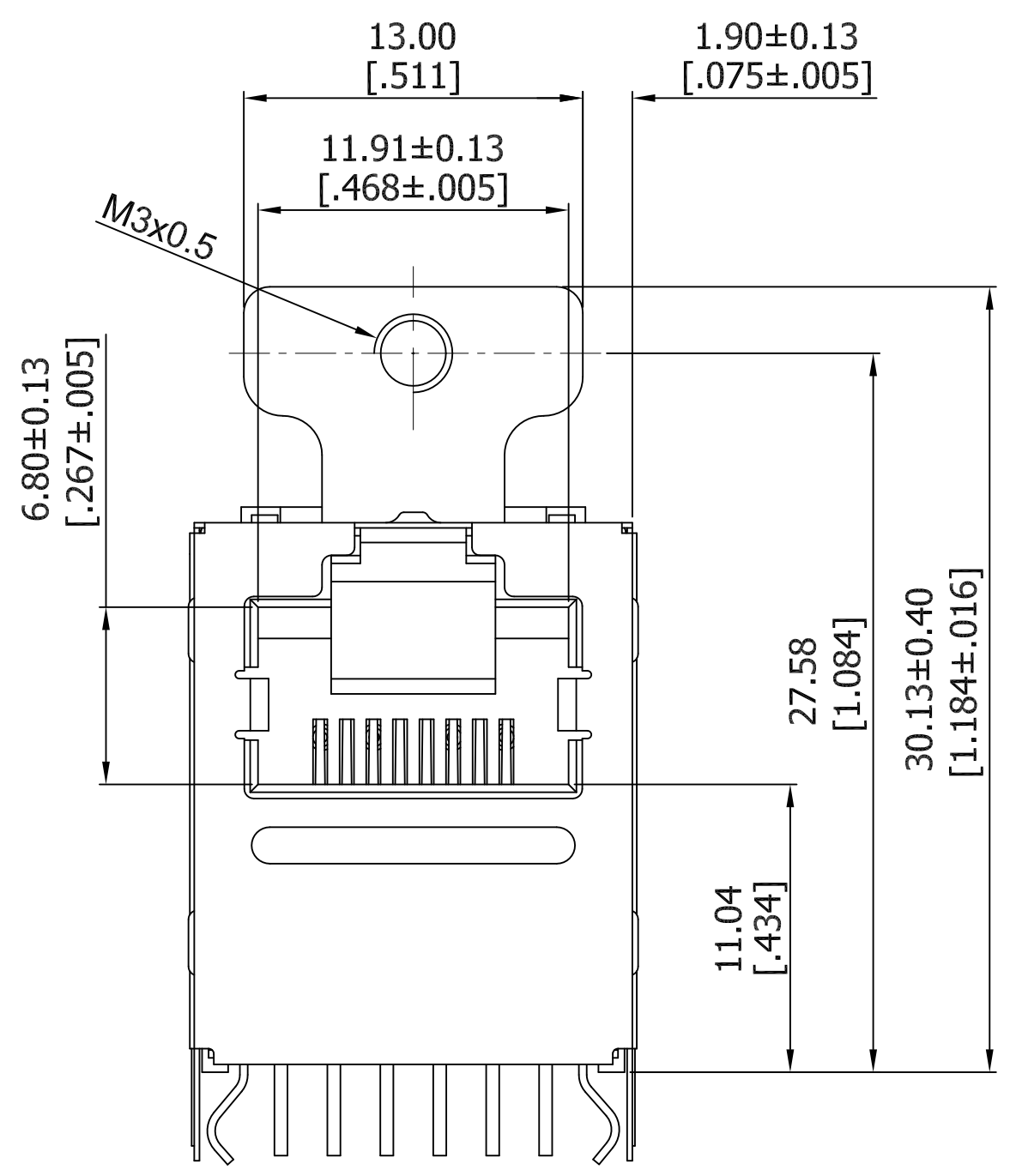
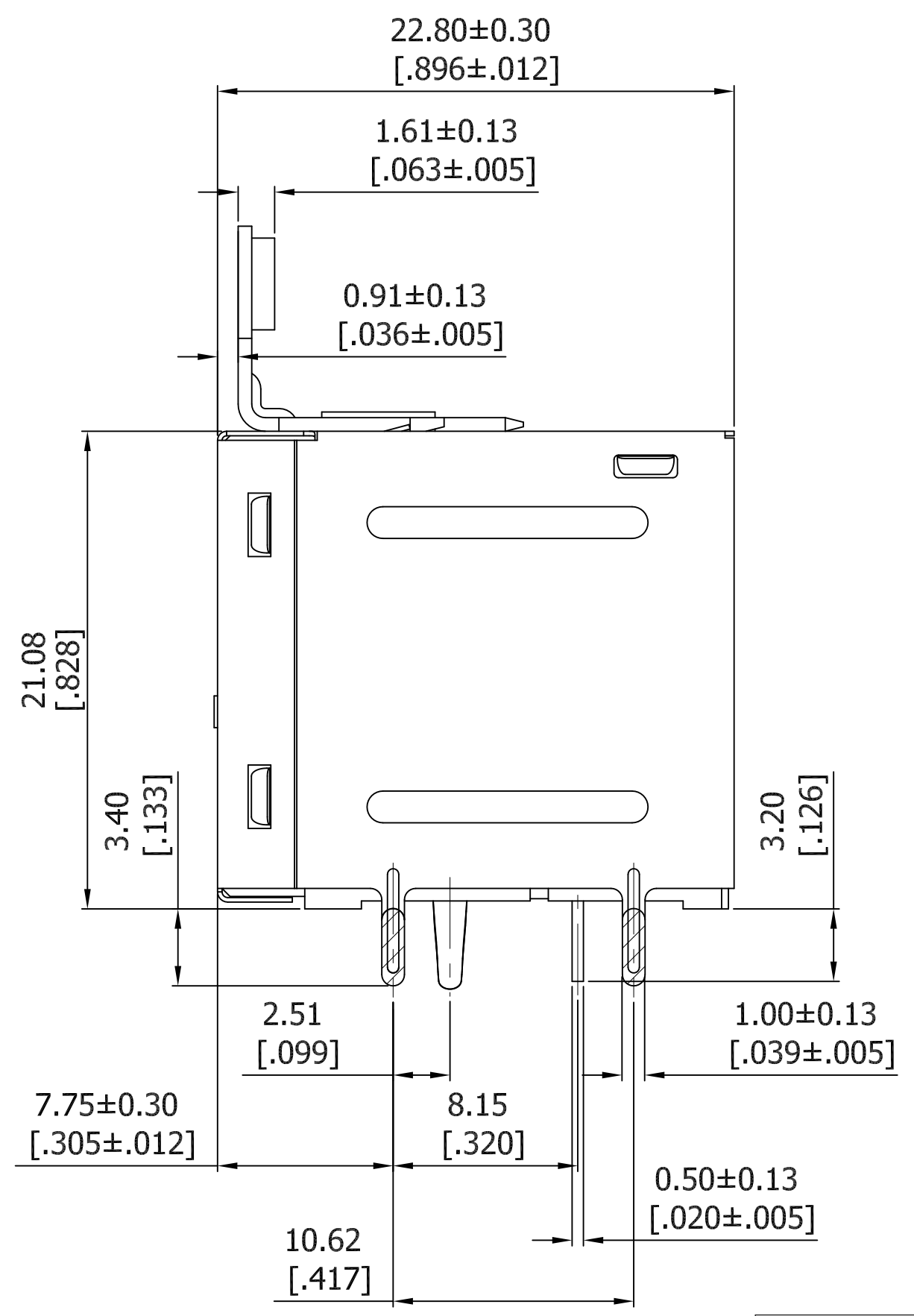
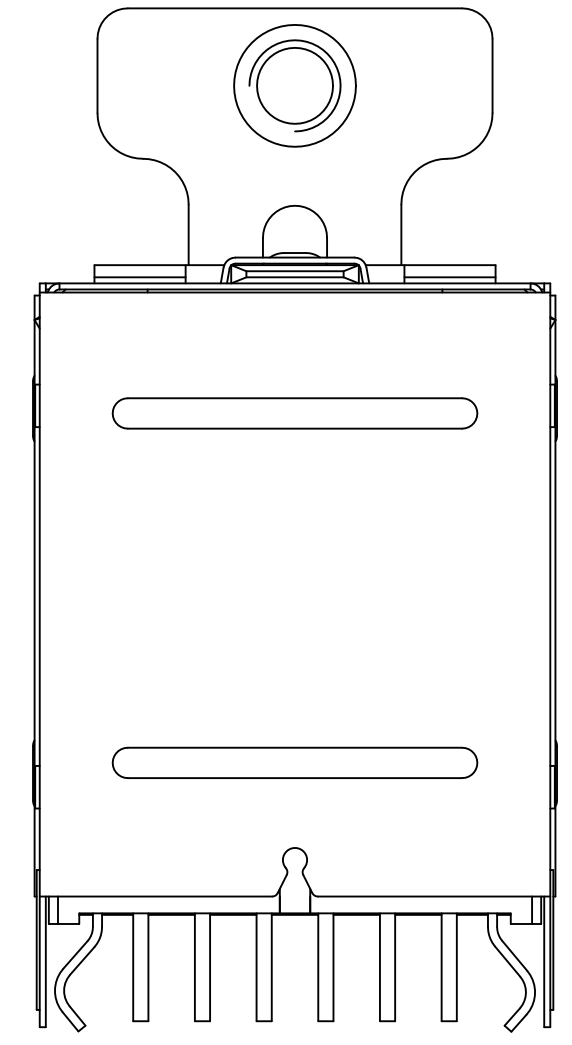


REVISIONS				
REV.	ECO. NO	DESCRIPTION	DATE	BY
A	2406	INITIAL RELEASE	08/01/2011	GC



RECOMMENDED PCB LAYOUT  
TOLERANCE: ±0.05 [.002]



RoHS COMPLIANT

UNLESS OTHERWISE SPECIFIED:  
DIMENSIONS ARE IN MM[INCHES]

TOLERANCES:  
.X=± 0.25 [.01]  
.XX=± 0.15 [.006]  
.XXX=± 0.10 [.0040]

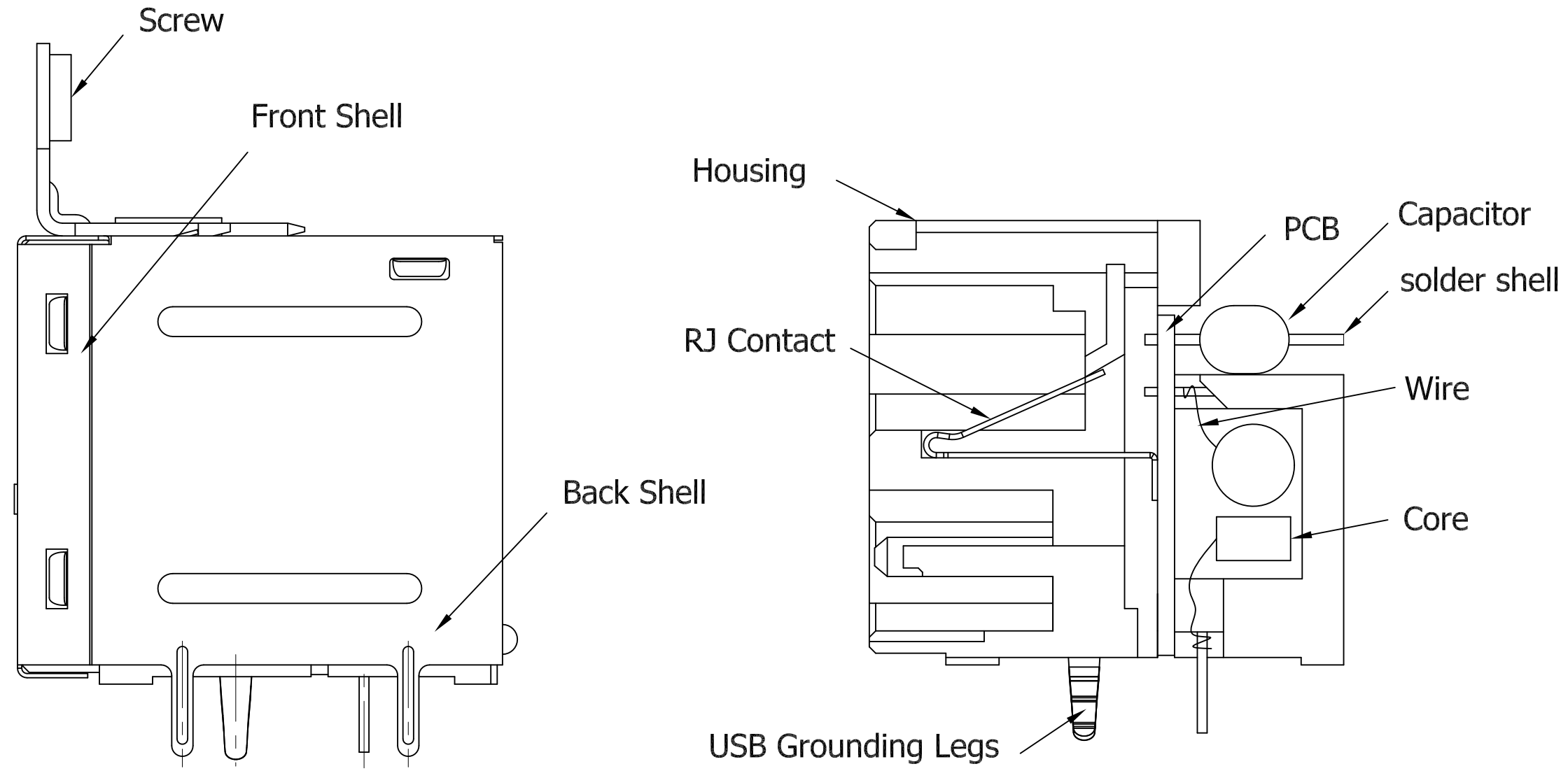
INTERPRET DIMENSIONS  
AND TOLERANCING  
PER: ASME Y14.5M-2009

DRAWN	DATE	NAME
	08/01/2011	GC
<small>THE INFORMATION HEREIN CONTAINS PROPRIETARY INFORMATION OF SULLINS ELECTRONICS AND IS NOT TO BE REPRODUCED, USED OR DISCLOSED TO OTHERS FOR ANY PURPOSE EXCEPT AS SPECIFICALLY AUTHORIZED IN WRITING BY AN OFFICER OF SULLINS ELECTRONICS.</small>		

<b>TITLE</b> SINGLE PORT RJ45, 10/100 BASE-T (WITHOUT USB)			
<b>PART NUMBER</b> SMJ201-S66C-DS-11			
SIZE	CAGE CODE	DWG. NO.	REV
C	54453	11825	A
SCALE: 4:1		SHEET 1 OF 2	

REVISIONS				
REV.	ECO. NO	DESCRIPTION	DATE	BY
A	2406	INITIAL RELEASE	08/01/2011	GC

**CONSTRUCTION:**

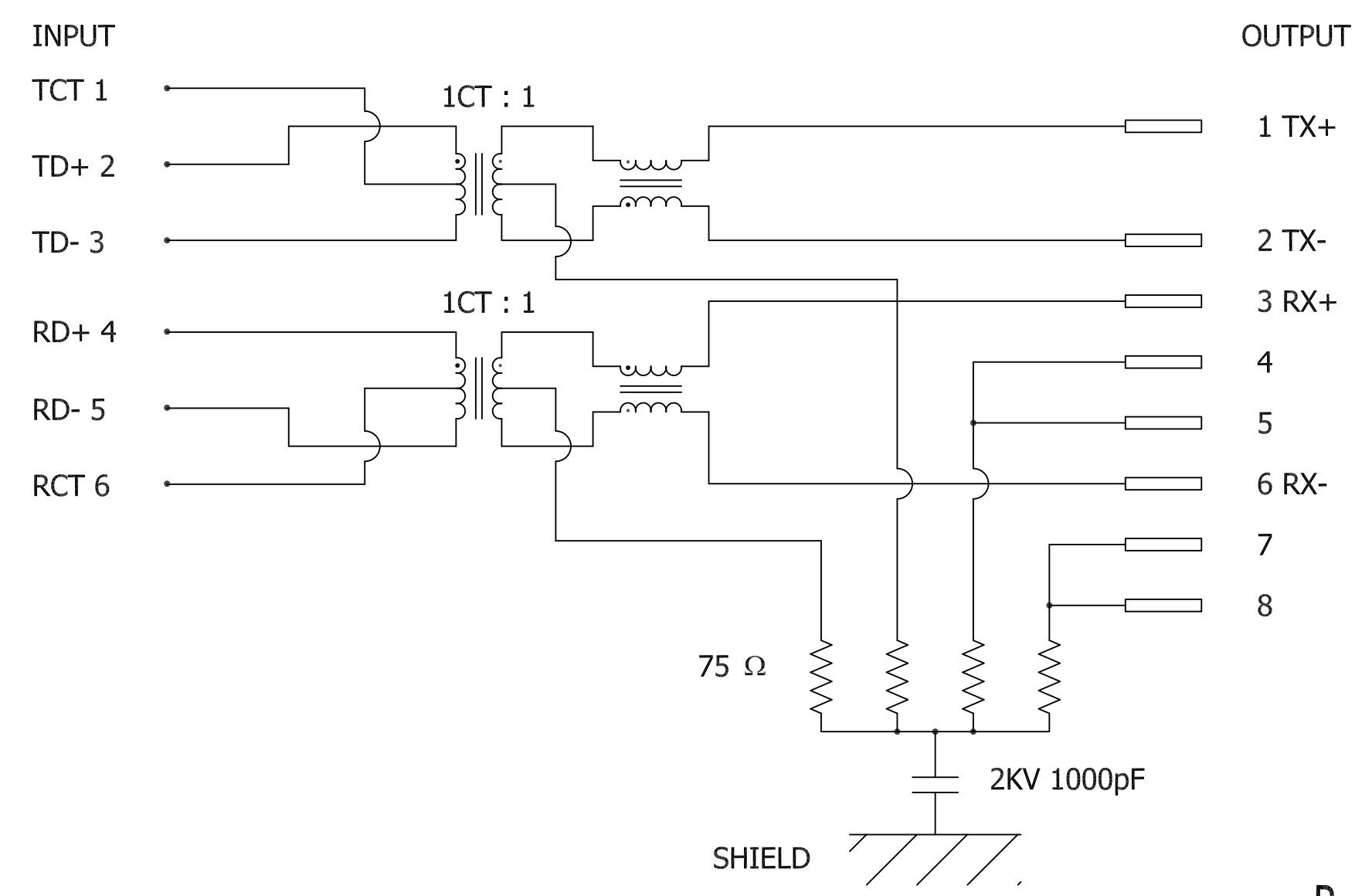


**NOTES:**

- Material:
  - Plastic Housing:
  - RJ Housing:PBT,UL94V-0 ,Black
  - Transformer Housing:Phenolic,UL94v-0 ,Black
  - Terminals:
    - RJ Contacts:0.25mm Thickness,Phosphor Bronze C5191H
    - RJ Solder pins:Ø0.46mm ,Phosphor Bronze C5191H
  - Shields:
    - Front Shield:0.20mm Thickness,SUS201
    - Back Shield:0.20mm Thickness,Brass C2680
  - USB Grounding legs:0.30mm Thickness,S50C
  - Screw Terminals:Steel Alloy
  - PCB:FR-4 Two layer PCB
- Plating
  - RJ Contact: .000050" min. Nickel underplate, .000030" Gold on contact surface
  - RJ Solder Pins: .000050" Nickel underplate, .000100" min. pure Tin Matte on termination.
  - Back Shield: .000030"~.000080" Nickel overall, Pre-soldering on grounding legs.
  - USB Grounding Legs: .000050" Nickel underplate, .000100" min. Tin over .
- RoHS Compliance per EU Directive 2002/95/EC
- Durability:1000 times
- Operating Temperature Range: 0°C TO +70°C
- Storage Temperature: -40°C to 85°C

**SCHEMATIC:**

**1.RJ45**

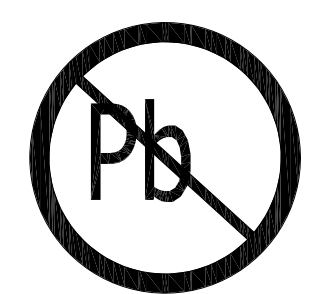


**Electrical Properties**

**1.Transmitter & Receiver Filter:**

Insertion Loss (dB Max)	Return Loss at 100W (dB Max)			
	1~100MHz	1~30MHz	30~60MHz	60~80MHz
-1.0	-18	-16	-12	

- Common Mode Rejection @ 1~100 MHz: -30dB MIN
- Cross Talk @ 1~100 MHz: -35dB MIN
- Inductance @ 100KHz/ 0.1V, 8mA DC BIAS: 350uH MIN
- HiPot Test: 1500Vrms, 60sec



**RoHS COMPLIANT**

UNLESS OTHERWISE SPECIFIED: DIMENSIONS ARE IN MM[INCHES]	DRAWN	DATE	NAME	
		08/01/2011	GC	
TOLERANCES: .X=± 0.25 [.01] .XX= ± 0.15 [.006] .XXX= ± 0.10 [.0040]	THE INFORMATION HEREIN CONTAINS PROPRIETARY INFORMATION OF SULLINS ELECTRONICS AND IS NOT TO BE REPRODUCED, USED OR DISCLOSED TO OTHERS FOR ANY PURPOSE EXCEPT AS SPECIFICALLY AUTHORIZED IN WRITING BY AN OFFICER OF SULLINS ELECTRONICS.			TITLE
	INTERPRET DIMENSIONS AND TOLERANCING PER: ASME Y14.5M-2009			SINGLE PORT RJ45, 10/100 BASE-T (WITHOUT USB)
				PART NUMBER
				SMJ201-S66C-DS-11
SIZE	CAGE CODE	DWG. NO.	REV	
C	54453	11825	A	
SCALE: 4:1		SHEET 2 OF 2		