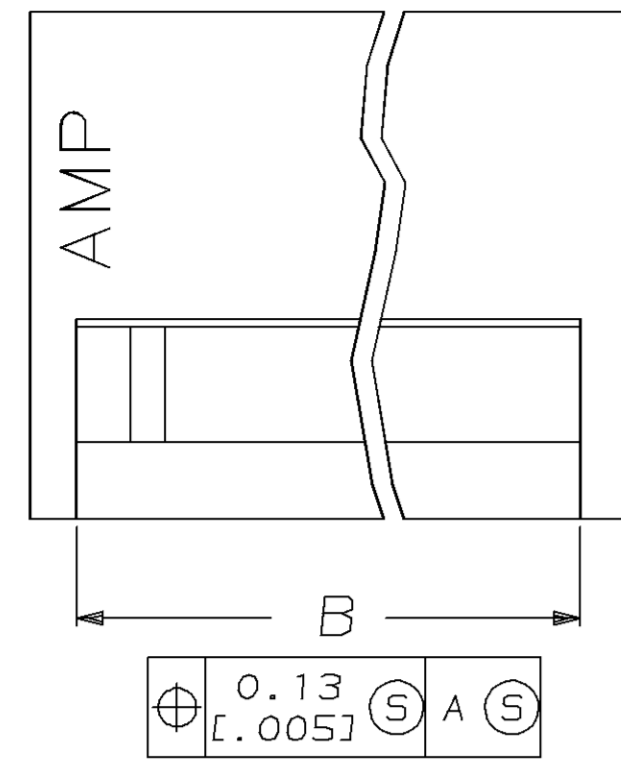
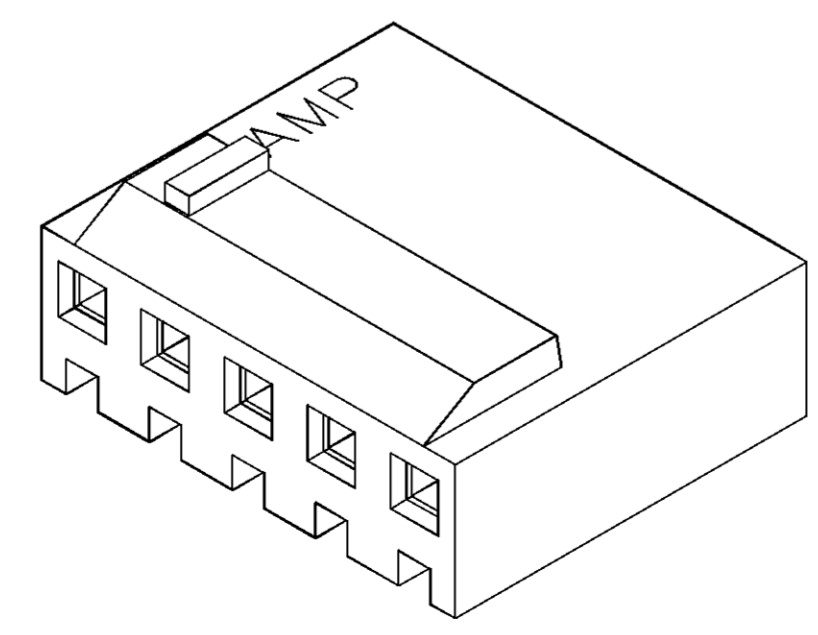
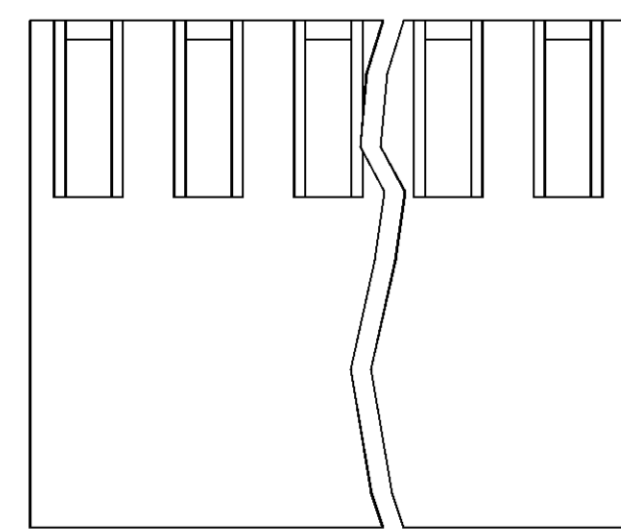
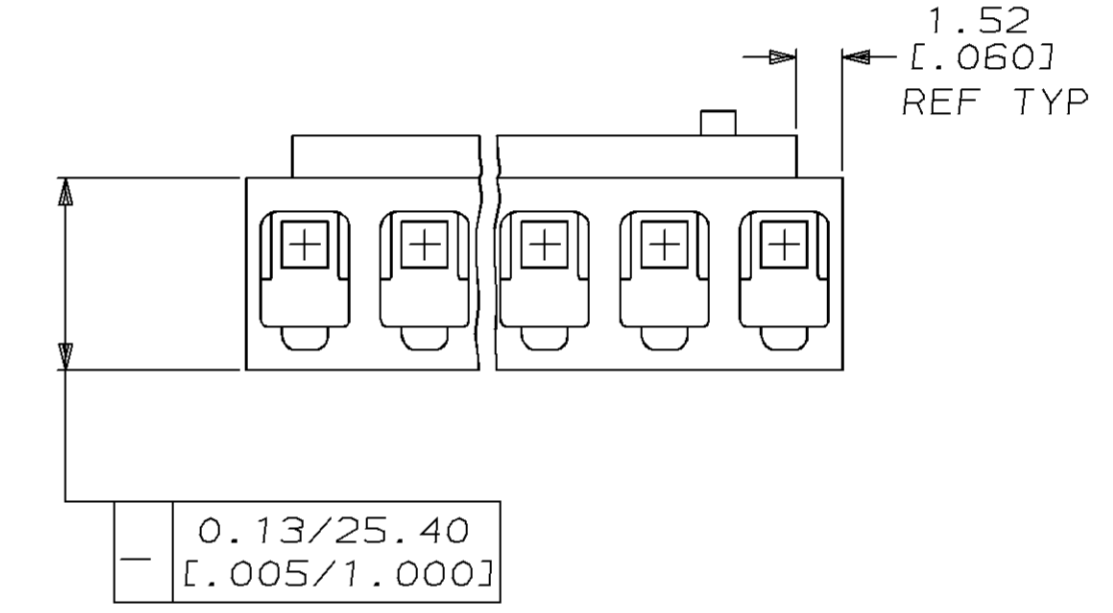
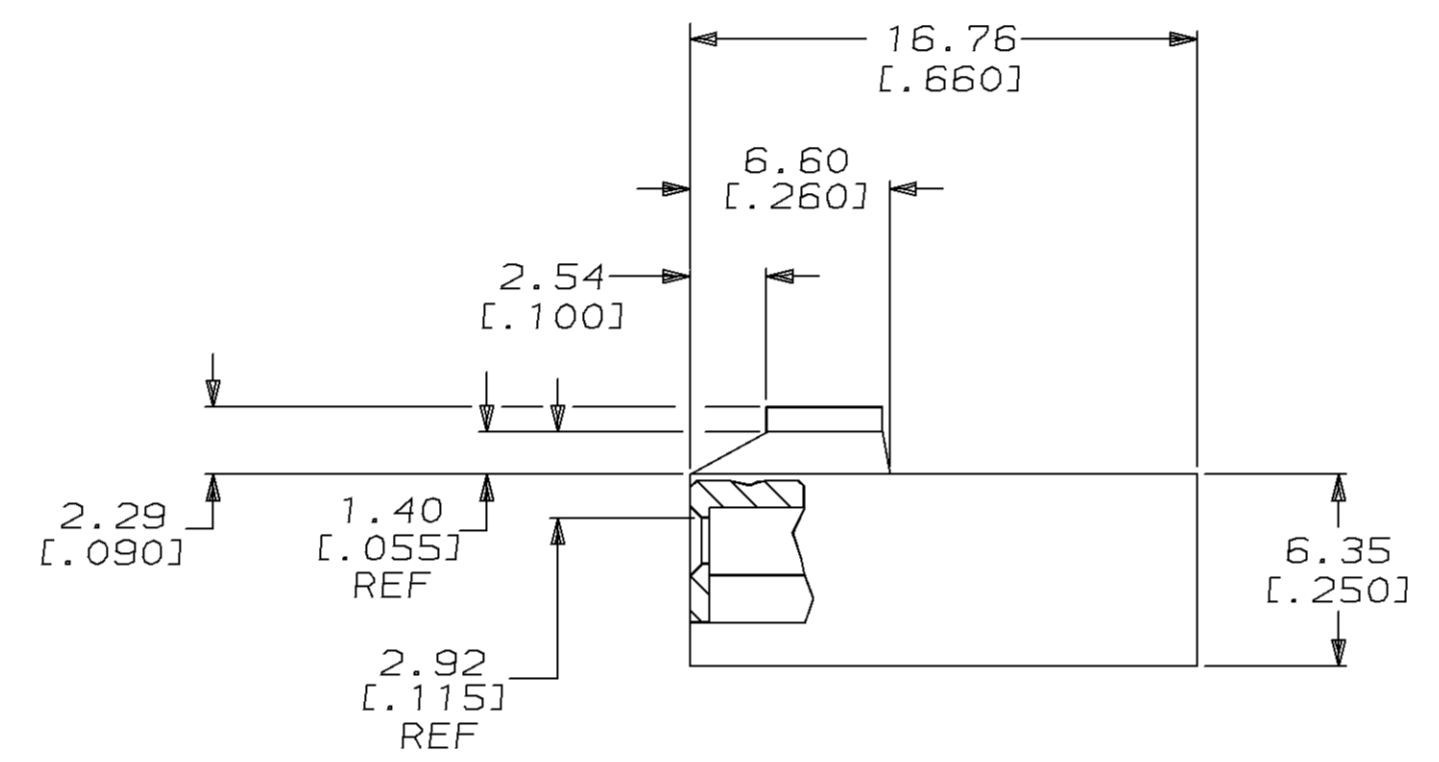
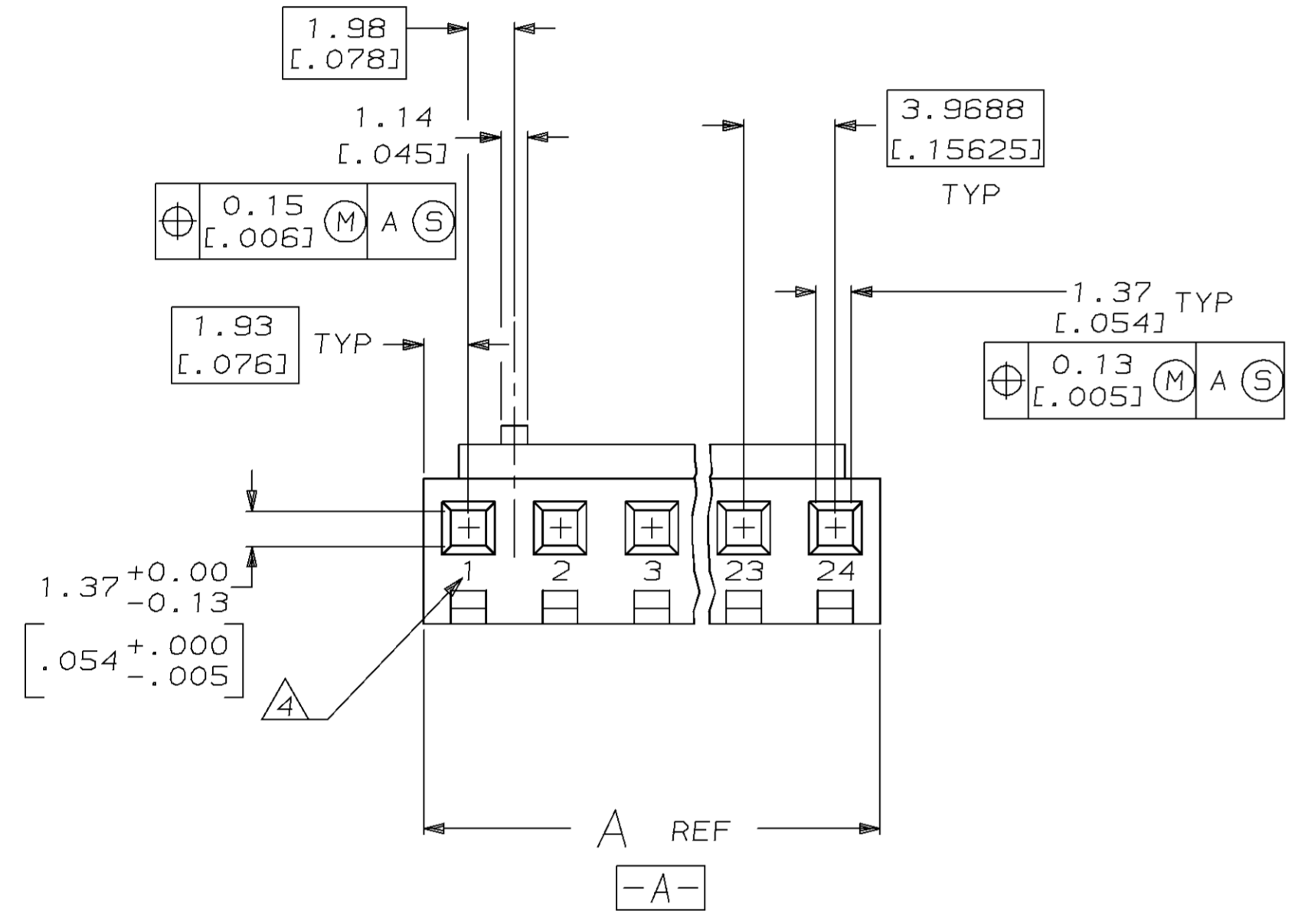


LOC		DIST		P		F		ZONE		LTR		REVISIONS		DATE	APPD
CM	54												DESCRIPTION	3-12-96	JH
													RLSD-5 & REV PER EC 0730-0049-96		RS



1. UNIT ACCEPTS 1.14 [.045] SQUARE OR ROUND POST.
2. UNIT ACCEPTS STANDARD SL-156 CONTACTS.
3. UNIT ACCEPTS KEYING PLUG 640254-1 AND KEYING PIN 640255-1.
4. CIRCUIT ID NUMBERS.
5. DIMENSIONS IN BRACKETS ARE IN INCHES.



3-DIMENSIONAL MODEL NTS



19.74 [.777]	16.66 [.656]	5	770896-5
12.70 [.500]	15.77 [.621]	4	770896-4

B		A		NO. OF CIRCUITS	PART NO
DO NOT SCALE PRINT. UNLESS SPECIFIED DIMENSIONS IN mm [INCHES] TOLERANCES ON:		DR 2-25-92 K. SALMON		AMP Incorporated Harrisburg, PA 17105-3608	NAME HOUSING WITH .260 LOCKING RAMP AND A TAB, SL-156
2 PLC DEC ± -		CHK 2-25-92 R. SWING			
3 PLC DEC ± 0.13 [.005]		APPD 2-25-92 E. BEILES			
MATERIAL NYLON, UL 94V-0 NATURAL		PRODUCT SPEC		DRAWING NO 770896	
FINISH		APPLICATION SPEC		SIZE D	CAGE CODE 00779
WEIGHT		SCALE 4:1		SHEET 1 OF 1	