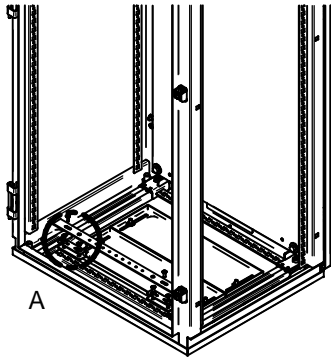


GRDBAR- SERIES

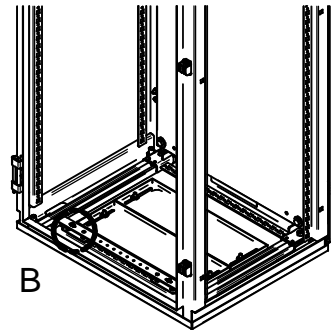
BUL10415

REV. A

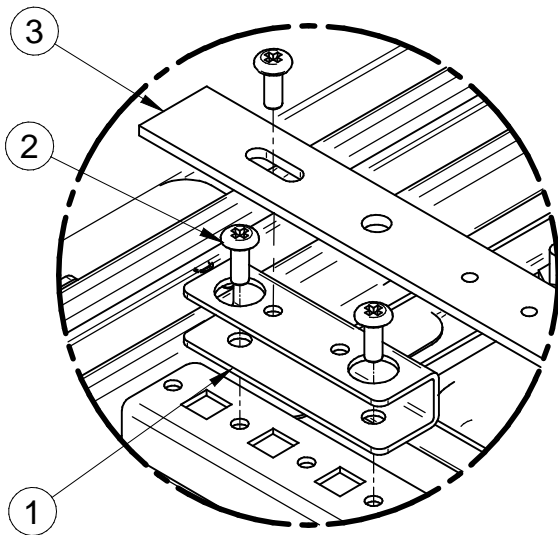
ASSEMBLY INSTRUCTIONS FOR GRDBAR - HME GROUND BAR



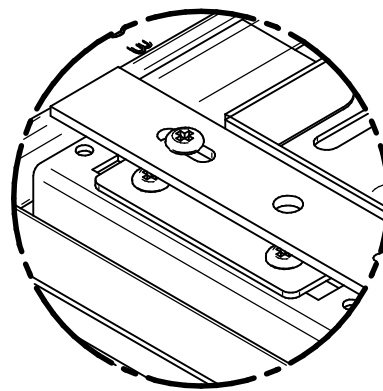
A



B



DETAIL A
TYP
BOTH SIDES



DETAIL B
TYP
BOTH SIDES

INSTRUCTIONS:

A) ALIGN SPACER BRACKETS (ITEM#1) TO ROUND HOLES IN FRAME AS SHOWN (SECOND HOLE FROM EDGE), (SEE DETAIL A).

B) SECURE BRACKETS TO FRAME USING SCREWS (ITEM #2).

C) ALIGN HORIZONTAL GROUND BAR (ITEM#3) TO ROUND HOLES IN SPACER BRACKET AS SHOWN AND SECURE USING SCREWS.

****NOTE: GROUND BAR CAN BE MOUNTED LEFT TO RIGHT AT THE FRONT OR REAR OF THE FRAME****

ITEM	DESCRIPTION	QTY
1	SPACER BRACKET	2
2	SCREW #12X1/2 PAN HEAD PH	6
3	HORIZ. GROUND BAR	1

TOOL BOX



Phillips
Screw Driver



**HAMMOND
MANUFACTURING™**
www.hammondmfg.com