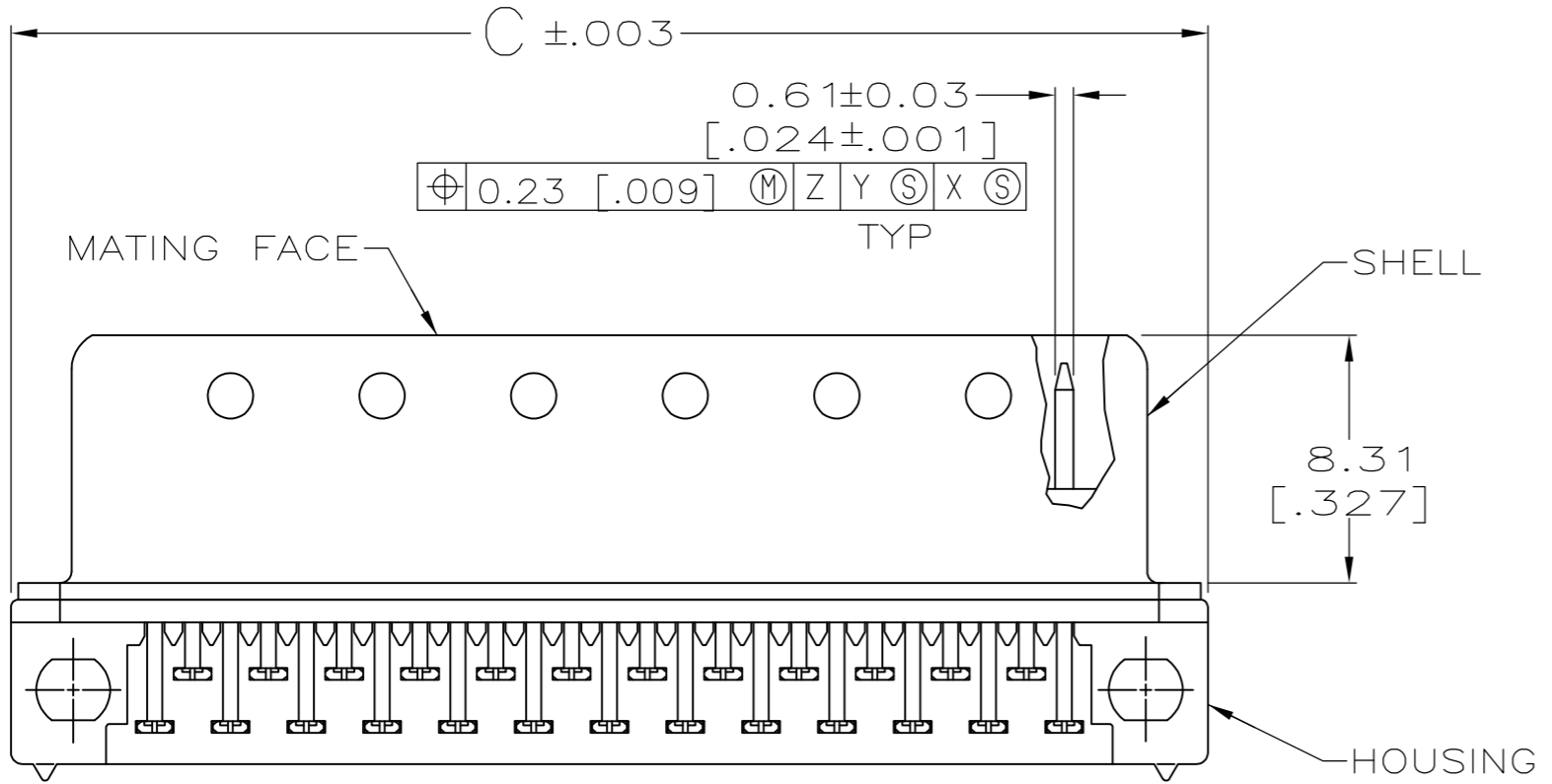
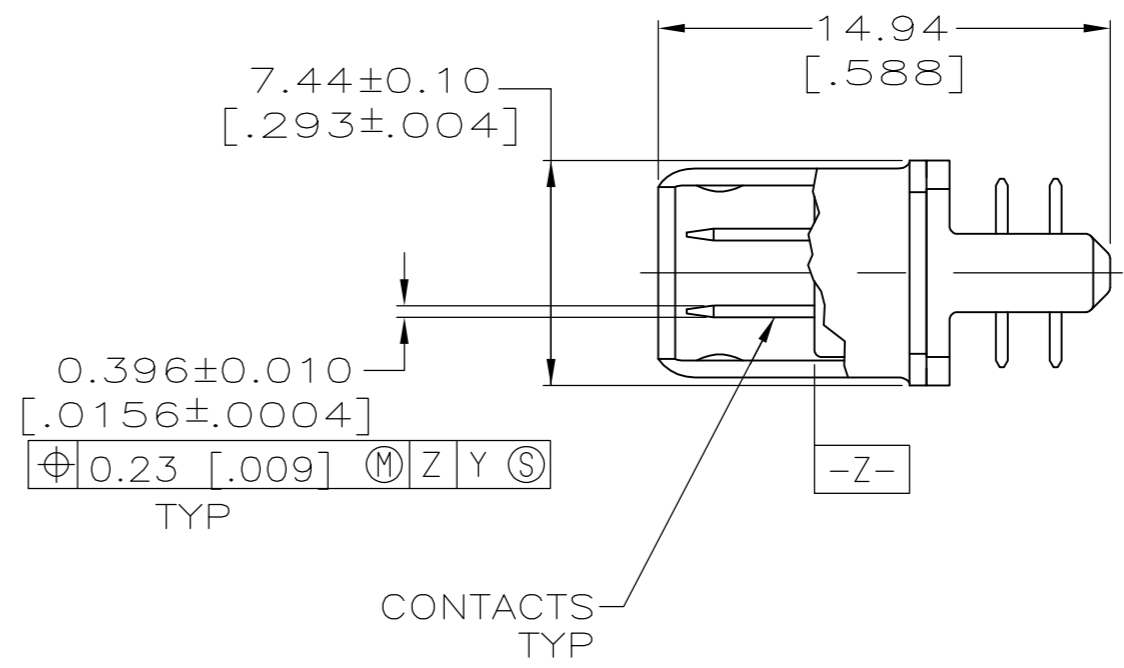
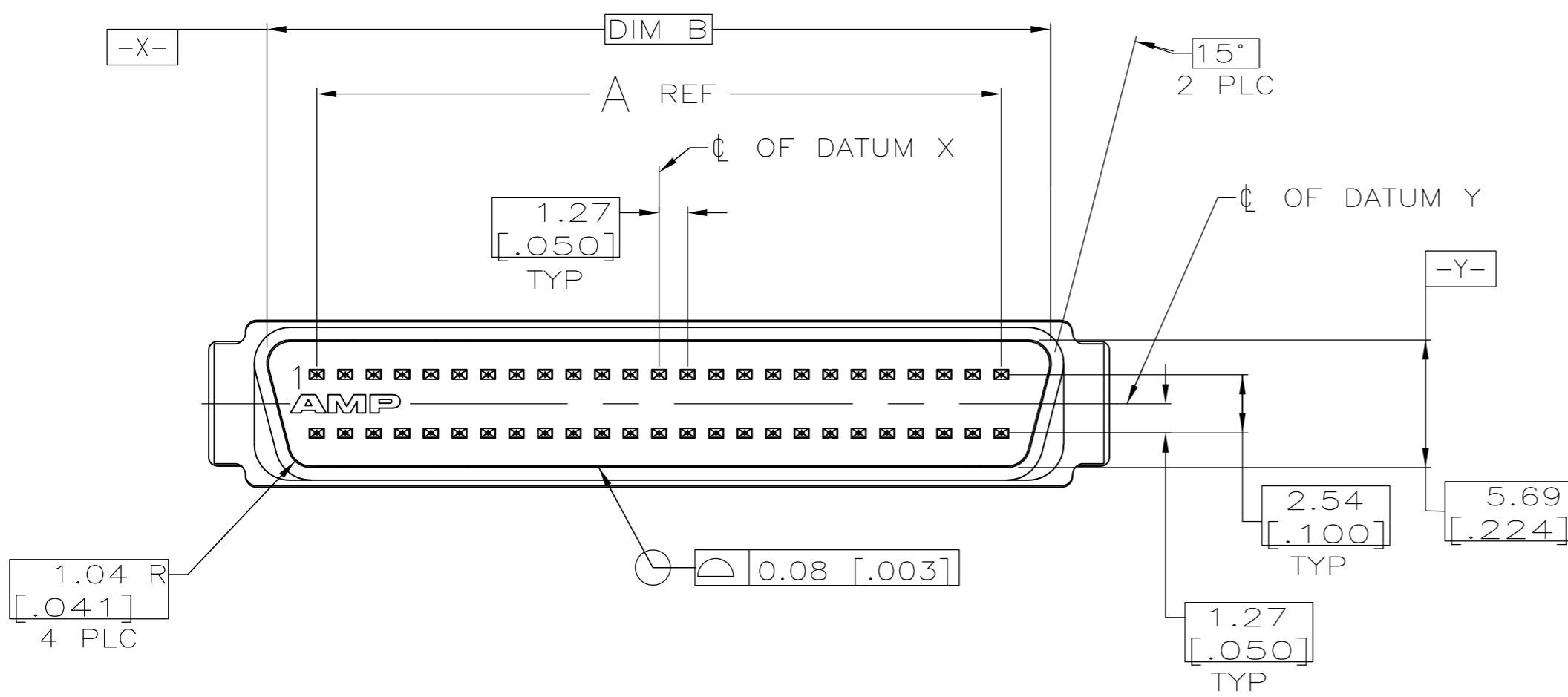


THIS DRAWING IS UNPUBLISHED. RELEASED FOR PUBLICATION  
 © COPYRIGHT BY TYCO ELECTRONICS CORPORATION. ALL RIGHTS RESERVED.

LOC		DIST		REVISIONS			
P	LTR	DESCRIPTION		DATE	DWN	APVD	
GP	00	E		REVISED PER ECO-09-013070	6JUN2009	ZMR	SLB



- MATERIAL**  
 CONTACTS: PHOSPHOR BRONZE.  
 SHELL: CARBON STEEL.  
 HOUSING: NYLON OR POLYESTER, UL 94V-0 RATED, BLACK.
- FINISH**  
 CONTACTS: EITHER 0.76µm [.000030] MIN GOLD PLATE OR GOLD FLASH OVER PALLADIUM NICKEL PLATE 0.76µm [.000030] MIN TOTAL FOR A LENGTH OF 3.35 [.132] MIN FROM MATING END, 1.27µm [.000050] MIN TIN-LEAD ON OPPOSITE END, BOTH OVER 1.27µm [.000050] MIN NICKEL.  
 SHELL: 0.25µm [.000010] MIN TIN-NICKEL OVER 3.81µm [.000150] MIN NICKEL OVER 2.54µm [.000100] MIN COPPER.
- RECOMMENDED WIRE: 28 AWG OR 30 AWG, SOLID OR 7 STRAND, WITH A 0.74-0.91 [.029-.036] INSULATION DIAMETER. WIRE MUST BE APPROVED BY AMP INCORPORATED.

OBSOLETE	24.87 [.979]	19.61 [.772]	15.24 [.600]	26	749110-2
	40.11 [1.579]	34.85 [1.372]	30.48 [1.200]	50	749110-1
	C	B	A	NO OF POSN	PART NUMBER

THIS DRAWING IS A CONTROLLED DOCUMENT.		DWN	L.SIPE	12/13/91	Tyco Electronics Corporation Harrisburg, PA 17105-3608
DIMENSIONS: mm [INCHES]		CHK	R.STONE	12-19-91	
TOLERANCES UNLESS OTHERWISE SPECIFIED:		APVD	-	-	NAME
0 PLC ± - 1 PLC ± - 2 PLC ± 0.13 [.005] 3 PLC ± - 4 PLC ± - ANGLES ± -		PRODUCT SPEC	108-1228	APPLICATION SPEC	PLUG SUBASSEMBLY, AMPLIMITE .050 SERIES
MATERIAL	FINISH	WEIGHT	114-40029	SIZE	CAGE CODE
1	2	-	-	A2	00779
CUSTOMER DRAWING		SCALE	4:1	SHEET	1 OF 1
		REV	E		