

ARCA 504021 No MP



Sample image

Order symbol: ARCA 504021 No MP

EAN: 6418074089366

Product nbr: 8120011N

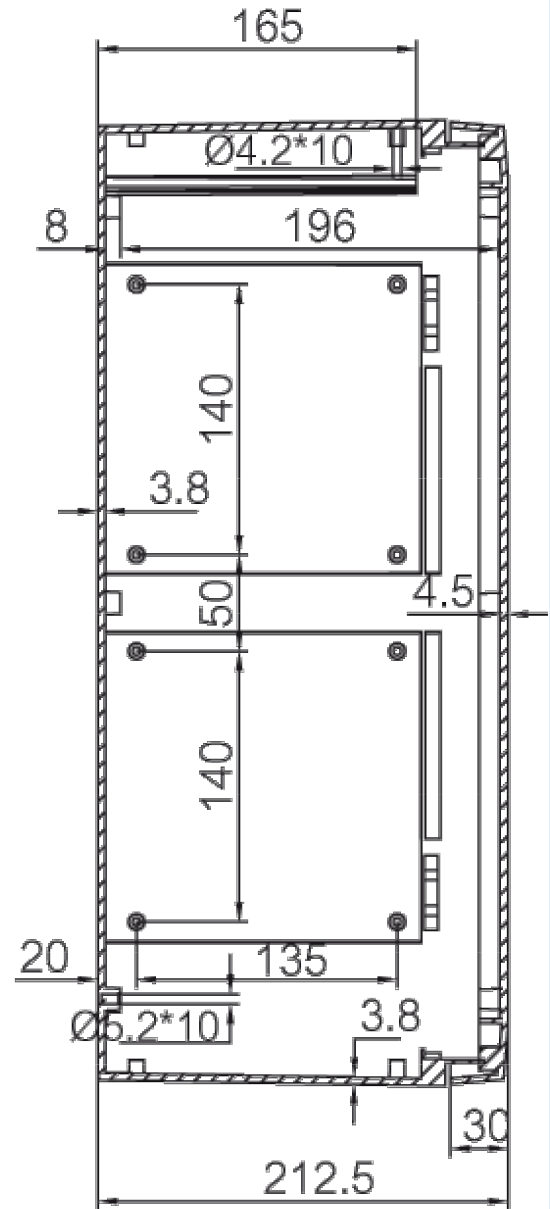
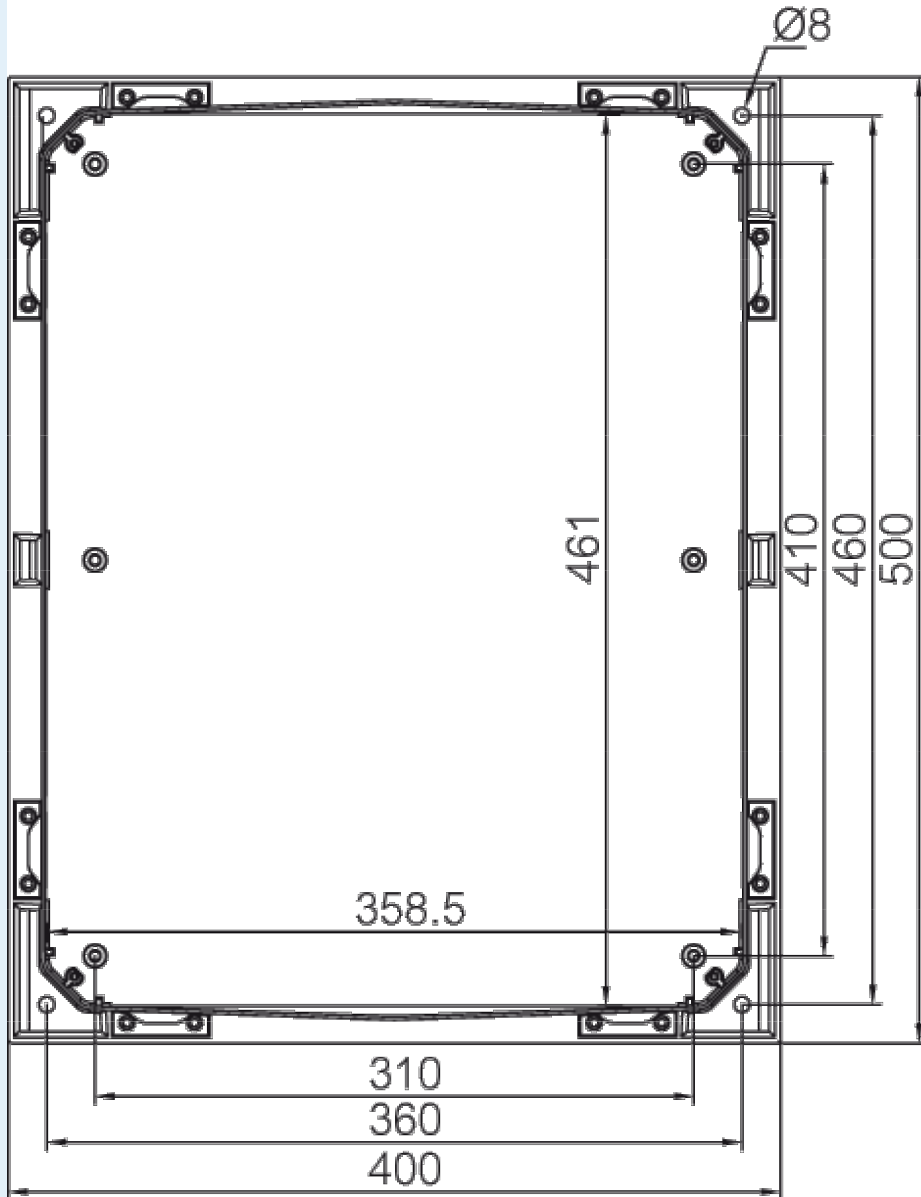
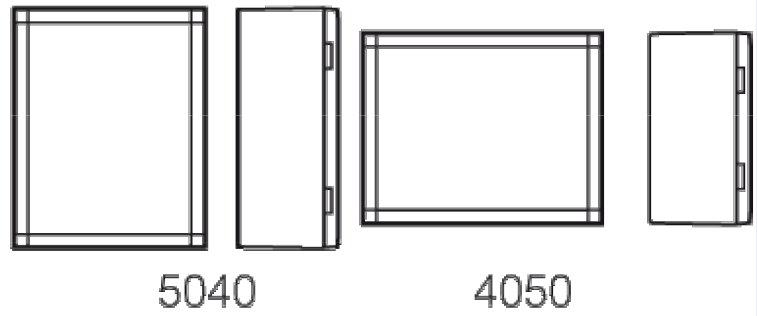
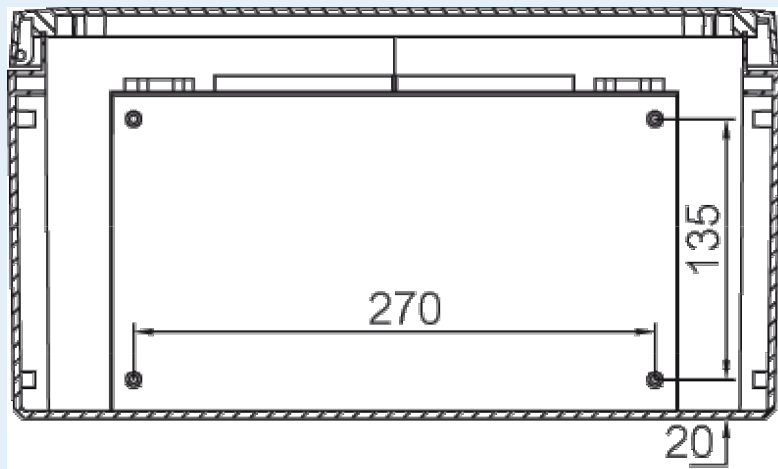
El. number:

Description: Cabinet. PC

- Finland:
- Denmark:
- Sweden:

Remarks: Grey cover. 2-point locking. hinges on the long side

Including: Cabinet base. door with PUR gasket. 3mm double bit lock(s) with key. S versions with swinghandle 2-point locking system. Door guide included.



504021

Dimensions:	Height	Width	Depth
mm:	500	400	210
inch:	19.69	15.75	8.58

Accessories:

- SBK ARCA 50 Support bar kit (435 x 40 x 30)
- IDS ARCA 5040 Inner door set (485 x 385 x 35)

Materials:

Material:	Polycarbonate
Base colour:	RAL 7035 -light grey
Cover colour:	RAL 7035 -light grey
Gasket material:	Polyurethane

Temperatures:

Temperature °C (short term)::	-40 ... 120
Temperature °C (continuous):	-40 ... 80
Temperature °F (short term):	-40 ... 250
Temperature °F (continuous):	-40 ... 175

MPX ARCA 5040	Mounting plate (450x350 mm) (450 x 350 x 5)
MPMP ARCA 5040	Mounting plate multiperforated (450x350x2 mm - ø3.6 mm) (450 x 350 x 2)
SBK ARCA 40	Support bar kit (340 x 40 x 30)
MPP ARCA 5040	Mounting plate perforated (450x350x2 mm - 26x11 mm) (450 x 350 x 2)
DRS ARCA 504021	DIN rail frame set (485 x 385 x 35)
PMK ARCA 40	PoleMounting kit. for pole ø100-300mm (385 x 285 x 35)
DSP ARCA VLS	Door stopper ARCA. vertical. left. small
MPS ARCA 5040	Mounting plate (450x350x2 mm) (450 x 350 x 2)
RCS ARCA 5040	Rain canopy set for size 5040 (20 x 400 x 30)
DSP ARCA VRS	Door stopper ARCA. vertical. right. small

Rating:

Ingress protection (EN 60529):	IP66;
Impact Resistance (EN 62262):	IK10;
Electrical insulation:	Totally insulated
Halogen free (DIN/VDE 0472, Part 815):	1
UV resistance:	UL 508
Flammability Rating:	UL 94 5VA
Glow Wire Test (IEC 695-2-1) °C:	960 °C
NEMA Class	NEMA 1, 4, 4X, 12 and 13

Certificates:

Certificate FI 40467