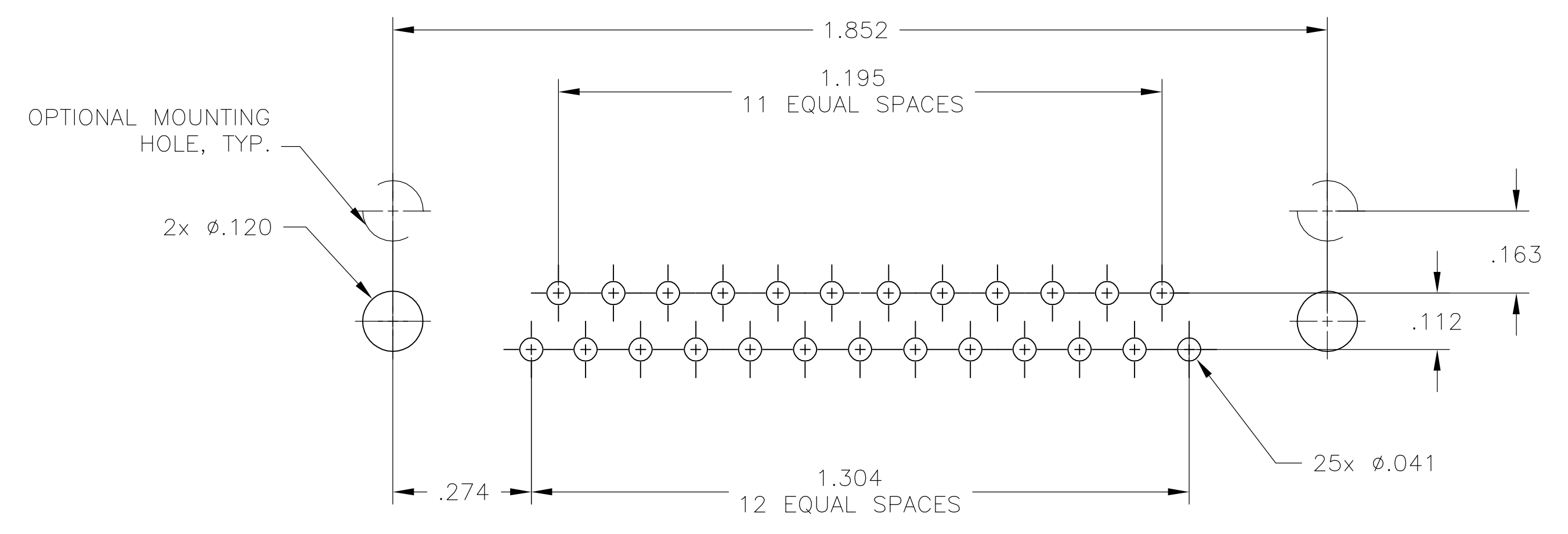
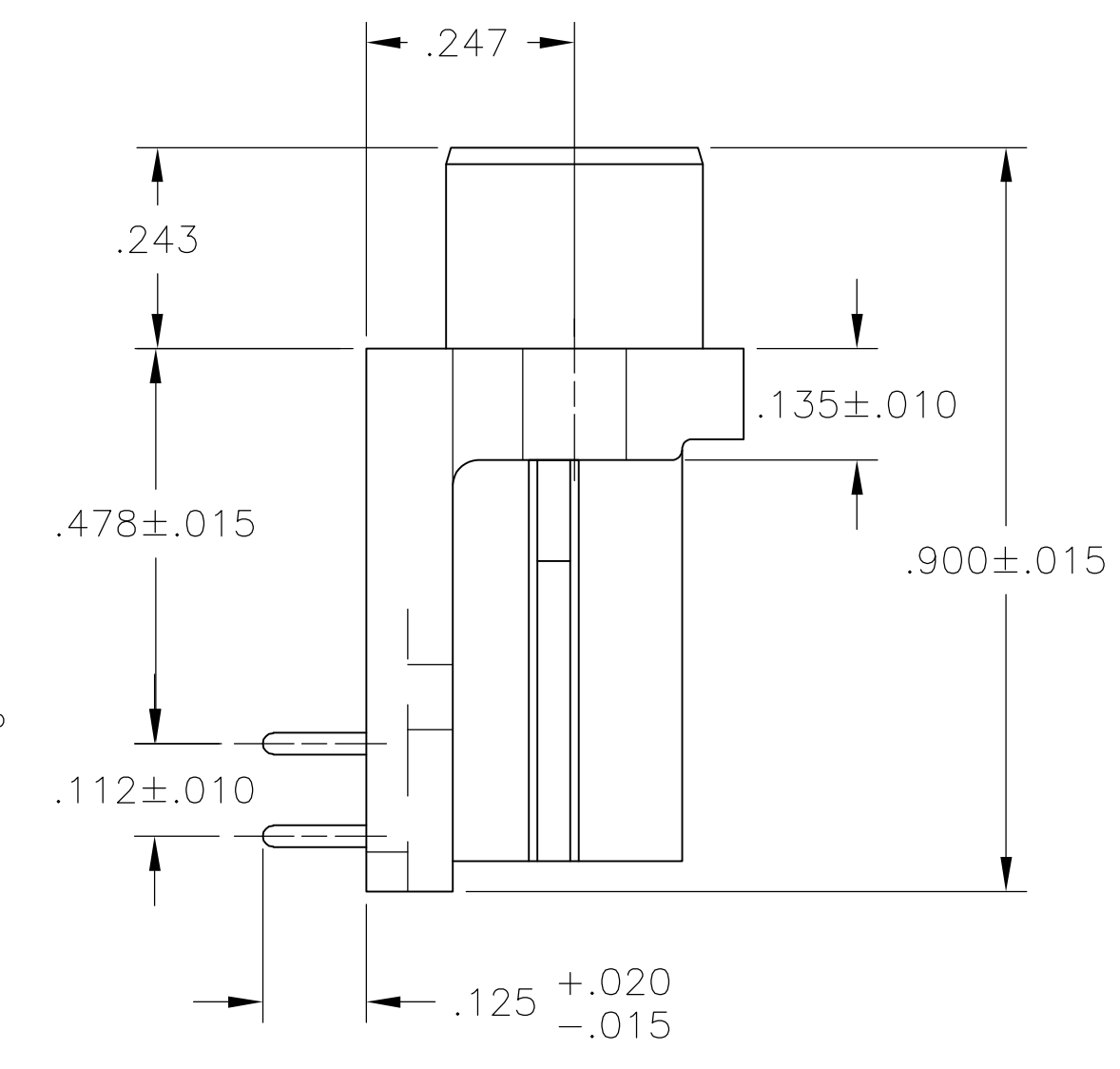
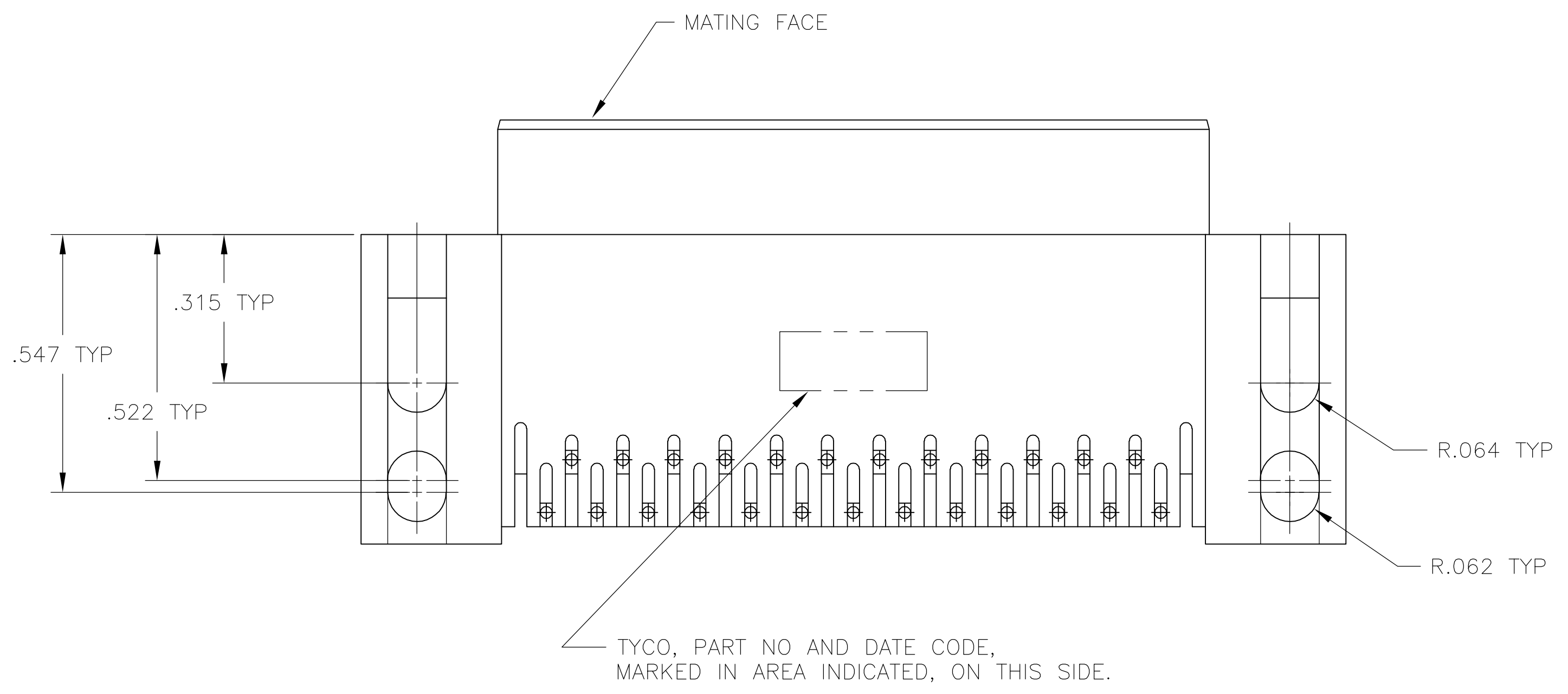


- 1 HOUSING: FLAME RETARDANT, 94V-0 RATED, GLASS FILLED NYLON OR POLYESTER, COLOR: BLACK  
CONTACTS: PHOS. BRONZE
- 2 REFER TO APPLICATION SPEC FOR RECOMMENDED P.C. BOARD MOUNTING DIMENSIONS FOR AUTOMATIC INSERTION.
- 3 CONTACTS: PLATED WITH .000030 MIN GOLD FOR LENGTH OF .055 MIN FROM MATING END, .000100 MIN TIN ON SOLDER END, ALL OVER .000050 MIN NICKEL ON ENTIRE CONTACT.



RECOMMENDED P.C. BOARD MOUNTING DIMENSIONS

**COPYRIGHT 2005  
 TYCO ELECTRONICS CORP  
 ALL RIGHTS RESERVED**

5745085-2  
 PART NUMBER

|  |  |                             |  |   |  |
|--|--|-----------------------------|--|---|--|
| THIS DRAWING IS A CONTROLLED DOCUMENT. |  | DWG: G.PETERS 14SEP05       |  | Tyco Electronics Corporation<br>Harrisburg, PA 17105-3608                                   |  |
| DIMENSIONS: INCHES                     |  | CHK: S.BOLASH 14SEP05       |  | NAME: M.WALMSLEY 14SEP05  |  |
| TOLERANCES UNLESS OTHERWISE SPECIFIED: |  | PRODUCT SPEC: 108-40025     |  | RECEPTACLE ASSY, SIZE 3, 25 POSN, RIGHT ANGLE, .478 SERIES, .026 DIA POSTS, AMPLIMITE HD-20 |  |
| 0 PLC ± -                              |  | APPLICATION SPEC: 114-40015 |  | RESTRICTED TO: -  |  |
| 1 PLC ± -                              |  | SIZE: A1                    |  | SCALE: 4:1  |  |
| 2 PLC ± -                              |  | WEIGHT: -                   |  | SHEET 1 OF 1  |  |
| 3 PLC ± .005                           |  | CUSTOMER DRAWING            |  | REV 0   |  |
| 4 PLC ± - Z                            |  | DRAWING NO: 00779           |  | PART NO: 5745085  |  |
| ANGLES ± - Z                           |  | DATE: 14SEP05               |  | REV: 0  |  |