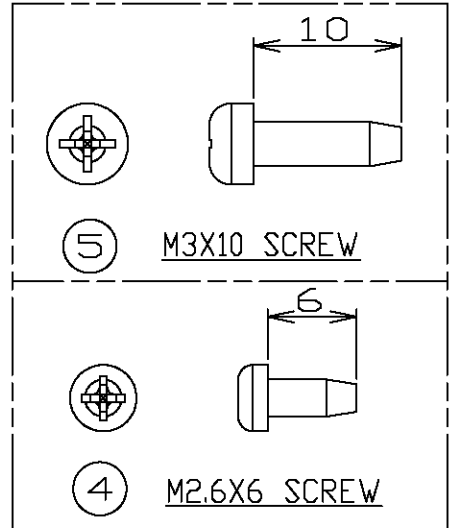
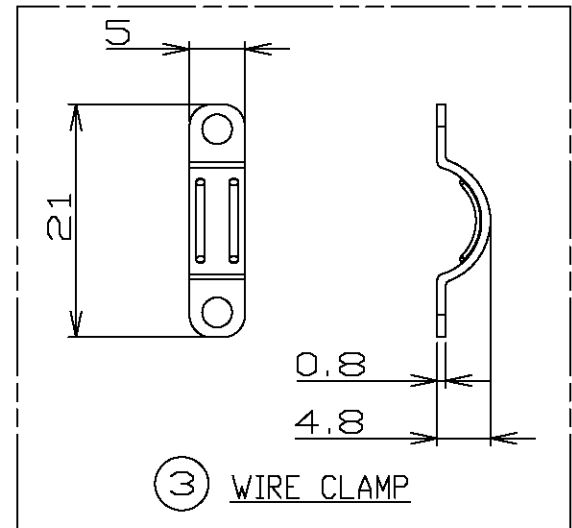
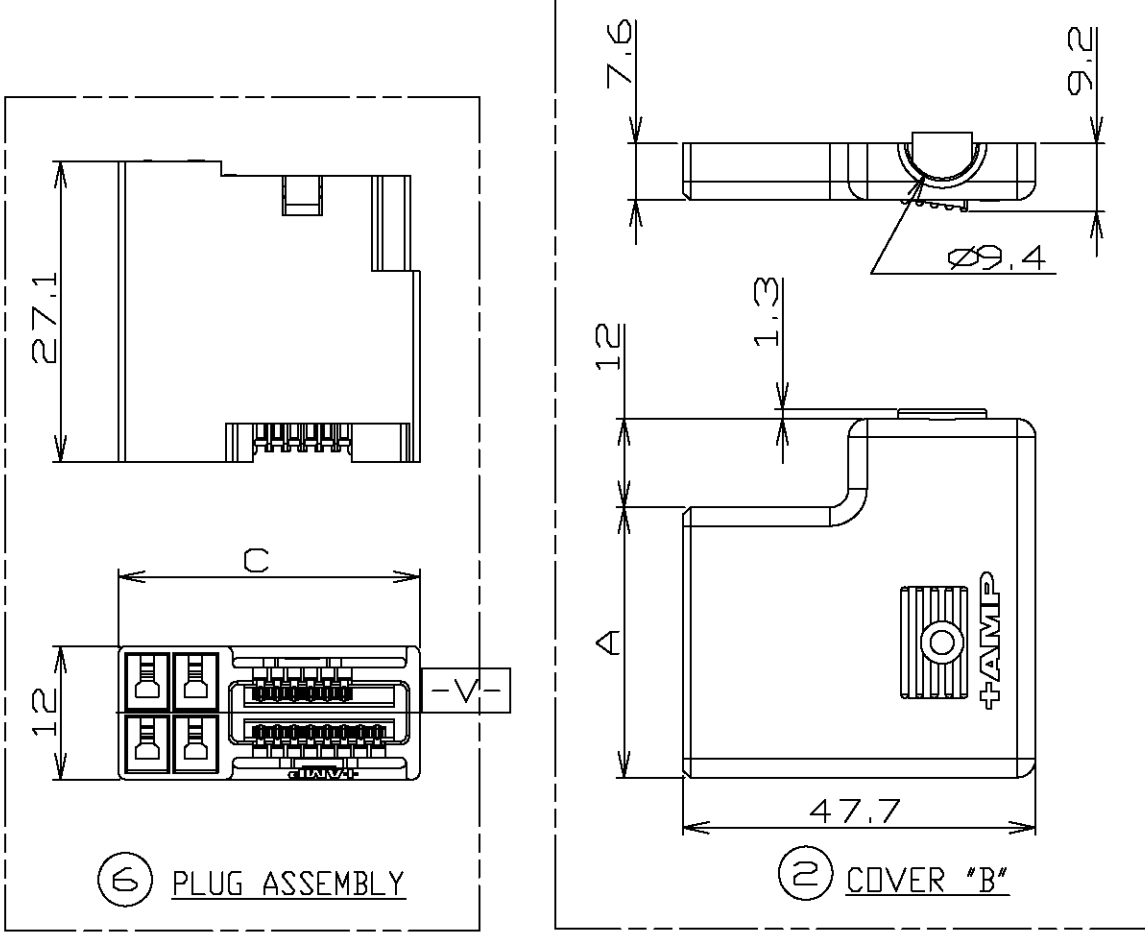
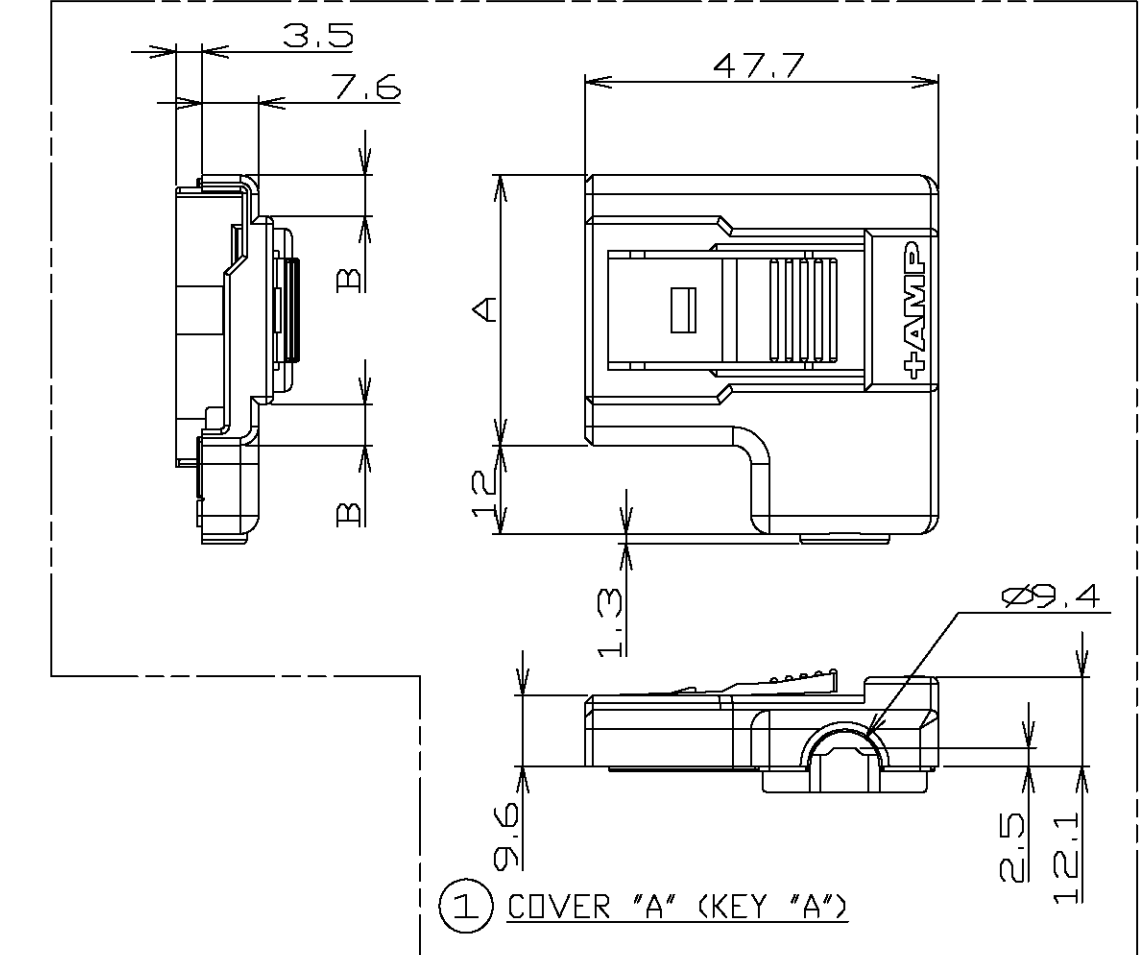


THIS DRAWING IS UNPUBLISHED. RELEASED FOR PUBLICATION  
 © COPYRIGHT BY TYCO ELECTRONICS CORPORATION. ALL RIGHTS RESERVED.

LOC	DIST	REVISIONS		
ES	00	P	LTR	DESCRIPTION
		A		REVISED FB00-0217-04
				DATE 16DEC04 DWN H.H APVD I.E



NOTES: THIS IS LEAD-FREE P/N.



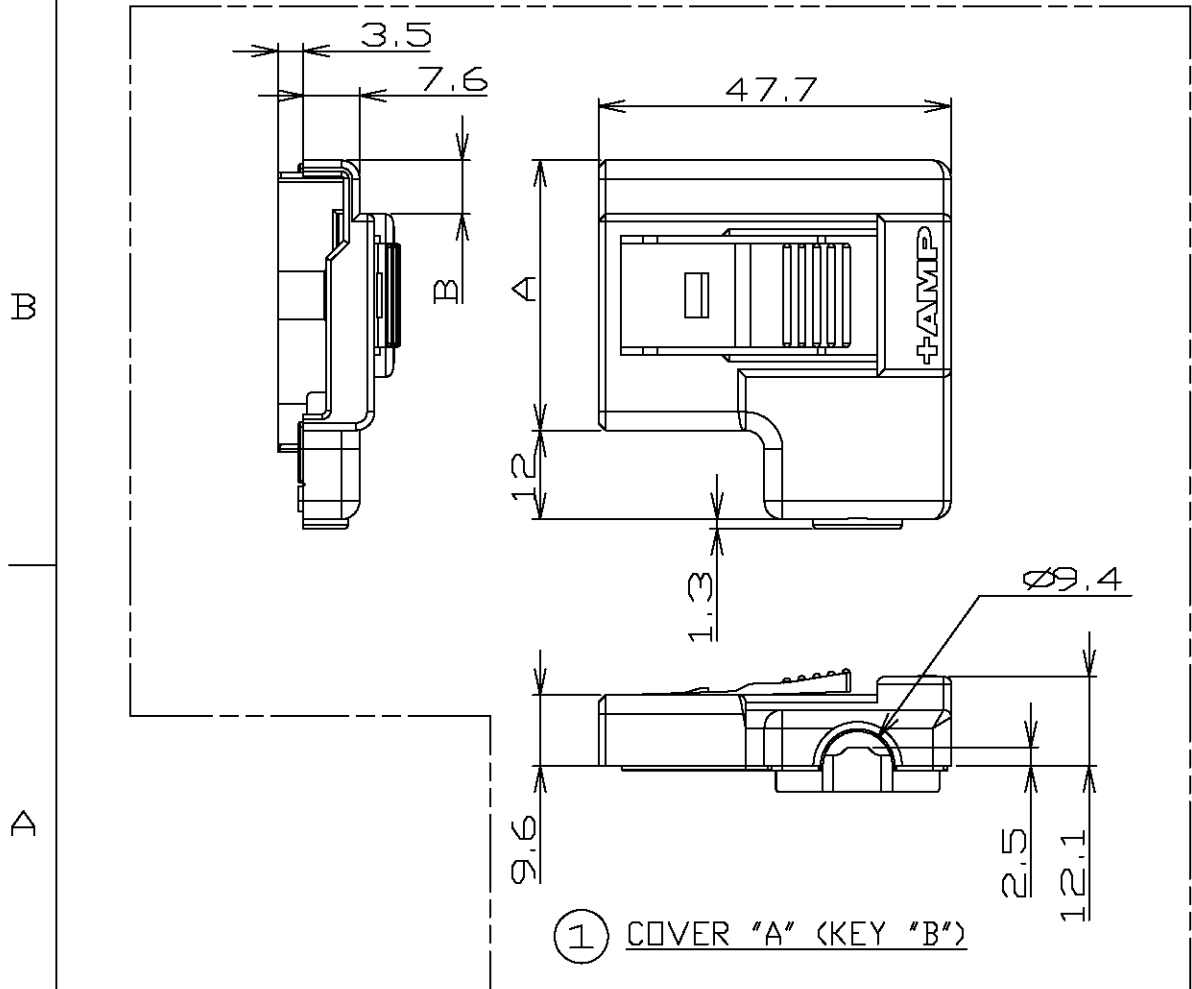
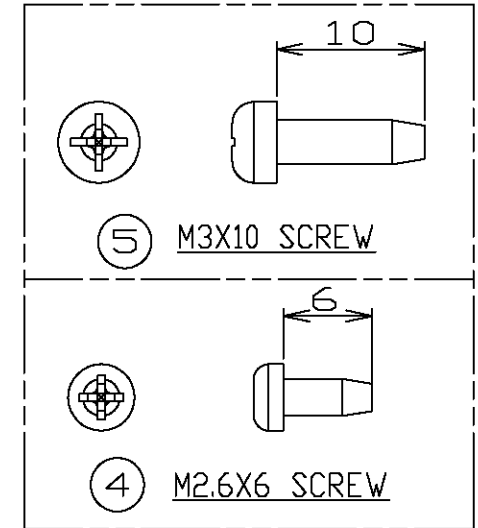
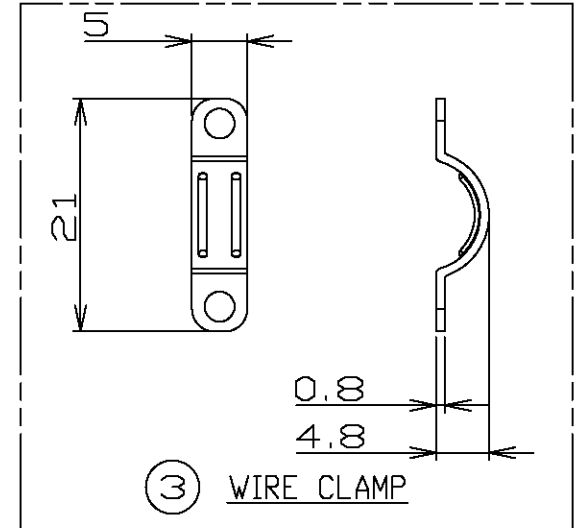
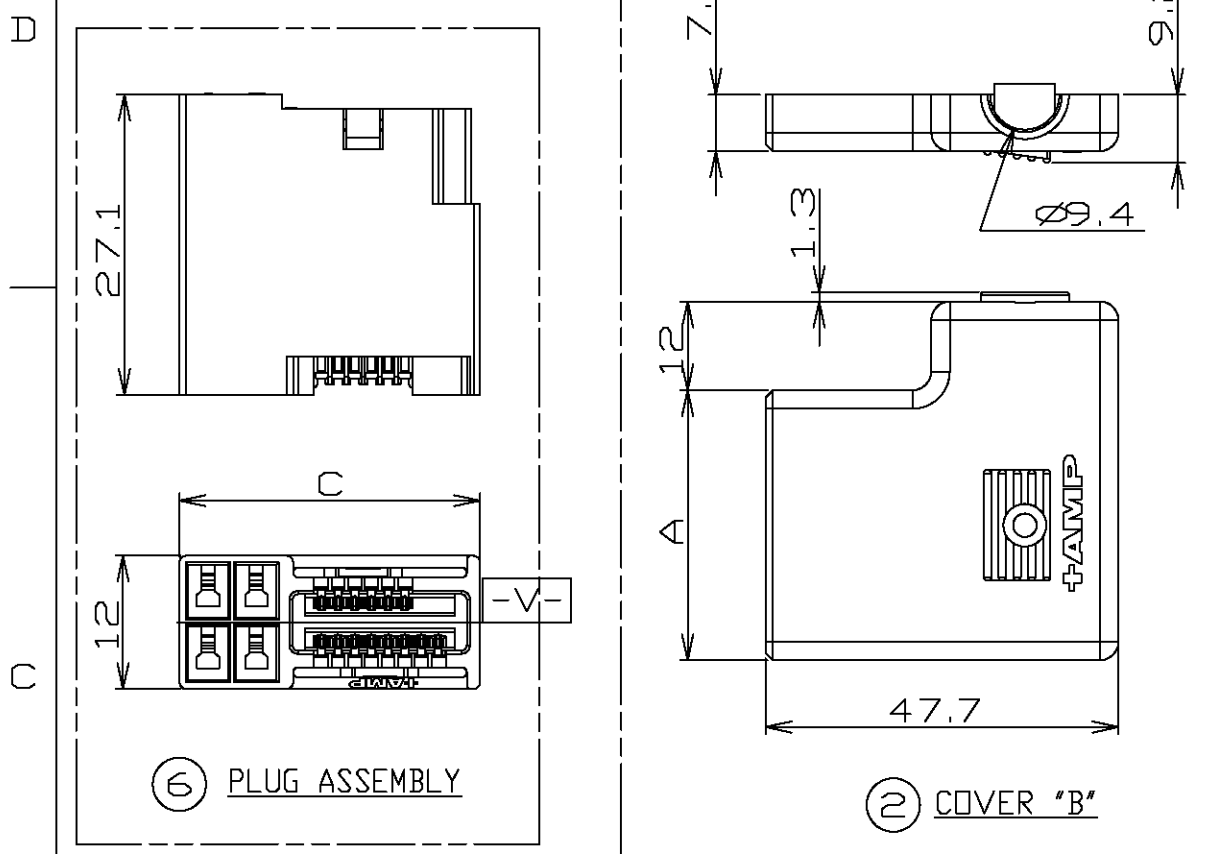
C	B	A	QTY	MATERIAL & FINISH	DESCRIPTION	PART NUMBER	ITEM	KEY TYPE	PART NUMBER
33.1	—	—	1	THERMOPLASTIC, UL94V-0 COLOR: GRAY	PLUG ASSEMBLY, 22P	2-292245-2	⑥		
—	—	—	1	STEEL, ZINC PLATED	TAPTITE SCREW, P-TITE M3X10	292264-1	⑤		
—	—	—	2	STEEL, ZINC PLATED	TAPTITE SCREW, P-TITE M2.6X6	292263-1	④	A	2-292249-2
—	—	—	1	STEEL, ZINC PLATED	WIRE CLAMP	292265-1	③		
—	—	36.5	1	THERMOPLASTIC, UL94-HB COLOR: GRAY	COVER 'B', 22P	2-1318656-2	②		
—	5.55	36.5	1	THERMOPLASTIC, UL94-HB COLOR: GRAY	COVER 'A', 22P, KEY 'A'	2-1318655-2	①		

THIS DRAWING IS A CONTROLLED DOCUMENT FOR TYCO ELECTRONICS CORPORATION. IT IS SUBJECT TO CHANGE AND THE CONTROLLING ENGINEERING ORGANIZATION SHOULD BE CONTACTED FOR THE LATEST REVISION.

DIMENSIONS: mm	TOLERANCES UNLESS OTHERWISE SPECIFIED:	DWN J.JIANG 05FEB03	Tyco Electronics Corporation Shanghai, P.R.China, 200233
	0 PLC ±	CHK S.YAO 05FEB03	
	1 PLC ±	APVD T.SASAKI 05FEB03	
	2 PLC ±	NAME	
3 PLC ±	PRODUCT SPEC	CABLE CLAMP KIT, HIGH WALL TYPE FOR AMP 1.5mm PITCH MINI CT HYBRID LATTICE CONNECTOR	
4 PLC ±	APPLICATION SPEC	SIZE	CAGE CODE
ANGLES ±	FINISH	114-5256	00779C-
MATERIAL SEE TABLE	FINISH SEE TABLE	WEIGHT	DRAWING NO
		CUSTOMER DRAWING	292249
			RESTRICTED TO
			SCALE NON
			SHEET 1 OF 3
			REV A

THIS DRAWING IS UNPUBLISHED. RELEASED FOR PUBLICATION  
 © COPYRIGHT BY TYCO ELECTRONICS CORPORATION. ALL RIGHTS RESERVED.

LOC	DIST	REVISIONS		
ES	00	P	LTR	DESCRIPTION
				DATE
				DWN
				APVD
		SEE SHEET 1		



QTY	MATERIAL & FINISH	DESCRIPTION	PART NUMBER	ITEM	KEY TYPE	PART NUMBER
33.1	THERMOPLASTIC, UL94V-0 COLOR: GRAY	PLUG ASSEMBLY, 22P	2-292245-2	6		
—	STEEL, ZINC PLATED	TAPTITE SCREW, P-TITE M3X10	292264-1	5		
—	STEEL, ZINC PLATED	TAPTITE SCREW, P-TITE M2.6X6	292263-1	4	B	4-292249-2
—	STEEL, ZINC PLATED	WIRE CLAMP	292265-1	3		
—	THERMOPLASTIC, UL94-HB COLOR: GRAY	COVER "B", 22P	2-1318656-2	2		
—	THERMOPLASTIC, UL94-HB COLOR: GRAY	COVER "A", 22P, KEY "B"	4-1318655-2	1		
C	B	A	QTY	MATERIAL & FINISH	DESCRIPTION	PART NUMBER
DIMENSIONS				COMPONENTS		

THIS DRAWING IS A CONTROLLED DOCUMENT FOR TYCO ELECTRONICS CORPORATION  
 IT IS SUBJECT TO CHANGE AND THE CONTROLLING ENGINEERING ORGANIZATION  
 SHOULD BE CONTACTED FOR THE LATEST REVISION.

DIMENSIONS: mm	TOLERANCES UNLESS OTHERWISE SPECIFIED: 0 PLC ± 1 PLC ± 2 PLC ± 3 PLC ± 4 PLC ± ANGLES ±	DWN	Tyco Electronics Corporation Shanghai, P.R.China, 200233 NAME <b>CABLE CLAMP KIT, HIGH WALL TYPE          FOR AMP 1.5mm PITCH MINI CT          HYBRID LATTICE CONNECTOR</b>
MATERIAL SEE TABLE	FINISH SEE TABLE	CHK	
		APVD	
		PRODUCT SPEC	
		APPLICATION SPEC	RESTRICTED TO
		WEIGHT	SIZE CAGE CODE DRAWING NO
		CUSTOMER DRAWING	A3 00779 C- 292249
			SCALE NON SHEET 2 OF 3 REV A

4

3

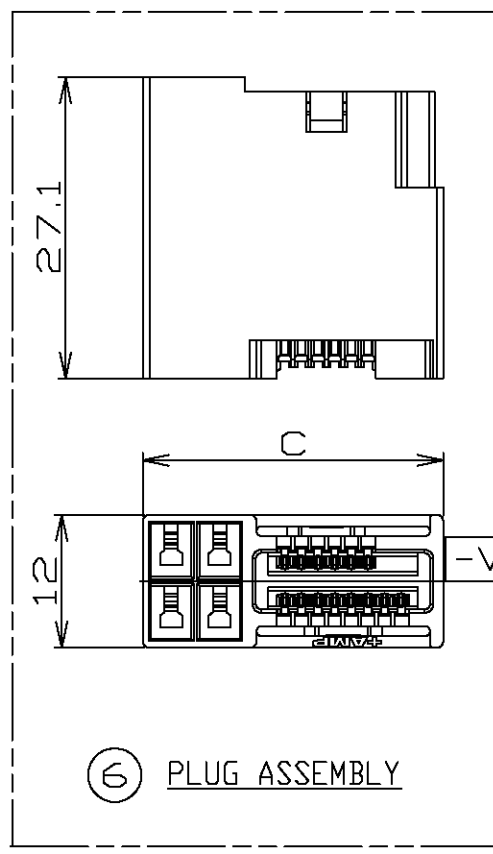
2

1

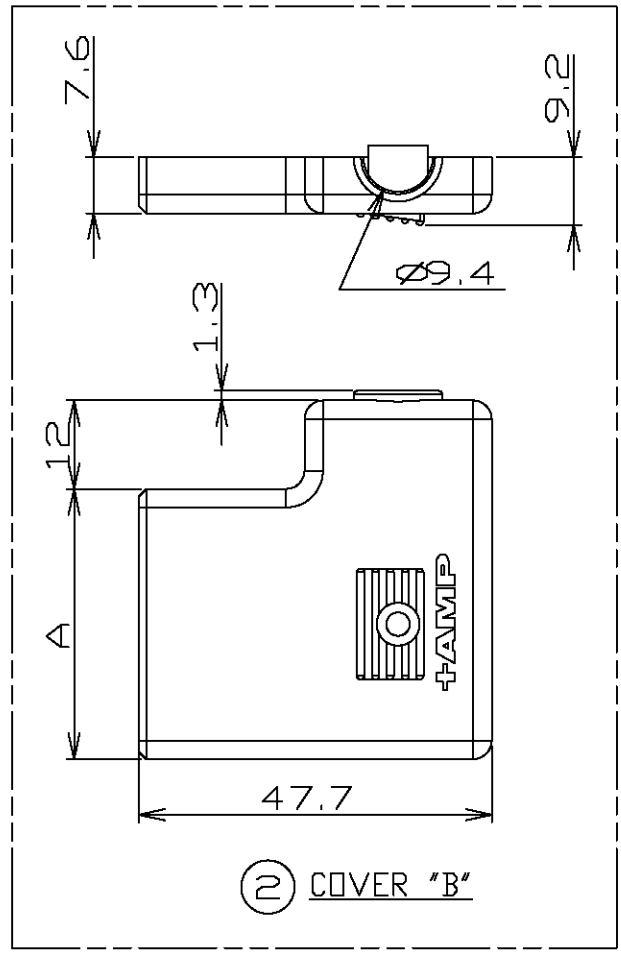
THIS DRAWING IS UNPUBLISHED. RELEASED FOR PUBLICATION  
© COPYRIGHT BY TYCO ELECTRONICS CORPORATION. ALL RIGHTS RESERVED.

LOC	DIST	REVISIONS					
ES	00	P	LTR	DESCRIPTION	DATE	DWN	APVD
		-	-	SEE SHEET 1	-	-	-

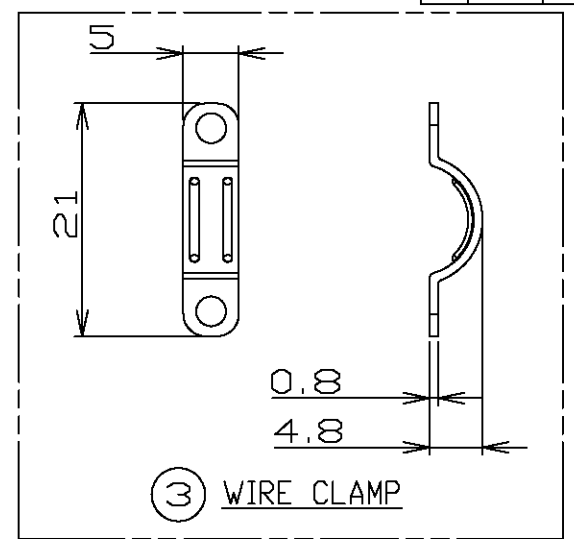
D



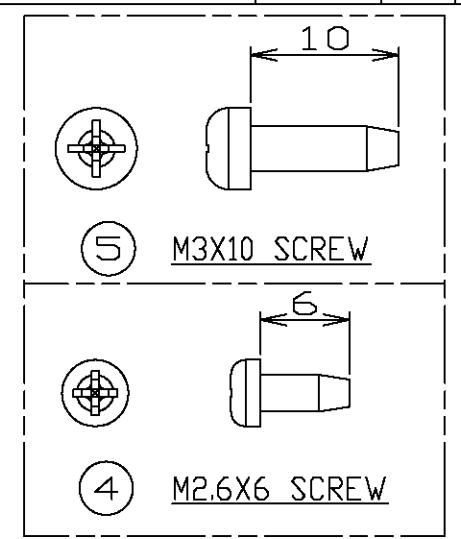
⑥ PLUG ASSEMBLY



② COVER "B"



③ WIRE CLAMP



⑤ M3X10 SCREW

④ M2.6X6 SCREW

C

B

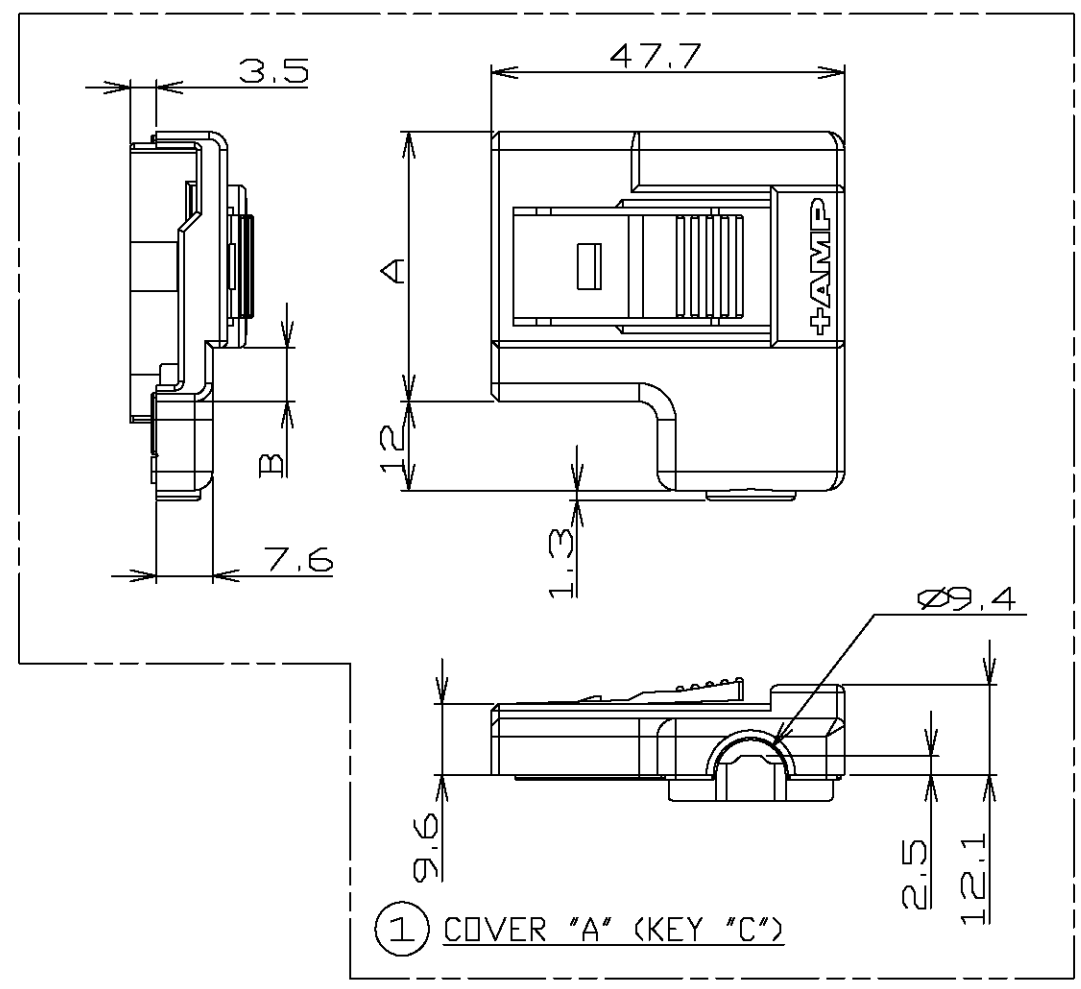
A

D

C

B

A



① COVER "A" (KEY "C")

C	B	A	QTY	MATERIAL & FINISH	DESCRIPTION	PART NUMBER	ITEM	KEY TYPE	PART NUMBER
33.1	—	—	1	THERMOPLASTIC, UL94V-0 COLOR: GRAY	PLUG ASSEMBLY, 22P	2-292245-2	⑥	C	6-292249-2
—	—	—	1	STEEL, ZINC PLATED	TAPTITE SCREW, P-TITE M3X10	292264-1	⑤		
—	—	—	2	STEEL, ZINC PLATED	TAPTITE SCREW, P-TITE M2.6X6	292263-1	④		
—	—	—	1	STEEL, ZINC PLATED	WIRE CLAMP	292265-1	③		
—	—	36.5	1	THERMOPLASTIC, UL94-HB COLOR: GRAY	COVER "B", 22P	2-1318656-2	②		
—	7.25	36.5	1	THERMOPLASTIC, UL94-HB COLOR: GRAY	COVER "A", 22P, KEY "C"	6-1318655-2	①		
DIMENSIONS				COMPONENTS					

THIS DRAWING IS A CONTROLLED DOCUMENT FOR TYCO ELECTRONICS CORPORATION. IT IS SUBJECT TO CHANGE AND THE CONTROLLING ENGINEERING ORGANIZATION SHOULD BE CONTACTED FOR THE LATEST REVISION.

DIMENSIONS: mm	TOLERANCES UNLESS OTHERWISE SPECIFIED:	DWN	Tyco Electronics Corporation Shanghai, P.R.China, 200233
	0 PLC ±	CHK	
	1 PLC ±	APVD	
	2 PLC ±	PRODUCT SPEC	
MATERIAL	FINISH	APPLICATION SPEC	NAME <b>CABLE CLAMP KIT, HIGH WALL TYPE FOR AMP 1.5mm PITCH MINI CT HYBRID LATTICE CONNECTOR</b>
SEE TABLE	SEE TABLE	WEIGHT	SIZE: A3 CAGE CODE: 00779C DRAWING NO: 292249 RESTRICTED TO:
CUSTOMER DRAWING			SCALE: NON SHEET 3 OF 3 REV A