
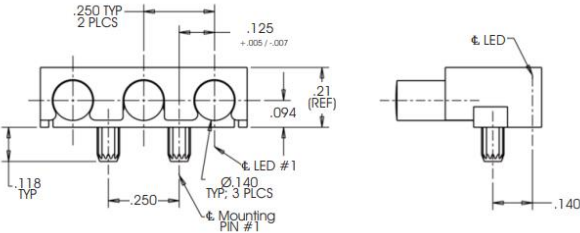




# 515-1020-805F

Part Number	Drawing	Suggested LED*
 <p>515-1020-805F</p>		<p>597-3111-407F            597-3201-407F            597-3311-407F            597-3401-407F            598-8210-107F</p>

## 515 Optopipe® Light Pipe, 3 Array 3.5mm Rnd Convex Diff Lens, Press-fit w Shield



### Specifications

Series	515
Certifications	RoHS
Status	Active
Light Pipe Material	Rigid
Mounting Type	PCB Mount

Viewing Direction from PCB	Right Angle
Lens Shape	Round
Lens Dimension HxW - inch(mm)	0.140" (3.56mm) dia.
Mounting Method	Press-fit
Lens Optics	Convex
Lens Finish	Diffused
Levels	Single Level
Arrays	3 wide
Light Shield	With Shield
PCB to centerline of lens - inch(mm)	0.094" (2.388mm)
Center to center of lenses (multi array) - inch(mm)	0.250" (6.35mm)
Pitch btw adjacent LPs - inch(mm)	0.250" (6.35mm)
Overall length - inch(mm)	0.514" (13.056mm)
Overall width - inch(mm)	0.640" (16.256mm)
Overall height from PCB - inch(mm)	0.210" (5.334mm)

Minimum Panel Thickness - inch(mm)	0.047"(1.194mm)
Mounting Pin Size	0.150" (3.81mm)
Mounting Pin Pitch	0.250" (6.35mm)
Operating Temperature	-30°C to +100°C (-22°F to +212°F)
Storage Temperature	-30°C to +100°C (-22°F to +212°F)

**Downloadable Resources**

Selector Guide/Catalog	Lightpipe_Selector_Guide_D.pdf
Request Compliance Documentation	Request Compliance Documentation

[https://s3-us-west-2.amazonaws.com/catsy.557/Lightpipe\\_Selector\\_Guide\\_D.pdf](https://s3-us-west-2.amazonaws.com/catsy.557/Lightpipe_Selector_Guide_D.pdf)

<https://www.dialightsignalsandcomponents.com/515-optopipe-light-pipe-3-array-3-5mm-rnd-convex-diff-lens-press-fit-w-shield/#resources-btn/7-26-22>