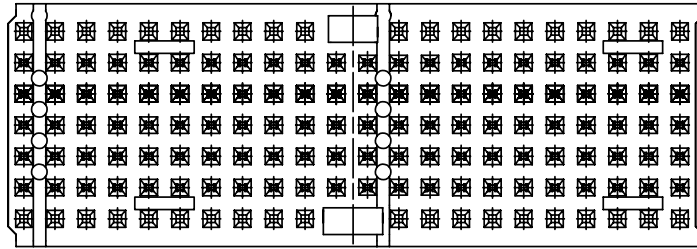


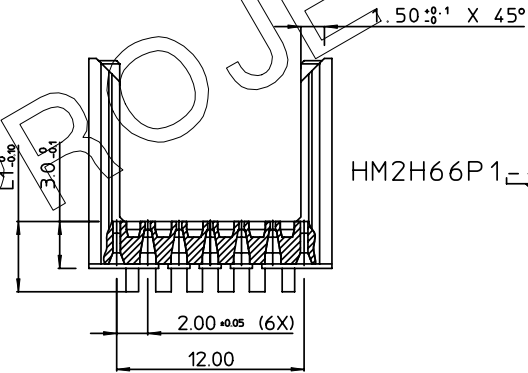
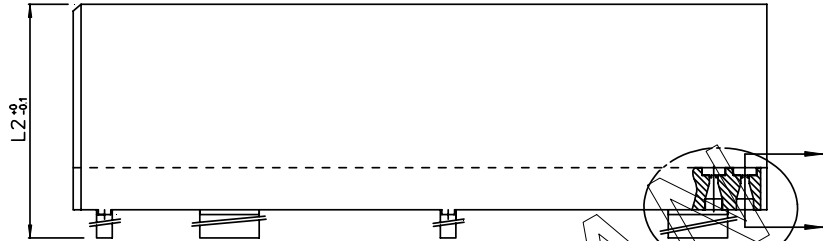
GEN. ST.	01	02	03	04	05	06	07	08	0D	50	60	70	80	90																	
INT. ST.	10	11	12	13	14	18	20	31	32	33	34	38	39	40	42	43	44	45	46	48	56	70	72	73	75	76	81	82	83	84	88

REV.	DATE	DESCRIPTION	BY	C'K'D'
B	2003-03-21	EC B30060	HF	
C	2004-11-30	104-0110	ALEX B	BKP
D	2005-11-22	105-0241	ALEX B	BKP
E	2006-07-04	106-0096	VIVEK	BKP

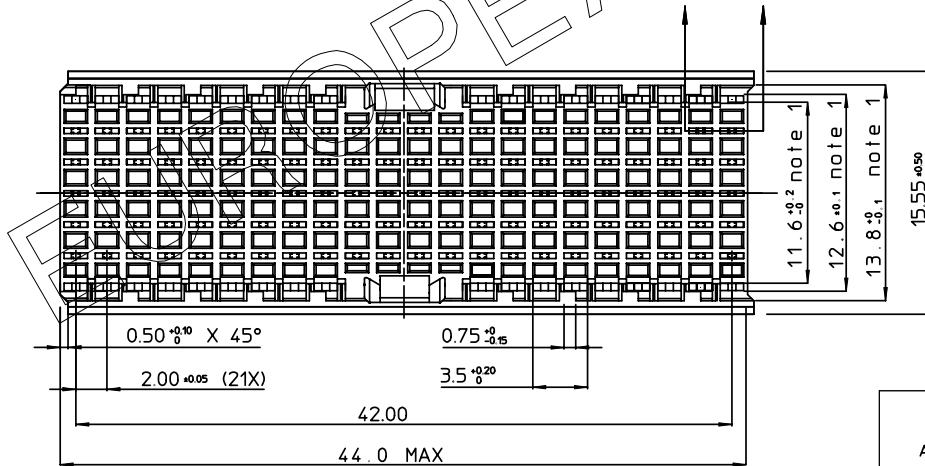
- NOTES: 1. MEASURED AT THE BOTTOM
 2. MATERIAL: LCP 30% GLASSFILLED
 3. THE "LF" PRODUCT MEETS EUROPEAN UNION DIRECTIVES AND OTHER COUNTRY REGULATIONS AS DESCRIBED IN GS-22-008.
 4. PARTS WITH AND WITHOUT SUFFIX LF TO THE PRODUCT PART NUMBER ARE IDENTICAL IN FORM, FIT AND FUNCTION. LF SUFFIX IS ADDED TO THE PART NUMBER OF THIS PRODUCT TO HAVE UNIFORM IDENTIFICATION OF ALL RoHS COMPATIBLE PRODUCTS.



ABRIDGED
CAT No MARKED



RoHS COMPATIBLE
(DIGIT 11 & 12)
 HM2H66P1--LF
 STANDOFF HEIGHT INDICATOR



PART NUMBER	L1	L2	
HM2H66P1LF	3.0	13.45	AVAILABLE
HM2H66P109LF	3.9	14.35	AVAILABLE
HM2H66P111LF	4.1	14.55	AVAILABLE
HM2H66P113LF	4.3	14.75	AVAILABLE
HM2H66P115LF	4.5	14.95	AVAILABLE
HM2H66P117LF	4.7	15.15	AVAILABLE
HM2H66P119LF	4.9	15.35	AVAILABLE
HM2H66P122LF	5.2	15.65	AVAILABLE
HM2H66P130LF	6.0	16.45	AVAILABLE

1DEC ±0.2 2DEC ±0.1 ANGLES ±1°	APPR.	DATE	SIGN.	MPACS 5R STR SHR TYPE AB 22 POS
WE RESERVE THE RIGHT TO CHANGE DIMENSIONS OR REQUIREMENTS WITHOUT PRIOR NOTICE. ALL DIMENSIONS IN MM	DRAFT	1999-06-11	N. OITTO	CAT. No. HM2H66P1--LF
	CHECKED			www.fciconnect.com
	PR. ENG. MGR.			
	PR. MGT. MGR.			SCALE

	REFERENCES		BS,C ,201630,042	E
			DRAWING No.	CUSTOMER DRAWING
			REVISION	

THIS IS OUR EXCLUSIVE PROPERTY. IT IS NOT TO BE COPIED, REPRINTED OR DISCLOSED TO A THIRD PARTY, NOR USED FOR MANUFACTURING WITHOUT OUR WRITTEN CONSENT, AND HAS TO BE RETURNED TO US IN CASE OF NO USAGE
 DIT IS ONZE EIGENDOM EN MAG NOCH NAGEMAAKT, HERDRUKT, OVERGEMAAKT AAN DERDEN, NOCH VOOR FABRIKATIE GEBRUIKT WORDEN, ZONDER ONZE SCHRIFTELIJKE TOELATING. BIJ NIET GEBRUIK IS TERUGZENDING VERPLICHT.