

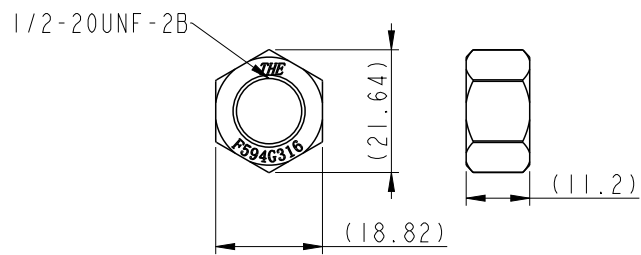
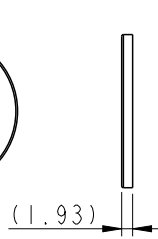
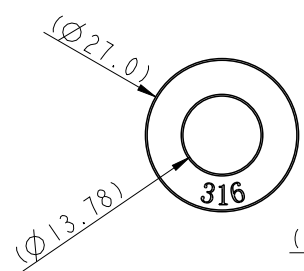
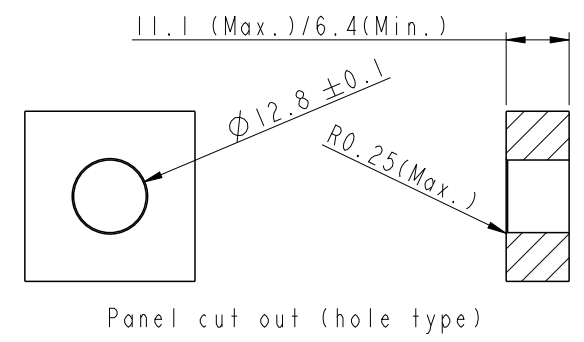
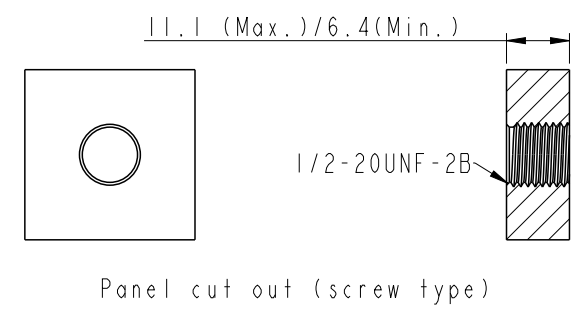
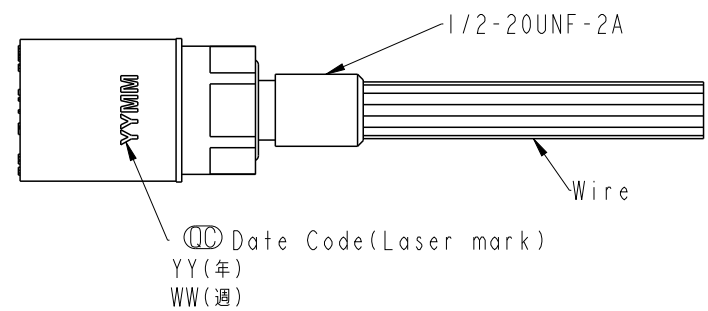
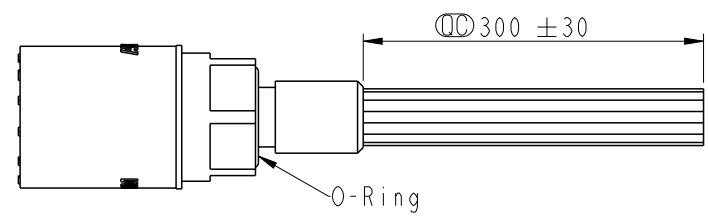
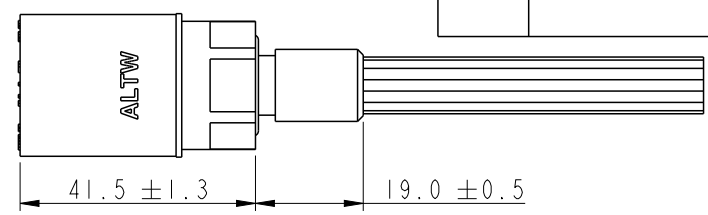
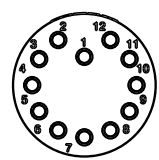
THIS DOCUMENT IS SUBJECT TO CHANGE WITHOUT NOTICE. IT IS CONFIDENTIAL AND A PROPERTY OF AMPHENOL LTW. DISCLOSURE TO THIRD PARTY HAS TO BE AUTHORIZED BY AMPHENOL LTW.

REV.	ECN NO.	DATE	SIGN	DESCRIPTION
A		2022/09/30	Eagle	Rev.01 to Rev.A

DT-HCM-XXRFF-RHA30

For 12P

G3: 3Pin  
 G4: 4Pin  
 06: 6Pin  
 08: 8Pin  
 12: 12Pin



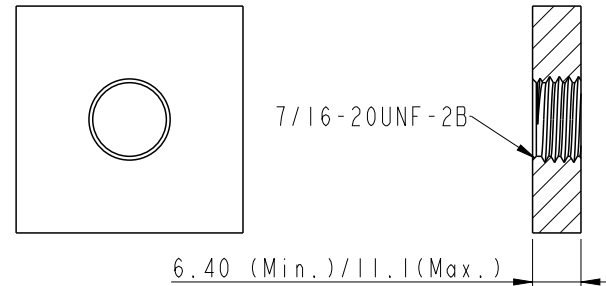
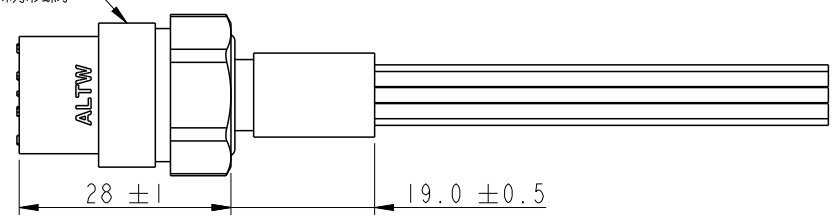
- Note:
- \*  $\phi$  Important Dimension.
  - \* Waterproof Rate: Hadopelagic 7000M, Mated.
  - \* Connector
    - Housing: Rubber, Black.
    - Pin: Copper Alloy, Gold Plated.
    - O-Ring: Rubber, Black.
    - Shield: Metal.
    - Nut: Metal.
    - Washer: Metal.
  - \* Wire:
    - UL10393 18 AWG, OD 1.81mm for 3P/4P
    - UL1815 22 AWG, OD 1.46mm for 6P/8P
    - UL1815 20 AWG, OD 1.56mm for 12P
  - \* Washer and nut are packed separately in PE bag.

UNIT: mm TOLERANCE ±0.5	TITLE DT, HAD CIRCULAR MICRO REAR FASTENED, F, F			<h1>Amphenol LTW</h1> <p>安費諾亮泰企業股份有限公司</p>	ITEM NO	DRAWN BY Eagle	DATE 2022/09/30
	SCALE 1:1	SIZE A4	SHEET 1 OF 4		DWG NO DT-HCM-XXRFF-RHA30	CHECKED BY Aric	DATE 2022/09/30
	REV. A	WC-REV. A.5	$\phi$ Inspection item		CUSTOMER ALTW	APPROVED BY Max	DATE 2022/09/30

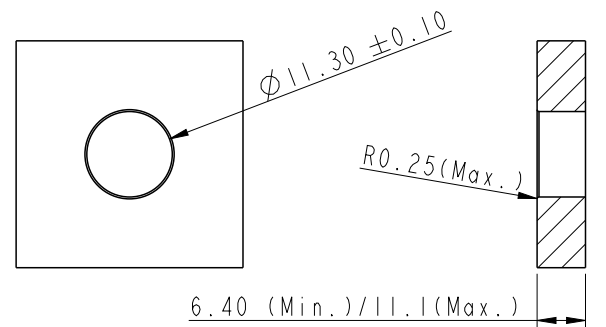
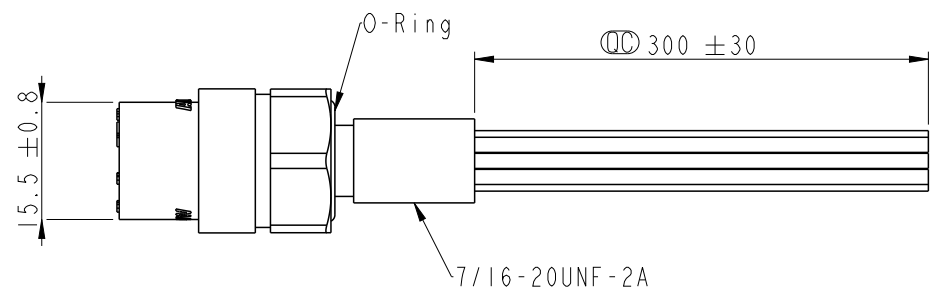
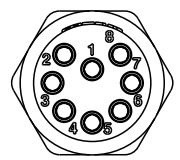
THIS DOCUMENT IS SUBJECT TO CHANGE WITHOUT NOTICE. IT IS CONFIDENTIAL AND A PROPERTY OF Amphenol LTW. DISCLOSURE TO THIRD PARTY HAS TO BE AUTHORIZED BY Amphenol LTW.

For 3P/4P/6P/8P

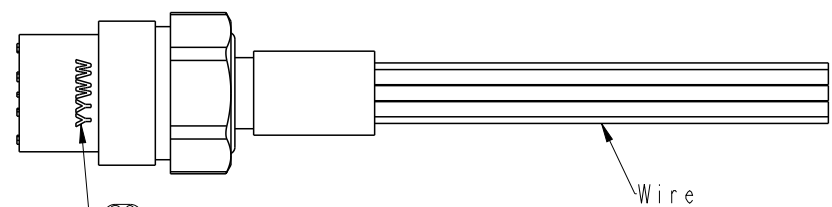
Special square thread  
特殊方形螺牙



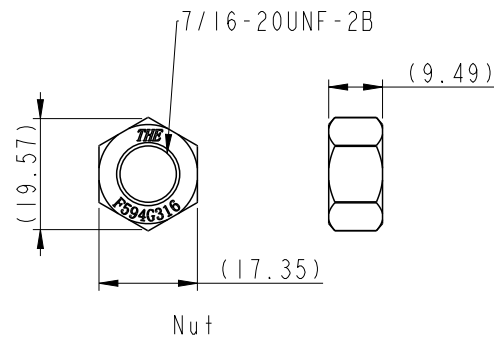
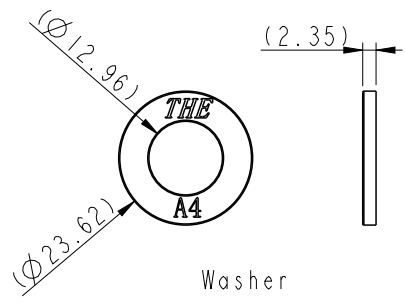
Panel cut out (screw type)



Panel cut out (hole type)



☉ Date Code (Laser mark)  
YY (年)  
WW (週)



UNIT: mm		
TOLERANCE ±0.5		

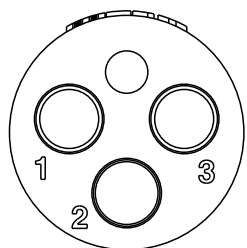
TITLE DT, HAD CIRCULAR MICRO REAR FASTENED, F, F			
SCALE 1:1	SIZE A4	SHEET 2 OF 4	
REV. A	WC-REV. A.5	☉: Inspection item	

**Amphenol LTW**  
安費諾亮泰企業股份有限公司

ITEM NO	DWG NO	CUSTOMER
	DT-HCM-XXRFF-RHA30	ALTW

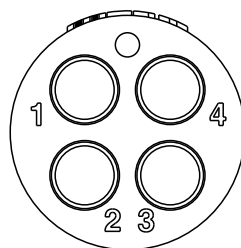
DRAWN BY	CHECKED BY	APPROVED BY
Eagle	Aric	Max

DATE	DATE	DATE
2022/09/30	2022/09/30	2022/09/30



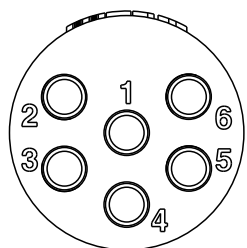
Pin Assignment(Front View)

- Pin Out (3P)  
 1 Black(黑) 18AWG  
 2 White(白) 18AWG  
 3 Red(紅) 18AWG



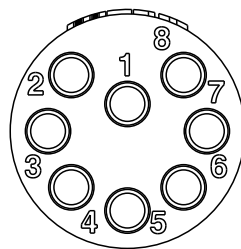
Pin Assignment(Front View)

- Pin Out (4P)  
 1 Black(黑) 18AWG  
 2 White(白) 18AWG  
 3 Red(紅) 18AWG  
 4 Green(綠) 18AWG



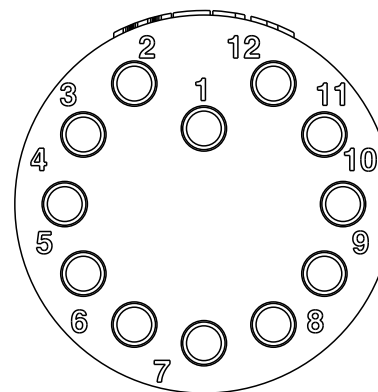
Pin Assignment(Front View)

- Pin Out (6P)  
 1 Black(黑) 22AWG  
 2 White(白) 22AWG  
 3 Red(紅) 22AWG  
 4 Green(綠) 22AWG  
 5 Orange(橙) 22AWG  
 6 Blue(藍) 22AWG



Pin Assignment(Front View)

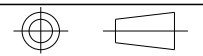
- Pin Out (8P)  
 1 Black(黑) 22AWG  
 2 White(白) 22AWG  
 3 Red(紅) 22AWG  
 4 Green(綠) 22AWG  
 5 Orange(橙) 22AWG  
 6 Blue(藍) 22AWG  
 7 White/Black(白/黑) 22AWG  
 8 Red/Black(紅/黑) 22AWG



Pin Assignment(Front View)

- Pin Out (12P)  
 1 Black(黑) 20AWG  
 2 White(白) 20AWG  
 3 Red(紅) 20AWG  
 4 Green(綠) 20AWG  
 5 Orange(橙) 20AWG  
 6 Blue(藍) 20AWG  
 7 White/Black(白/黑) 20AWG  
 8 Red/Black(紅/黑) 20AWG  
 9 Green/Black(綠/黑) 20AWG  
 10 Orange/Black(橙/黑) 20AWG  
 11 Blue/Black(藍/黑) 20AWG  
 12 Black/White(黑/白) 20AWG

UNIT:mm  
 TOLERANCE



TITLE DT, HAD CIRCULAR MICRO REAR FASTENED, F, F			
SCALE 1:2	SIZE A4	SHEET 3 OF 4	
REV. A	WC-REV.	QC: Inspection item	

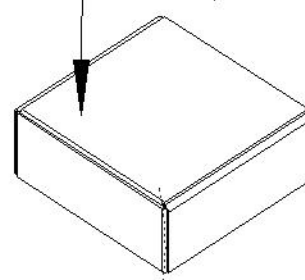
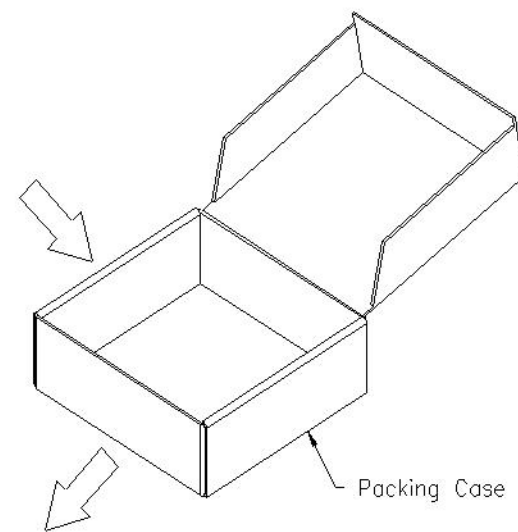
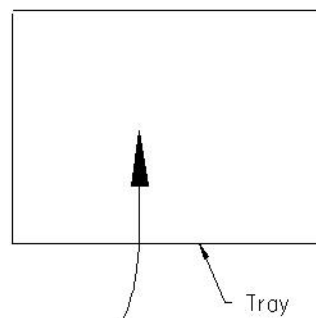
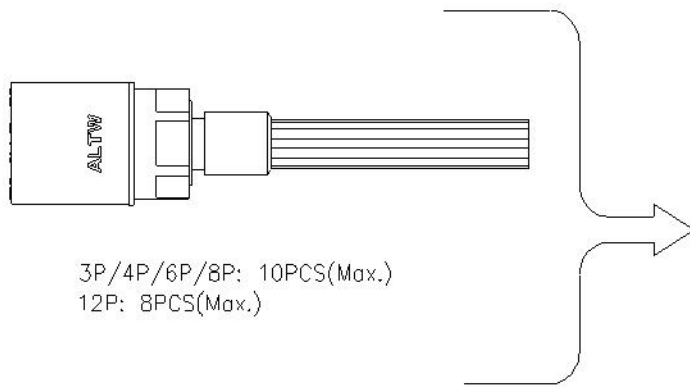
**Amphenol LTW**  
 安費諾亮泰企業股份有限公司

ITEM NO	DWG NO DT-HCM-XXRFF-RHA30
CUSTOMER ALTW	

DRAWN BY Eagle	CHECKED BY Aric
APPROVED BY Max	

DATE 2022/09/30	DATE 2022/09/30
DATE 2022/09/30	

THIS DOCUMENT IS SUBJECT TO CHANGE WITHOUT NOTICE. IT IS CONFIDENTIAL AND A PROPERTY OF Amphenol LTW. DISCLOSURE TO THIRD PARTY HAS TO BE AUTHORIZED BY Amphenol LTW.



年 月 ALTW 合格品 RoHS2.0

料號: \_\_\_\_\_ 廠商: 昆山安費諾正日電子

數量: \_\_\_\_\_ PC 日期: \_\_\_\_\_

Lot No: \_\_\_\_\_ 版本: \_\_\_\_\_

採購單號: \_\_\_\_\_

廠商料號: \_\_\_\_\_

UNIT: mm		
TOLERANCE ±0.5		

TITLE DT, HAD CIRCULAR MICRO REAR FASTENED, F, F			
SCALE 1:1	SIZE A4	SHEET 4 OF 4	
REV. A	WC-REV. A.5	Ⓞ: Inspection item	

**Amphenol LTW**  
安費諾亮泰企業股份有限公司

ITEM NO	DWG NO	CUSTOMER
	DT-HCM-XXRFF-RHA30	ALTW

DRAWN BY Eagle	CHECKED BY Aric	APPROVED BY Max
-------------------	--------------------	--------------------

DATE 2022/09/30	DATE 2022/09/30	DATE 2022/09/30
--------------------	--------------------	--------------------