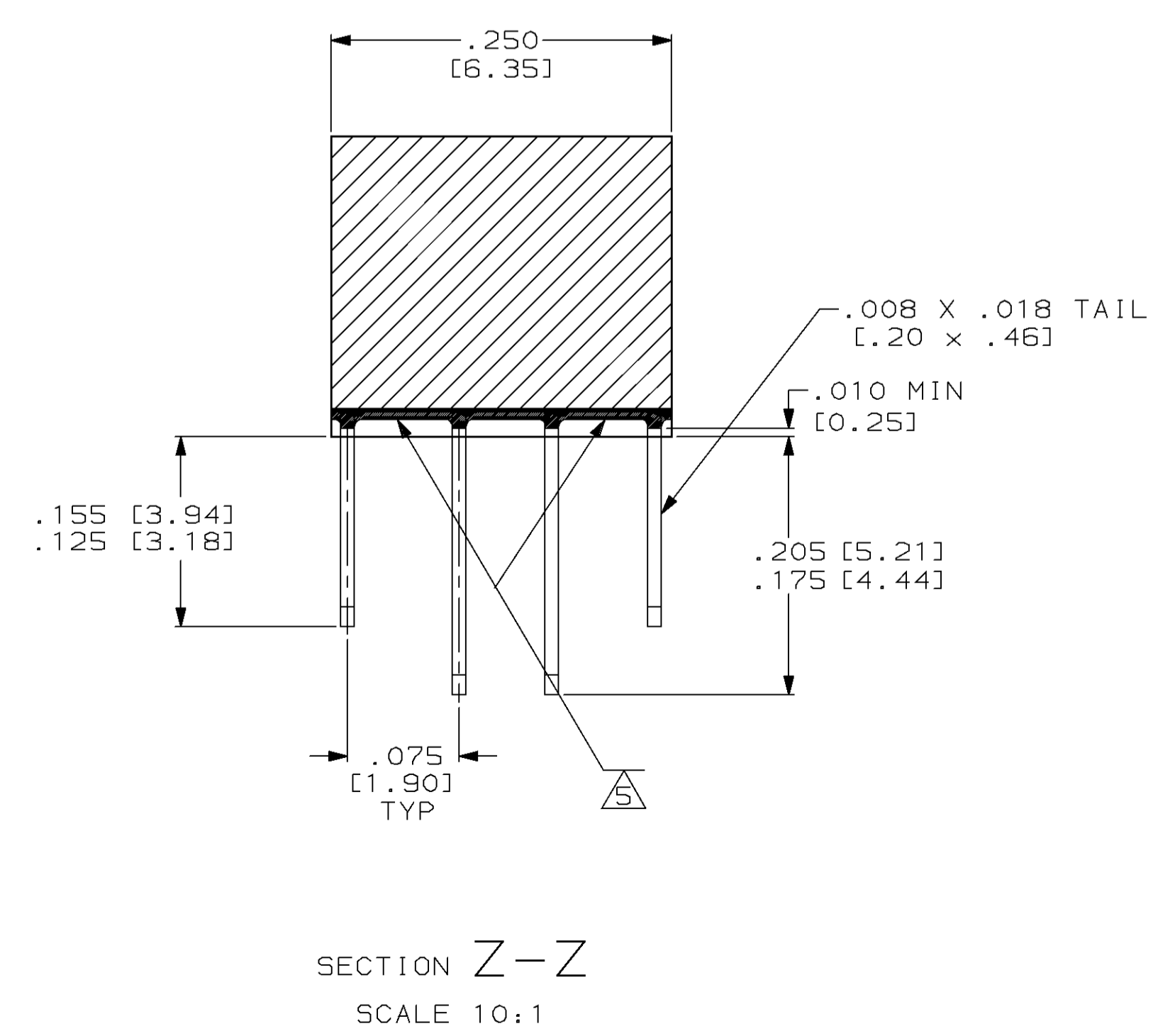
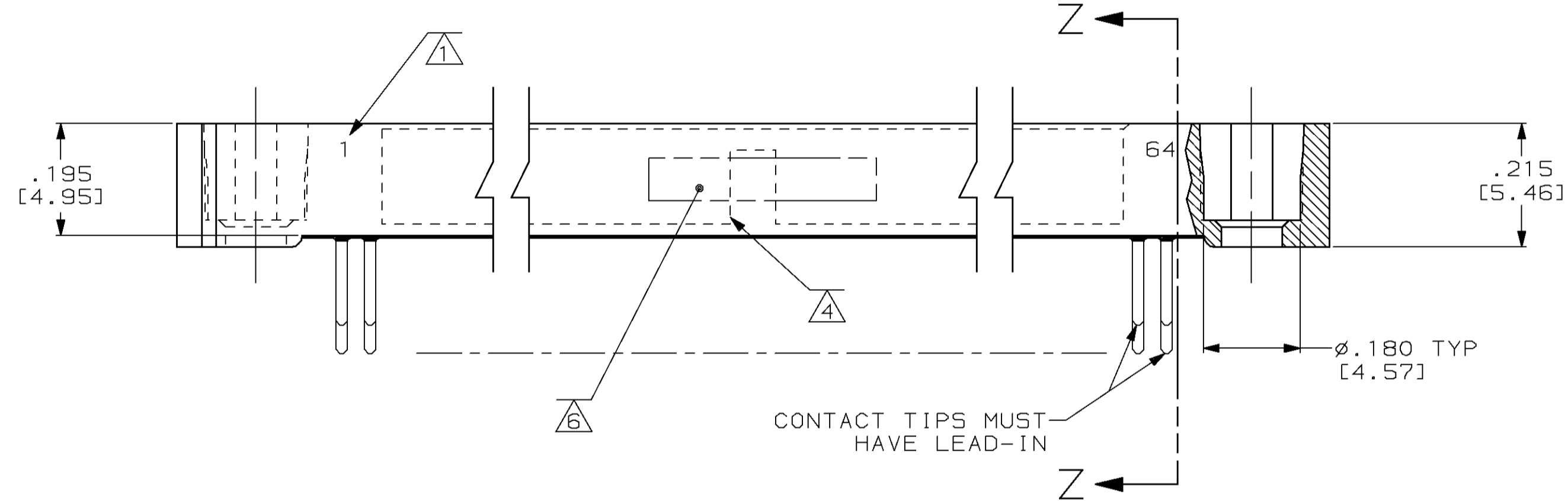
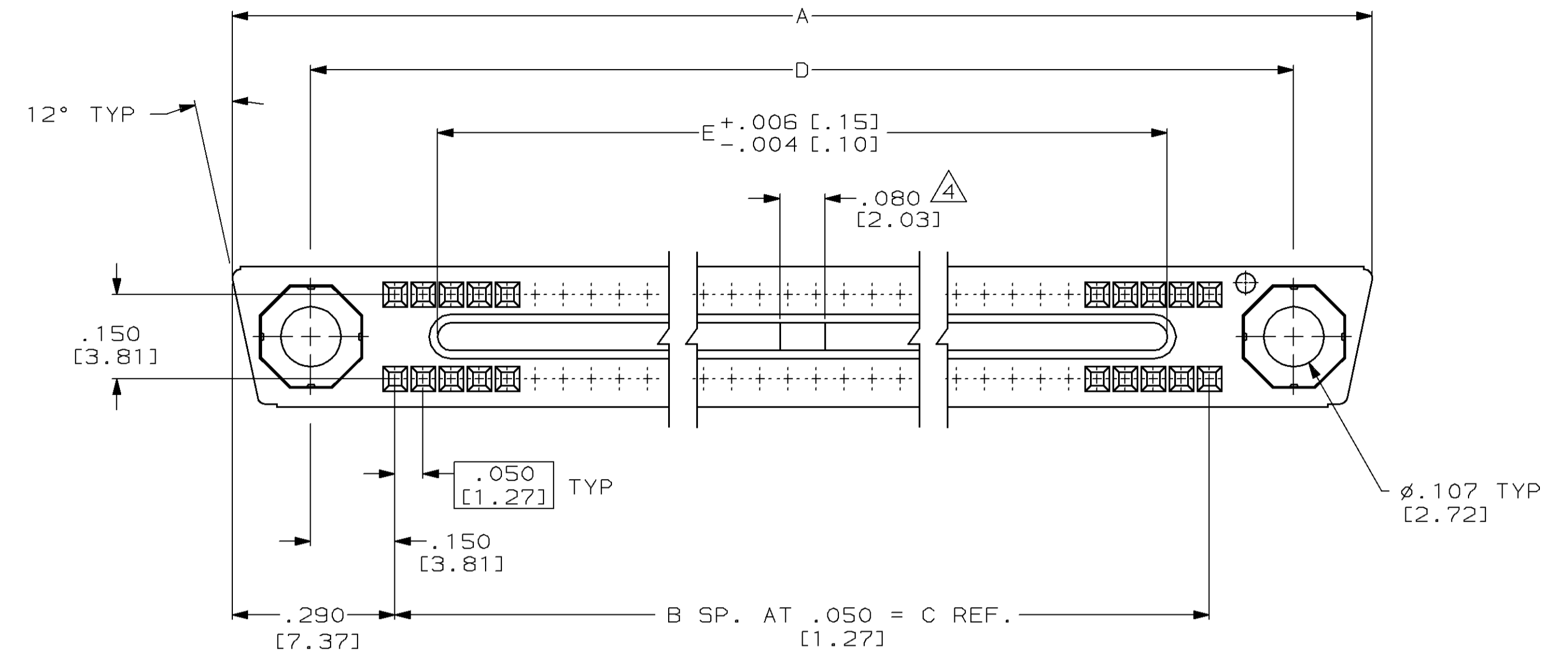
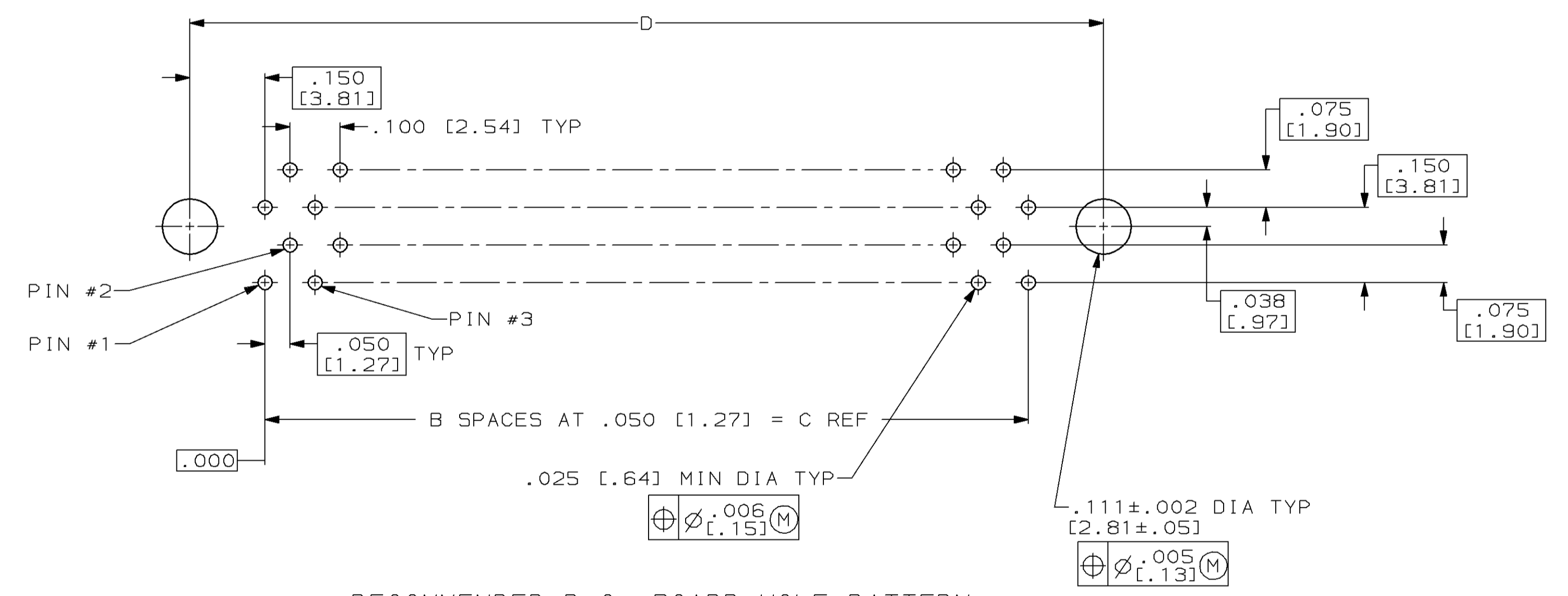


REVISIONS				
P	LTR	DESCRIPTION	DATE	APPD
E		REVISED PER ECO-16-017894	27APR2017	PHM CT



- 1. NUMBERS INDICATING END POSITIONS MARKED THIS SIDE ONLY.
- 2. MEETS ALL APPLICABLE REQUIREMENTS OF MIL-C-55302.
- 3. HOUSING MAT'L: LIQUID CRYSTAL POLYMER PER MIL-M-24519, GLCP30F, COLOR, GRAY
- 4. BRIDGE IN GROOVE N/A FOR 20 THRU 50 POSITIONS.
- 5. EPOXY IS ADDED TO BOTTOM OF HOUSING FOR INCREASED CONTACT RETENTION,
- 6. AMP, 00779, PART NO., CUSTOMER P/N AND DATE CODE MARKED WHITE APPROX. IN THIS AREA.
- 7. PART MUST PASS SEALING EFFECTIVENESS TESTING PER 109-9005



RECOMMENDED P.C. BOARD HOLE PATTERN
(CONNECTOR SIDE)

7060012-7	1 - 40	1.800 [45.72]	2.250 [57.15]	1.950 [49.53]	39	2.540 [64.52]	80	447888-5
7060012-3	1 - 20	.800 [20.32]	1.250 [31.75]	.950 [24.13]	19	1.540 [39.12]	40	447888-4
7060012-2	1 - 15	.550 [13.97]	1.000 [25.40]	.700 [17.78]	14	1.290 [32.77]	30	447888-3
7060012-11	1 - 64	3.000 [76.20]	3.450 [87.63]	3.150 [80.01]	63	3.740 [95.00]	128	447888-2
7060012-1	1 - 10	.300 [7.62]	.750 [19.05]	.450 [11.43]	9	1.040 [26.42]	20	447888-1
CUSTOMER P/N	CAVITY ID	E	D	C	B	A	POSN.	PART NUMBER

DO NOT SCALE PRINT.
 UNLESS SPECIFIED
 DIMENSIONS IN INCHES [mm]
 TOLERANCES ON:
 2 PLC DEC ± -
 3 PLC DEC ± .005 [0.13]
 ANGLES ± 0°30'

FINISH .000050 GOLD IN CONTACT AREA, TIN-LEAD ON TAILS

DR 8-30-91
 P. YEAGER
 CHK 9-3-91
 D. GUTTER
 APPD 9-3-91
 D. GUTTER
 APPD 4-4-93
 T. ALEXANDER
 PRODUCT SPEC -
 APPLICATION SPEC -
 WEIGHT -

STE TE Connectivity

NAME
 RECEPTACLE ASS'Y, MINI-BOX
 MILITARY, WITH LOW FORCE CONTACTS

SIZE	FSCM NO	DRAWING NO	REV
D	00779	447888	E
SCALE	5:1	SHEET	1 OF 1