

| Rev | AWO # | Description | Date | Appr |
|-----|-------|--------------|----------|-------|
| - | | RELEASED | 12/22/20 | |
| A | | UPDATE TITLE | 6/25/21 | WX/RC |

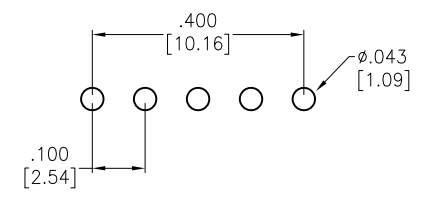
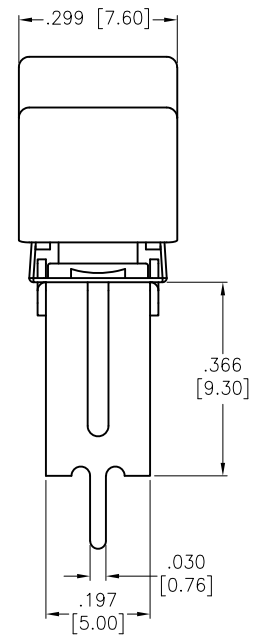
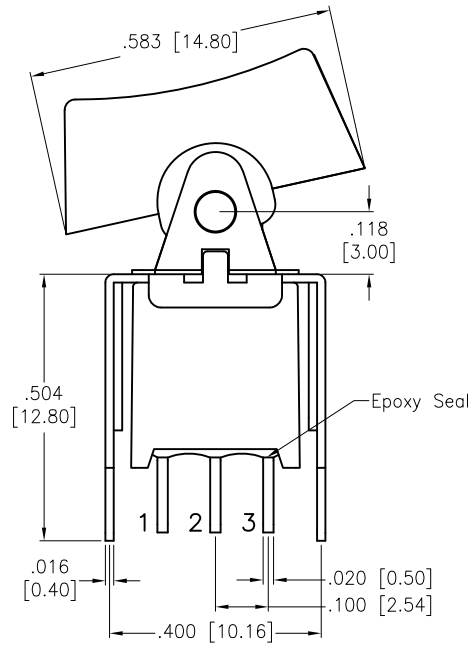
APPROVED: _____
 DATE: _____ TITLE: _____

D

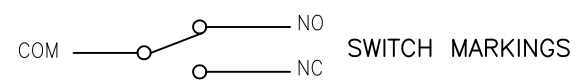
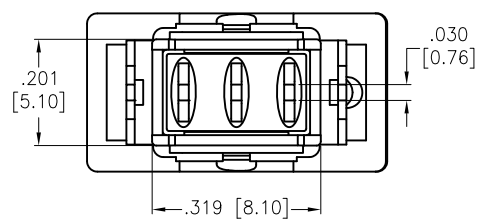
C

B

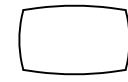
A



RECOMMENDED PCB LAYOUT



CIRCUIT DIAGRAM
 (SPDT) ON-ON



SPECIFICATIONS:
 Material:
 Movable contact: Copper Alloy, Gold over Nickel Plated
 Terminals: Copper Alloy, Gold over Nickel Plated
 Cap Actuator: Plastic, color Black
 Electrical:
 Rating: 0.4 VA max @20V max (AC or DC)
 Contact resistance: 20 mohms max initial
 Insulation resistance: 1,000 Mohms min
 Dielectric withstanding voltage: 1,500V RMS @ sea level
 Electrical life: 30,000 make and break cycles at full load
 Temperature Rating:
 Operating temperature: -30°C to +85°C
 Environmental:
 IP Class: IP67
 Lead free, RoHS compliant



| | | |
|---|--------------|----------|
| UNLESS OTHERWISE SPECIFIED ALL DIMENSIONS ARE INCHES [MM] TOLERANCES: EXCEPT AS NOTED | | |
| INCHES | | HOLES |
| .X ± .10 | Ø.X ± .10 | |
| .XX ± .020 | Ø.XX ± .015 | |
| .XXX ± .015 | Ø.XXX ± .010 | |
| APPROVALS | | DATE |
| DRAWN | LH | 12/22/20 |
| CHECKED | AC | 12/22/20 |
| APPROVED | | |

ADAM TECH 909 Rahway Avenue,
 Union, NJ 07083
 Phone: 908-687-5000
 Fax: 908-687-5710

TITLE: **SUB-MINIATURE ROCKER SWITCH, SPDT,
 ON-ON, PCB VERTICAL MOUNTING TYPE**

| | | |
|--------------|-------------------------------|--------------|
| SIZE X | PART NO. SW-R3-2B-B-5-G-14 | REV. A |
| REF: S00198T | SCALE: NTS | SHEET 1 OF 1 |

6

5

4

3

2

1

6

5

4

3

2

1