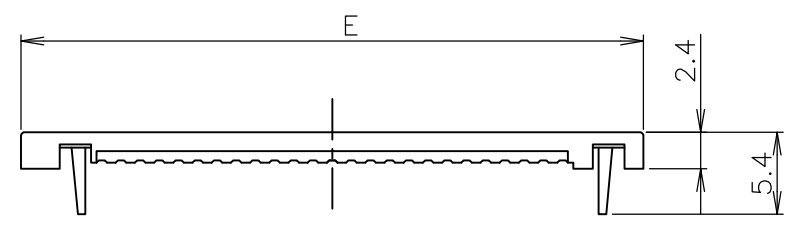
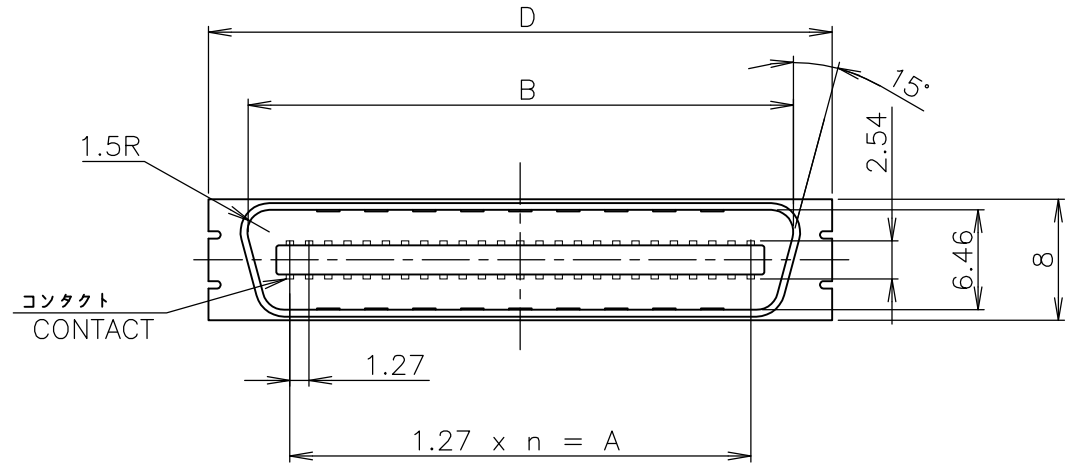
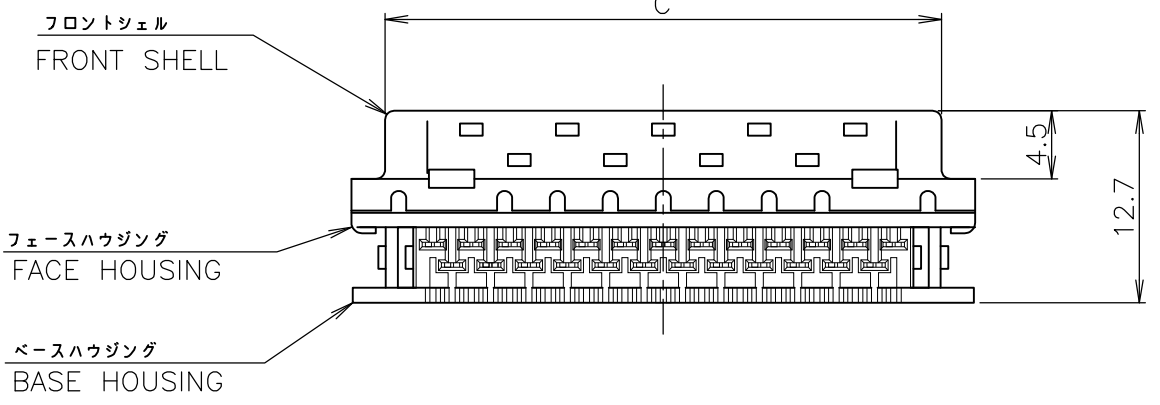
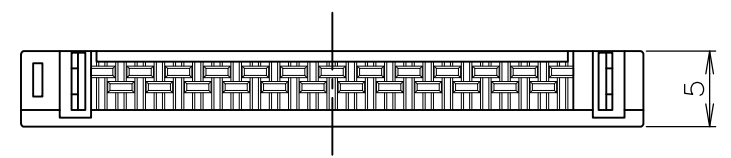


THIS DRAWING IS UNPUBLISHED. RELEASED FOR PUBLICATION  
 © COPYRIGHT By - ALL RIGHTS RESERVED.

LOC	DIST	REVISIONS					
		P	LTR	DESCRIPTION	DATE	DWN	APVD
J			A1	REVISED PER ECO-11-005033	25MAR11	RK	HMR



COVER HOUSING  
(2EA/KIT)



49.53	54.69	55.7	60.3	60.2	0.76u	39	80	3-5175677-0
62.23	67.45	68.4	73.0	72.9	0.76u	49	100	2-5175677-9
41.91	47.13	48.0	52.7	52.6	0.76u	33	68	2-5175677-8
30.48	35.70	36.6	41.3	41.2	0.76u	24	50	2-5175677-7
21.59	26.81	27.7	32.4	32.3	0.76u	17	36	2-5175677-5
15.24	20.46	21.4	26.0	25.9	0.76u	12	26	2-5175677-4
11.43	16.65	17.6	22.2	22.1	0.76u	9	20	2-5175677-2
7.62	12.84	13.7	18.4	18.3	0.76u	6	14	2-5175677-1
49.53	54.69	55.7	60.3	60.2	0.3 u	39	80	1-5175677-0
62.23	67.45	68.4	73.0	72.9	0.3 u	49	100	5175677-9
41.91	47.13	48.0	52.7	52.6	0.3 u	33	68	5175677-8
30.48	35.70	36.6	41.3	41.2	0.3 u	24	50	5175677-7
21.59	26.81	27.7	32.4	32.3	0.3 u	17	36	5175677-5
15.24	20.46	21.4	26.0	25.9	0.3 u	12	26	5175677-4
11.43	16.65	17.6	22.2	22.1	0.3 u	9	20	5175677-2
7.62	12.84	13.7	18.4	18.3	0.3 u	6	14	5175677-1
A	B	C	D	E	Au.PLATING	n	POS	PART No.

- NOTE
- MATERIAL & FINISH
    - \*CONTACT; COPPER ALLOY Au PL.0.3 AND 0.76 MIN. AT CONTACT AREA AND TIN PL. AT I.D. AREA OVER Ni PL.
    - \*FRONT SHELL; STEEL, Ni PL.
    - \*HOUSING(BASE,FACE,COVER); THERMO-PLASTIC,GF,UL 94V-0. BLACK
  - APPLICABLE WIRE; PLEASE CONFIRM TO TE CONNECTIVITY ENGINEERING.

TOLERANCES UNLESS OTHERWISE SPECIFIED  
 一般公差  
 10 ≧ ±0.2  
 30 ≧ > 10 ±0.25  
 100 ≧ > 30 ±0.3  
 ANGLES ±3°

THIS DRAWING IS A CONTROLLED DOCUMENT.

DIMENSIONS: mm	TOLERANCES UNLESS OTHERWISE SPECIFIED: 0 PLC ± 1 PLC ± 2 PLC ± 3 PLC ± 4 PLC ± ANGLES ±
MATERIAL SEE NOTES	FINISH SEE NOTES

DWN	COREL.WANG	19APR05
CHK	STEVEN YAO	19APR05
APVD	I.ENOMOTO	19APR05
PRODUCT SPEC		
APPLICATION SPEC		
WEIGHT		



CHAMP .050 PLUG CONN. KIT

SIZE	CAGE CODE	DRAWING NO	RESTRICTED TO
A3	00779	C-5175677	-

WIRE RANGE	INSULATION DIA
7/0.127mm(AWG#28)	0.5~0.7 mmφ

CUSTOMER DRAWING	SCALE	SHEET	REV
	2:1	1 OF 1	A1