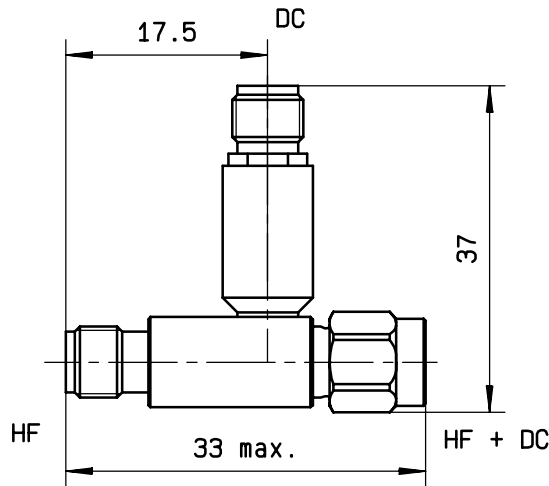


1.5- 6 GHz SMA MONITOR TEE

issue
24. apr. 95

Page
1 / 1

DRAWING



General tolerances: +/- 0.5 mm

R F CHARACTERISTICS

FREQUENCY RANGE : 1.5 - 6 GHz
IMPEDANCE : 50 Ohms

FREQUENCY	1.5 - 4 GHz	4 - 6 GHz
V.S.W.R	<= 1.20	<= 1.20
INSERTION LOSS	<= 0.20 dB	<= 0.40 dB
REJECTION ATT	>= 35 dB	>= 45 dB

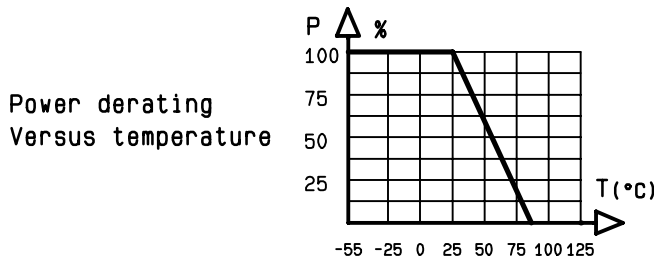
DC RESISTANCE OF INDUCTANCE : 0.15 Ohms
MAXIMUM DC CURRENT : 250 mA
MAXIMUM DC VOLTAGE : 100 V
TYPICAL CAPACITANCE : 10 pF
AVERAGE POWER at 25°C : 10 W

MECHANICAL CHARACTERISTICS

CONNECTORS : SMA male/female per MIL-C 39012
WEIGHT : < 15 g

ENVIRONMENTAL CHARACTERISTICS

OPERATING TEMPERATURE RANGE (°C) : -40 , +85
STORAGE TEMPERATURE RANGE (°C) : -40 , +85



This information is given as an indication. In the continual goal to improve our products, we reserve the right to make any modifications judged necessary

QUALITY
Dpt app. _____

CREATION
PEN : CAT
EP : -----
Nom : AB
Date : 24. apr. 95

ISSUE

REVISIONS

NAME

RADIALL®

101. Philibert Hoffmann | Phone: 33.1.49353535
- Z.I Ouest - | Fax : 33.1.48546363
93116 ROSNY/BOIS Cedex-FRANCE | Tlx RADIA 235220F