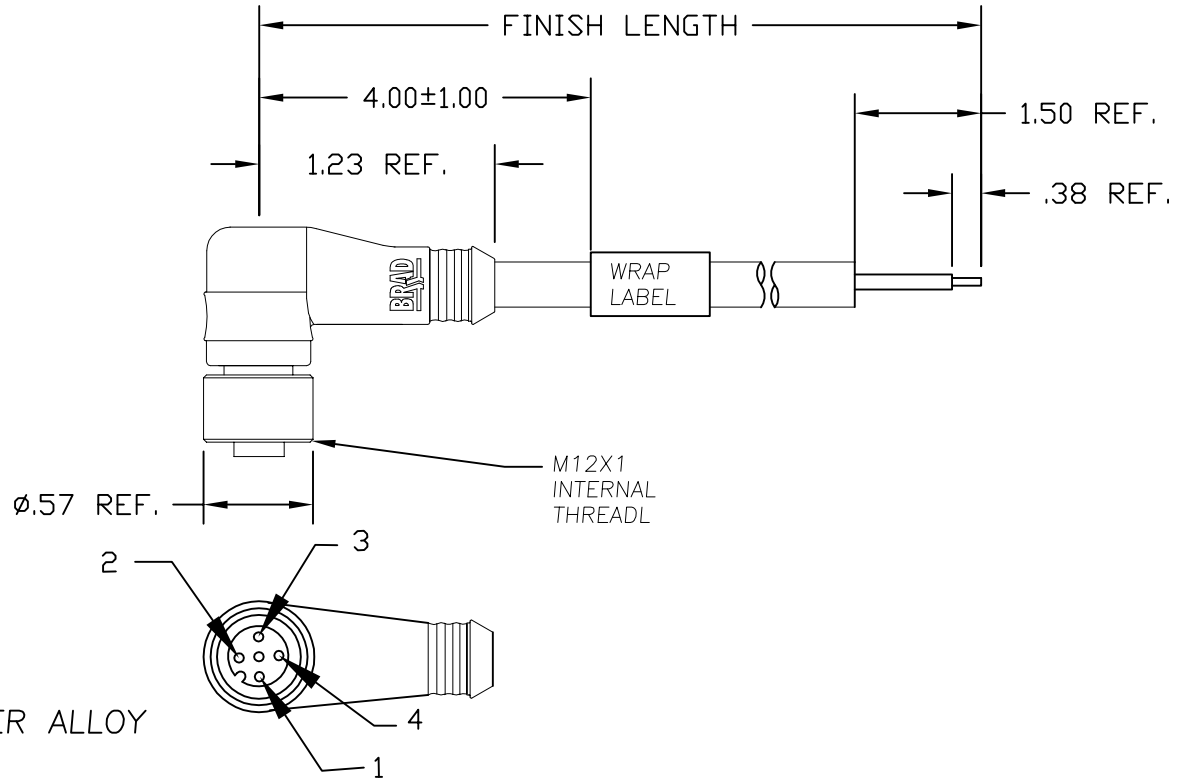


PART NUMBER  
804001A05MXXX8

CABLE LENGTH  
IN METER



MECHANICAL

- CONTACT: GOLD/NICKEL OVER COPPER ALLOY
- INSERT: BLACK PUR
- O-RING: VITON
- COUPLING NUT: STAINLESS STEEL 316
- OVERMOLD: YELLOW PUR
- CABLE: 18/4C AWG YELLOW PVC

- 1: BROWN
- 2: WHITE
- 3: BLUE
- 4: BLACK

ELECTRICAL

- VOLTAGE RATING: 250V
- AMPERAGE: 4A

ENVIRONMENTAL

PROTECTION: IP67

CERTIFICATION

- cCSAus
- RoHS COMPLIANCE

RELEASED EC NO: WEL2009-0435 DRWN: TWOLDEGE 6/3/09 CHKD: LHARTMAN APPR: JFMURPHY 2009/07/07	QUALITY SYMBOLS ▽=0 ▽C=0	GENERAL TOLERANCES (UNLESS SPECIFIED)		DIMENSION STYLE		SCALE	DESIGN UNITS	THIRD ANGLE PROJECTION		
			mm	INCH	----		1:1	INCH		
		4 PLACES	±---	±---	DRAWN BY DATE		TITLE <b>MICRO CHANGE ASSEMBLY          4-POLE FEMALE 90 DEGREE          18/4C AWG YELLOW PVC</b>			
		3 PLACES	±.005	±.005	<b>TWOLDEGE 2009/06/03</b> CHECKED BY DATE <b>LHARTMAN 2009/06/05</b>					
2 PLACES	±.013	±.010	APPROVED BY DATE		MOLEX INCORPORATED MATERIAL NO. 804000A05MXXX8 DOCUMENT NO. SD-120065-010 SHEET NO. 1 OF 1					
1 PLACE	±.025	±.020	---							
		ANGULAR ±--°								
		DRAFT WHERE APPLICABLE MUST REMAIN WITHIN DIMENSIONS								
				SIZE <b>A</b>		THIS DRAWING CONTAINS INFORMATION THAT IS PROPRIETARY TO MOLEX INCORPORATED AND SHOULD NOT BE USED WITHOUT WRITTEN PERMISSION				