

PTSLR0805

Low resistance SMD PTC fuses



Product features

- Positive temperature coefficient (PTC)
- Surface mount resettable fuse
- Low resistance
- Compact 0805 (2012 metric) footprint
- Voltage rating 6 V to 8 V
- Current rating from 0.75 A to 4.5 A
- Fast time-to-trip

Applications

- Data ports
- Micromotors and fans
- Low voltage test and measurement
- Low voltage hand held equipment
- PC-based medical equipment
- USB protection
- Secondary Li-ion battery protection
- Game consoles, set top boxes
- Battery charging & charging connections

Agency information

- cURus Recognized file no. E343021
- TUV: File R 50455924, R 50506608



Environmental compliance



Part number system/ordering:

PTSLR08058V200

- PT= PTC resettable fuse
- S= Surface mount
- LR = Low resistance
- 0805= Dimension code
- 8V= Maximum voltage
- 200= Ihold current rating (200= 2.0 A)

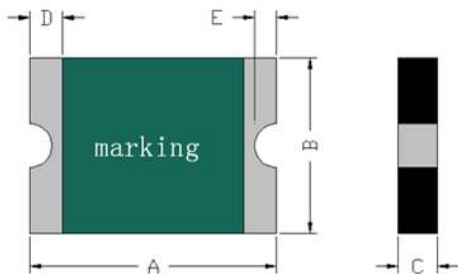
Product specifications

Part number	Vmax ¹	I _{max} ²	I _{hold} ³	I _{trip} ⁴	Pd ⁵	Time-to-trip (maximum)		Resistance ⁶		Part marking	Safety approvals	
	(V _{dc})	(A)	(A)	(A)	typical (W)	(A)	(seconds)	Initial (R _i) minimum (Ω)	Post trip (R ₁) maximum (Ω)		cURus	TUV
PTSLR08056V075	6	50	0.75	1.50	0.6	8	0.2	0.040	0.160	A	√	√
PTSLR08056V110	6	50	1.10	1.80	0.6	8	0.3	0.030	0.130	B	√	√
PTSLR08056V150	6	50	1.50	3.00	0.6	8	0.5	0.015	0.065	C	√	√
PTSLR08056V175	6	50	1.75	3.50	0.6	8	0.6	0.005	0.055	D	√	√
PTSLR08058V200	8	50	2.0	4.0	1.2	8	5	0.008	0.04	10	√	√
PTSLR08058V260	8	50	2.6	5.2	1.2	8	5	0.007	0.03	a	√	√
PTSLR08058V300	8	50	3.0	6.0	1.2	8	5	0.005	0.02	b	√	√
PTSLR08058V350	8	50	3.5	7.0	1.2	8	5	0.004	0.018	e	√	√
PTSLR08058V380	8	50	3.8	7.6	1.2	8	60	0.002	0.016	f	√	√
PTSLR08058V400	8	50	4.0	8.0	1.2	8	60	0.002	0.014	g	√	√
PTSLR08058V450	8	50	4.5	9.0	1.2	8	60	0.002	0.012	h	√	√

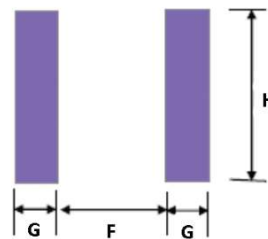
- V_{max}: Maximum continuous voltage the device can withstand without damage at rated current
- I_{max}: Maximum fault current the device can withstand without damage at rated voltage
- I_{hold}: Maximum current the device will pass without interruption at +23 °C still air
- I_{trip}: Minimum current that will transition the device from low resistance to high resistance at +23 °C still air
- Pd: Power dissipated from the device when in tripped state at +23 °C still air

- R_i: Minimum resistance of the device at +23 °C
R₁: Maximum resistance of the device one hour after tripping at +23 °C

Dimensions—mm



Recommended pad layout



Part number	A min	A max	B min	B max	C min	C max	D min	D max	E min	E max	F	G	H
PTSLR08056V075	2.00	2.22	1.20	1.50	0.40	0.70	0.15	0.55	0.05	0.45	1.2	1.0	1.5
PTSLR08056V110	2.00	2.22	1.20	1.50	0.40	0.70	0.15	0.55	0.05	0.45	1.2	1.0	1.5
PTSLR08056V150	2.00	2.22	1.20	1.50	0.50	0.88	0.15	0.55	0.05	0.45	1.2	1.0	1.5
PTSLR08056V175	2.00	2.22	1.20	1.50	0.50	0.88	0.15	0.55	0.05	0.45	1.2	1.0	1.5
PTSLR08058V200		2.50		1.60		0.70	0.20		0.10		1.2	1.0	1.5
PTSLR08058V260		2.50		1.60		0.70	0.20		0.10		1.2	1.0	1.5
PTSLR08058V300		2.50		1.60		1.00	0.20		0.10		1.2	1.0	1.5
PTSLR08058V350		2.50		1.60		1.00	0.20		0.10		1.2	1.0	1.5
PTSLR08058V380		2.50		1.60		1.00	0.20		0.10		1.2	1.0	1.5
PTSLR08058V400		2.50		1.60		1.40	0.20		0.10		1.2	1.0	1.5
PTSLR08058V450		2.50		1.60		1.40	0.20		0.10		1.2	1.0	1.5

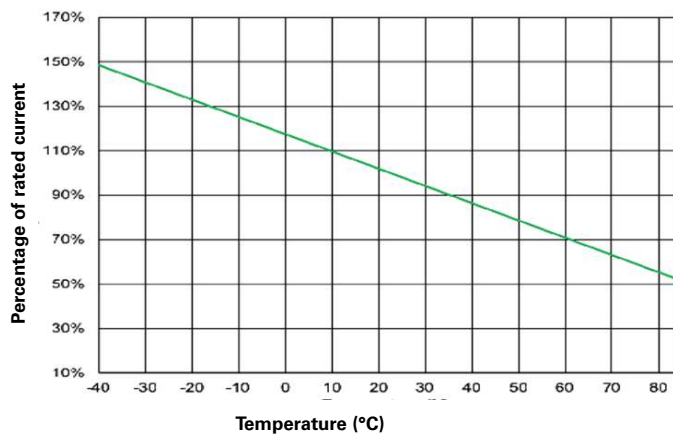
General specifications (PTSLR08056V075-V175)

Operating temperature: -40 °C to + 85 °C (with derating)
Storage temperature: -10 °C to + 40 °C
Storage relative humidity: ≤75%
Storage condition: Keep away from corrosive atmosphere and sunlight
Passive aging: IEC60738-1, +85 °C, 1000 hours
Humidity aging: +85 °C, 80 to 85% relative humidity, 100 hours
Rapid change of temperature: IEC60738-1, +85 °C to -40 °C, 20 cycles, 30 minutes each
Overload endurance: UL1434, Vmax, 120% Imax, 50 cycles Vmax, 300% Itrip, 6000 cycles
Trip endurance: UL1434, Vmax, Itrip ≤ Imax, 1000 hours
Solderability: IEC60068-2-58, +245 °C, 3 seconds
Moisture sensitivity test: J-STD-020, MSL=2a

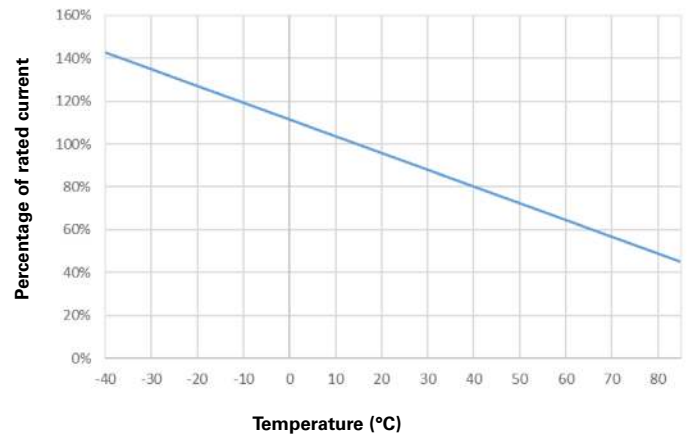
General specifications (PTSLR08058V200-V450)

Operating temperature: -40 °C to + 85 °C (with derating)
Storage temperature: -10 °C to + 40 °C
Storage relative humidity: ≤70%
Storage condition: Keep away from corrosive atmosphere and sunlight
Passive aging: IEC60738-1, +60 °C/90% RH, 168 hours, ≤3*R1max
Humidity aging: +85 °C, 85% RH, 96 hours, ≤3*R1max
Thermal shock: IEC60738-1, +85 °C/ -40 °C, 20 cycles, ≤3*R1max
Trip cycle life: UL1434, Vmax, Imax, 100 cycles, no arcing or burning
Trip endurance: UL1434, Vmax, Itrip ≤ Imax, 2 hours, no arcing or burning
Solvent resistance: Freon, Trichloroethane, Hydrocarbons: no change
Moisture sensitivity test: J-STD-020, MSL=2, pass and no visible damage

**Thermal derating curve
PTSLR08056V075-V175**

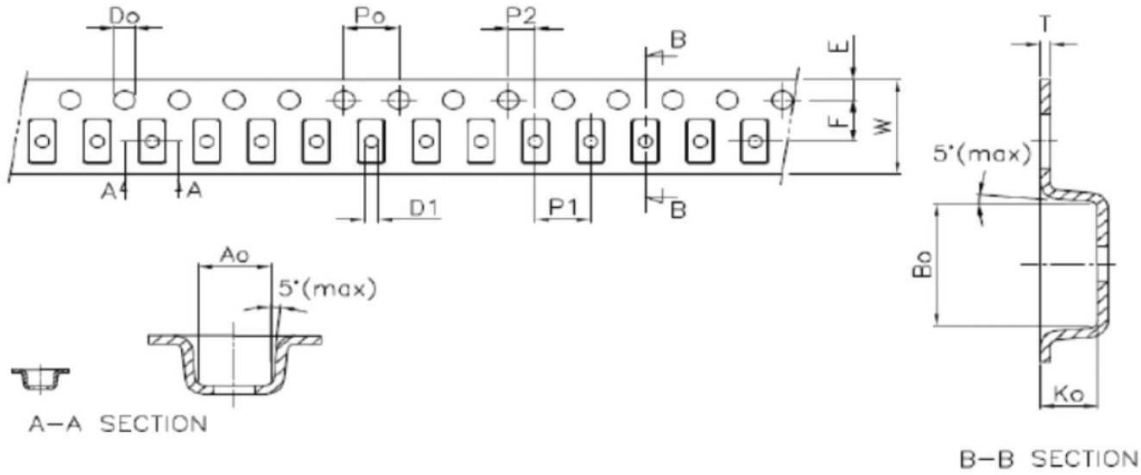


**Thermal derating curve
PTSLR08058V200-V450**



Packaging information
PTSLR08058V075-V175

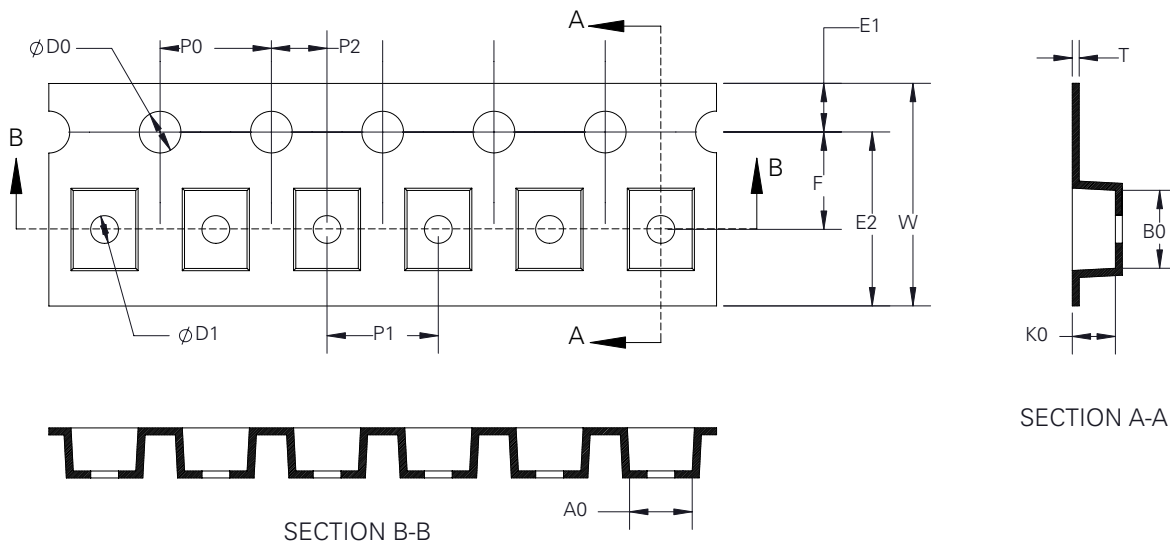
Supplied in tape and reel packaging, 4000 parts per 7.0" (178 mm) diameter reel (EIA-481 compliant)



A_0	B_0	K_0	P_0	P_1	P_2	T	E	F	D_0	D_1 min	W	$10P_0$
± 0.10	± 0.10	± 0.05	± 0.08	± 0.10	± 0.05	± 0.10	± 0.10	± 0.05	± 0.05		± 0.10	± 0.20
1.60	2.30	0.90	4.0	4.0	2.0	0.25	1.75	3.50	1.55	1.0	8.00	40

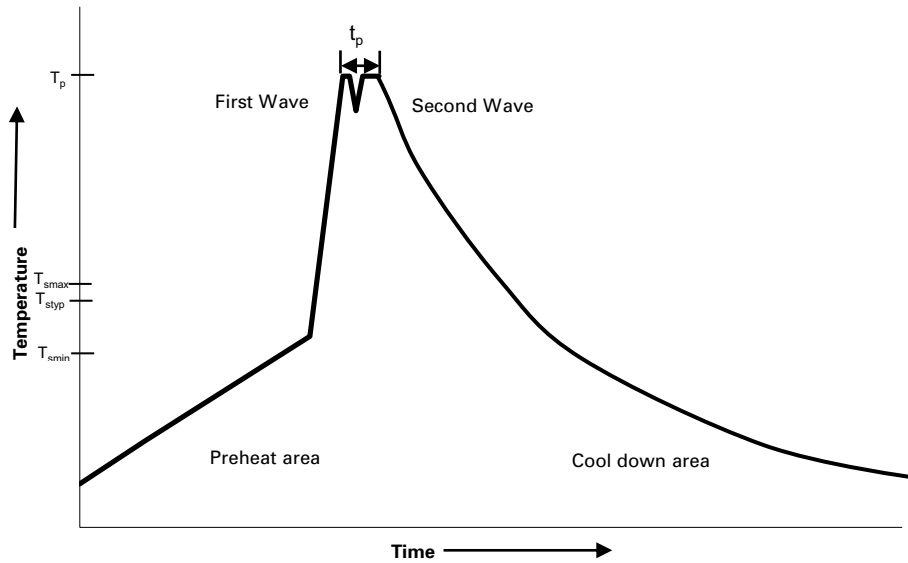
Packaging information
PTSLR08058V200-V450

Supplied in tape and reel packaging, 4000 parts per 7.0" (178 mm) diameter reel (EIA-481 compliant)



W	F	E_1	E_2	P_0	P_1	P_2	D_0	D_1	A_0	B_0	K_0	T
8.00 ± 0.30	3.50 ± 0.10	1.75 ± 0.10	-	4.00 ± 0.10	4.00 ± 0.10	2.00 ± 0.05	$1.50 + 0.10 / -0$	-	1.68 ± 0.10	2.44 ± 0.10	1.04 ± 0.10	0.22 ± 0.05

Wave solder profile



Reference EN 61760-1:2006

Profile feature	Standard SnPb solder	Lead (Pb) free solder
Preheat		
• Temperature min. (T_{smin})	100 °C	100 °C
• Temperature typ. (T_{styp})	120 °C	120 °C
• Temperature max. (T_{smax})	130 °C	130 °C
• Time (T_{smin} to T_{smax}) (t_s)	70 seconds	70 seconds
Δ preheat to max Temperature	150 °C max.	150 °C max.
Peak temperature (T_p)*	235 °C – 260 °C	250 °C – 260 °C
Time at peak temperature (t_p)	10 seconds max 5 seconds max each wave	10 seconds max 5 seconds max each wave
Ramp-down rate	~ 2 K/s min ~3.5 K/s typ ~5 K/s max	~ 2 K/s min ~3.5 K/s typ ~5 K/s max
Time 25°C to 25°C	4 minutes	4 minutes

Manual solder

+350 °C (4-5 seconds by soldering iron), generally manual/hand soldering is not recommended

Solder reflow profile

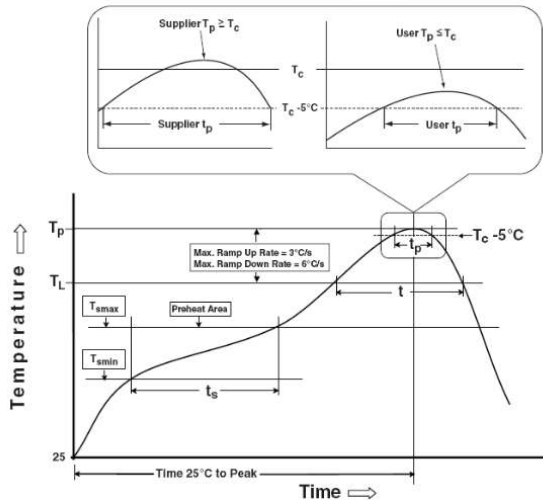


Table 1 - Standard SnPb solder (T_c)

Package thickness	Volume mm ³ <350	Volume mm ³ ≥350
<2.5 mm)	235 °C	220 °C
≥2.5 mm	220 °C	220 °C

Table 2 - Lead (Pb) Free Solder (T_c)

Package thickness	Volume mm ³ <350	Volume mm ³ 350 - 2000	Volume mm ³ >2000
<1.6 mm	260 °C	260 °C	260 °C
1.6 - 2.5 mm	260 °C	250 °C	245 °C
>2.5 mm	250 °C	245 °C	245 °C

Reference J-STD-020

Profile feature	Standard SnPb solder	Lead (Pb) free solder
Preheat and soak	<ul style="list-style-type: none"> Temperature min. (T_{smin}) Temperature max. (T_{smax}) Time (T_{smin} to T_{smax}) (t_s) 	<ul style="list-style-type: none"> 150 °C 200 °C 60-120 seconds
Ramp up rate T_L to T_p	3 °C/ second max.	3 °C/ second max.
Liquidous temperature (T_L) Time (t_L) maintained above T_L	<ul style="list-style-type: none"> 183 °C 60-150 seconds 	<ul style="list-style-type: none"> 217 °C 60-150 seconds
Peak package body temperature (T_p)*	Table 1	Table 2
Time (t_p)* within 5 °C of the specified classification temperature (T_c)	20 seconds*	30 seconds*
Ramp-down rate (T_p to T_L)	6 °C/ second max.	6 °C/ second max.
Time 25 °C to peak temperature	6 minutes max.	8 minutes max.

* Tolerance for peak profile temperature (T_p) is defined as a supplier minimum and a user maximum.

Life Support Policy: Eaton does not authorize the use of any of its products for use in life support devices or systems without the express written approval of an officer of the Company. Life support systems are devices which support or sustain life, and whose failure to perform, when properly used in accordance with instructions for use provided in the labeling, can be reasonably expected to result in significant injury to the user.

Eaton reserves the right, without notice, to change design or construction of any products and to discontinue or limit distribution of any products. Eaton also reserves the right to change or update, without notice, any technical information contained in this bulletin.

Eaton
Electronics Division
1000 Eaton Boulevard
Cleveland, OH 44122
United States
Eaton.com/electronics

© 2021 Eaton
All Rights Reserved
Printed in USA
Publication No. 11047 BU-ELX21075
June 2021

Eaton is a registered trademark.
All other trademarks are property of their respective owners.

Follow us on social media to get the latest product and support information.

