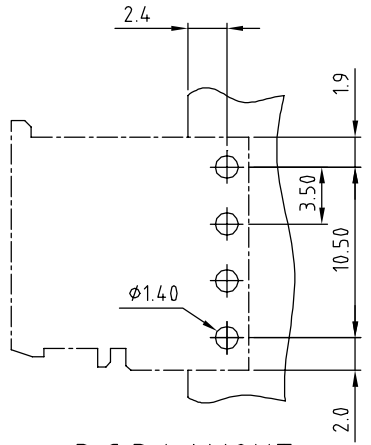
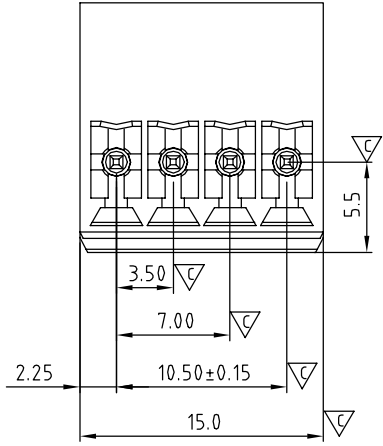


SIGN	DATE	DESCRIPTION	APPROVER
△	02/18'12	Change the pin chamfer	Aaron
△			

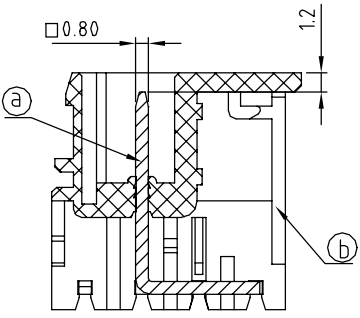
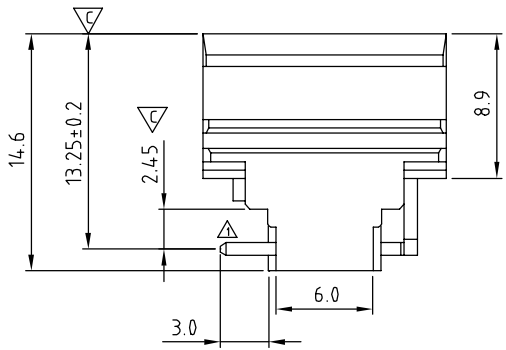
THIS IS CAD DRAWING, DO NOT REVISE MANUALLY!!!



P.C.B LAYOUT

- Material:
- Item ③ Male contact pin: Copper Tin plated
 - Item ④ Terminal(housing): Thermoplastic (UL94V-0)

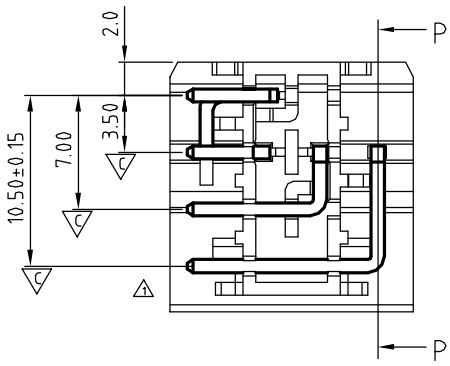
- Electrical:
- Voltage rating: 300V
 - Current rating: 10A
 - Withstanding Voltage: 1.6 KV
 - Operating temperature: -40°C to +115°C
 - Soldering temperature: 250°C±10°C/5 Sec
 - Safety Approval:
 - Critical dimension: ▽



Section P-P

EU 04 10 x 1 xxxx G

- COLOR
- 0 Black (RAL9005)
 - 2 Red (RAL3001/D)
 - 3 Orange(RAL2011/P)
 - 4 Yellow(RAL1018/A)
 - 5 Green(RAL6018/T)
 - 6 Blue (RAL5015/A)
 - 8 Grey(RAL7035/D)
 - 9 White(RAL1102)
 - C Green(RAL6018/U)
- RoHS compliant (lead<4%)
In copper Alloy
- 0000 Standard @ Logo
000A Standard ANY Logo
Any special item by customer request, please contact sales department.



ANYTEK				CUSTOMER COPY			
TITLE		EU 3.5 SERIES 4P (Left)		DWG NO.		8EU0104	
PART NO.		EU0410x1xxxxG		CUST NO.			
APPROVED	CHECKED	DESIGNED	DRAWN			Tolerance	
		Aaron 2012.02.18	Jacke 2010.07.17			UNIT: mm	X. ±0.50
				SHEET: 01/01		SCALE: NONE	X.XX ±0.10
				REV.: C		X° ±1°	