

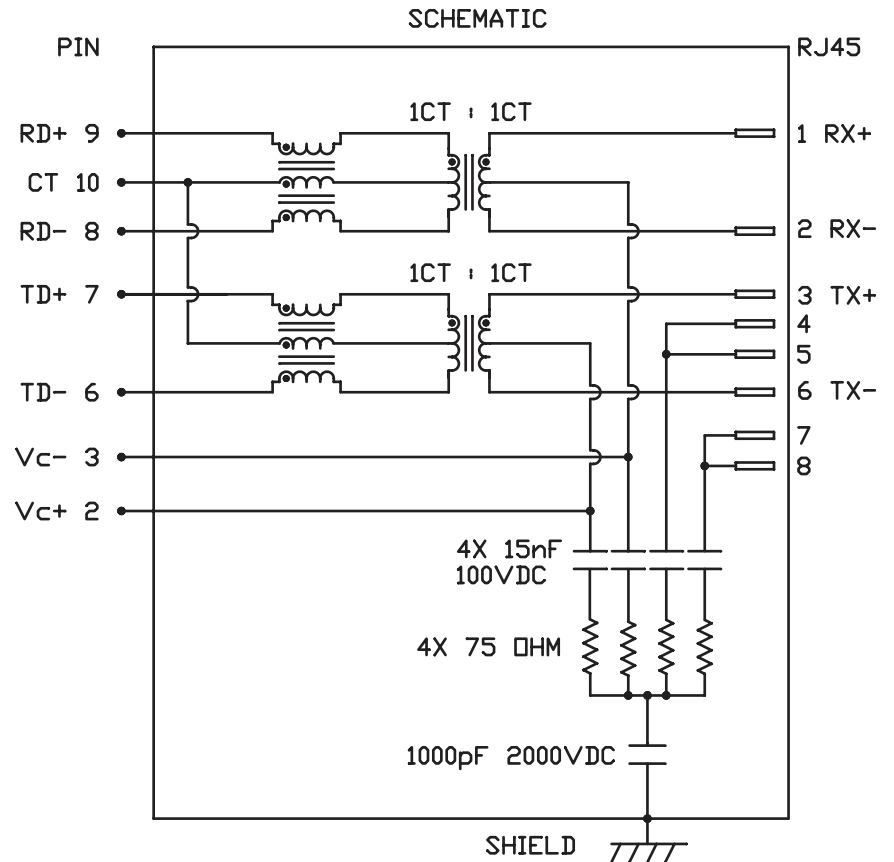
INTEGRATED CONNECTOR MODULES

0833-2X8R-BU-F Power over Ethernet Plus MagJack® 2 x 8



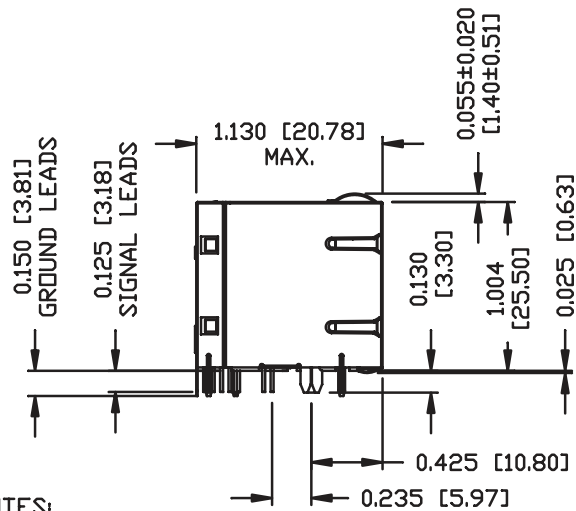
ELECTRICAL CHARACTERISTICS @ 25°C

| | |
|--|--|
| TURNS RATIO □CL @ 100mV, 100KHz 8mA DC BIAS INSERTION LOSS 100KHz TO 100MHz RETURN LOSS (MIN.) 2MHz-30MHz 60MHz-80MHz LEAKAGE INDUCTANCE PRIMARY W/ SECONDARY SHORTED D.C. RESISTANCE (9-8)=(7-6) (RJ1-RJ2)=(RJ3-RJ6) INTERWINDING CAPACITANCE PER CHANNEL (PRI. to SEC.) XTALK 100KHz TO 100MHz HIPOT (Isolation Voltage): 100% OF PRODUCTION TESTED TO COMPLY WITH IEEE 802.3 ISOLATION REQUIREMENTS. BALANCED DC LINE CURRENT | 1CT : 1CT ±2% 350µH MIN. -1.5 dB MAX. -16 dB MIN. -10 dB MIN. 0.25 µH MAX. @ 1MHz 1.4 ΩM. 1.0 ΩM. 40 pF MAX. -30 dB MIN. 2250 VDC 720 mA MAX. @ 57 VDC CONTINUOUS 1.2 A MAX. @ 57 VDC for 200 MILLISECONDS |
|--|--|



INTEGRATED CONNECTOR MODULES

0833-2X6R-BU-F Power over Ethernet Plus MagJack® 2 x 8

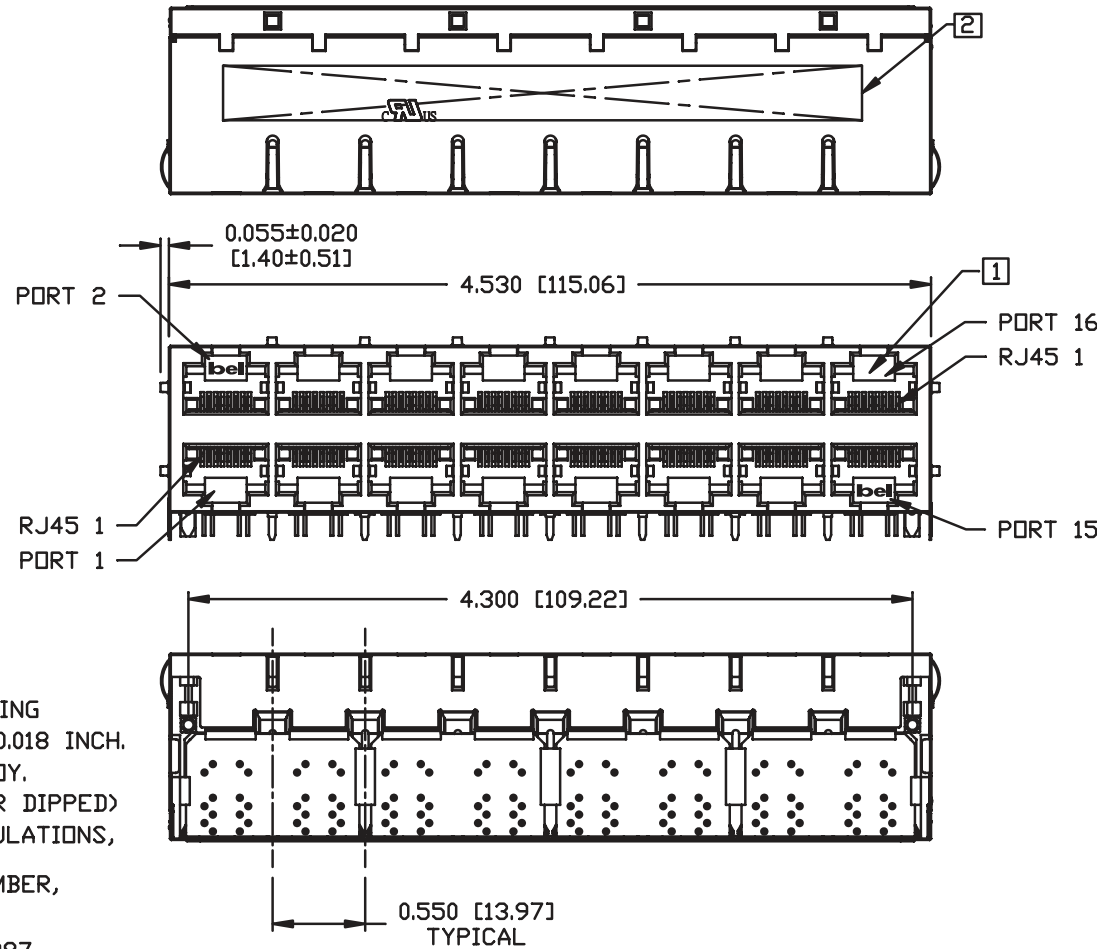


NOTES:

- PLASTIC HOUSING: THERMOPLASTIC PBT
FLAMMABILITY RATING UL 94V-0
- CONTACT PLATING: 50 MICRO-INCH HARD GOLD PLATING
- OUTPUT PINS: TIN-COATED COPPER WIRE, DIA 0.018 INCH.
- METAL SHIELD: NICKEL PLATED ON COPPER ALLOY.
(ALL GROUND LEADS ARE SOLDER DIPPED)

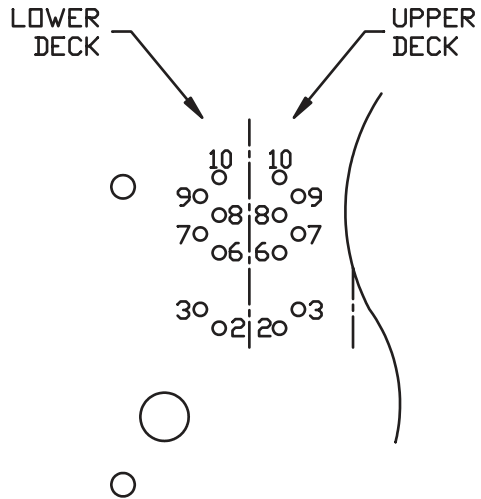
1. JACK CAVITY CONFORMS TO FCC RULES AND REGULATIONS, PART 68 SUBPART F.
2. MARK PART WITH MFG LOGO, MFG NAME, PART NUMBER, AND DATE CODE.

UL RECOGNIZED - FILE #E196366 AND E169987.
3. RoHS COMPLIANCE, PER EU DIRECTIVE 2002/95/EC.



INTEGRATED CONNECTOR MODULES

0833-2X8R-BU-F Power over Ethernet Plus MagJack® 2 x 8

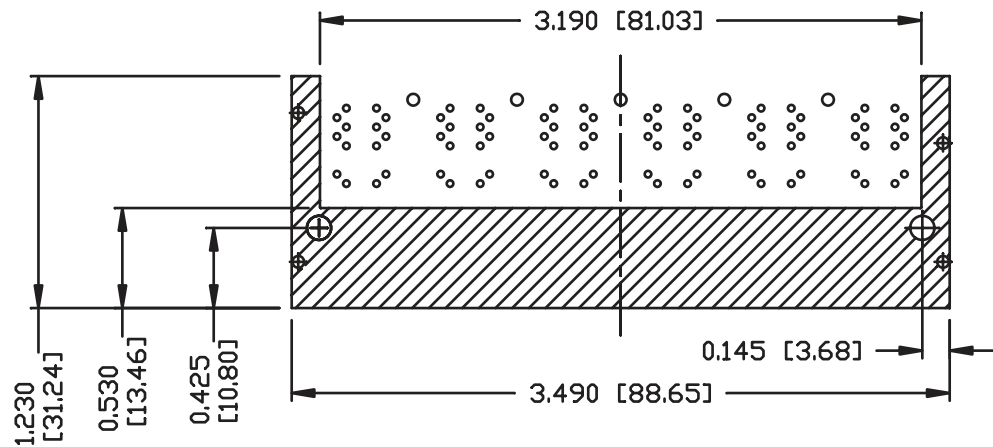
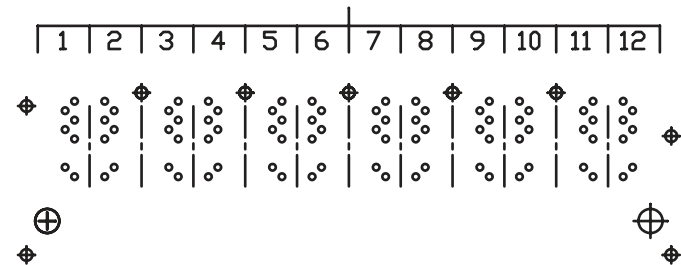


PIN-OUT INFORMATION
(COMPONENT SIDE VIEW)

| | |
|----|-----------|
| 10 | COMMON CT |
| 9 | RD+ |
| 8 | RD- |
| 7 | TD+ |
| 6 | TD- |
| 5 | NO PIN |
| 4 | NO PIN |
| 3 | Vc- |
| 2 | Vc+ |
| 1 | NO PIN |

UNUSED PIN LOCATIONS MUST BE REMOVED TO ENSURE 2KV ISOLATION.

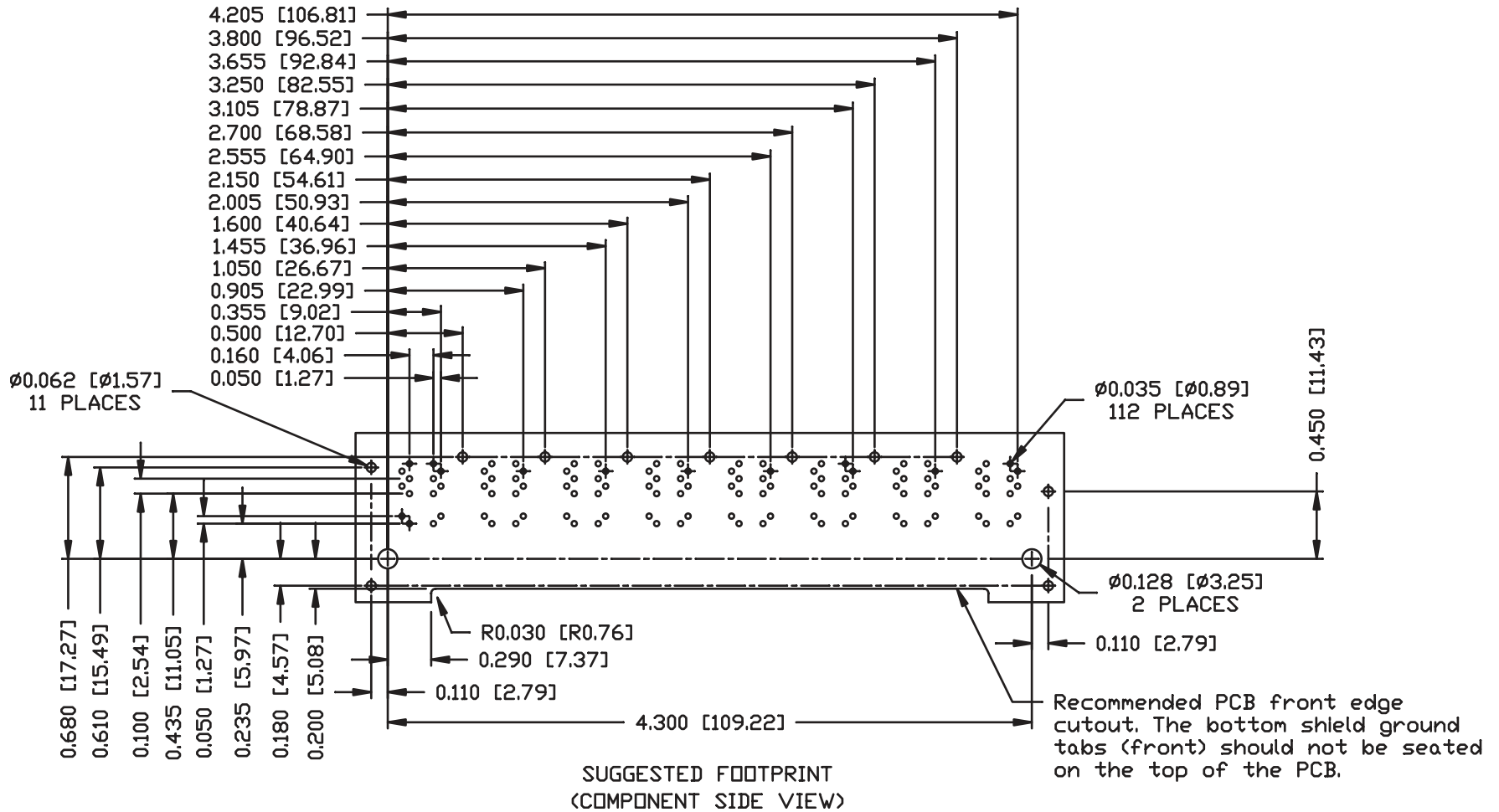
PORT ASSIGNMENT
(COMPONENT SIDE VIEW)



THE SHADED AREA ON THE CUSTOMER BOARD ARE RECOMMENDED TO BE CLEAR OFF ANY VIA HOLE OR COMPONENT PAD.

INTEGRATED CONNECTOR MODULES

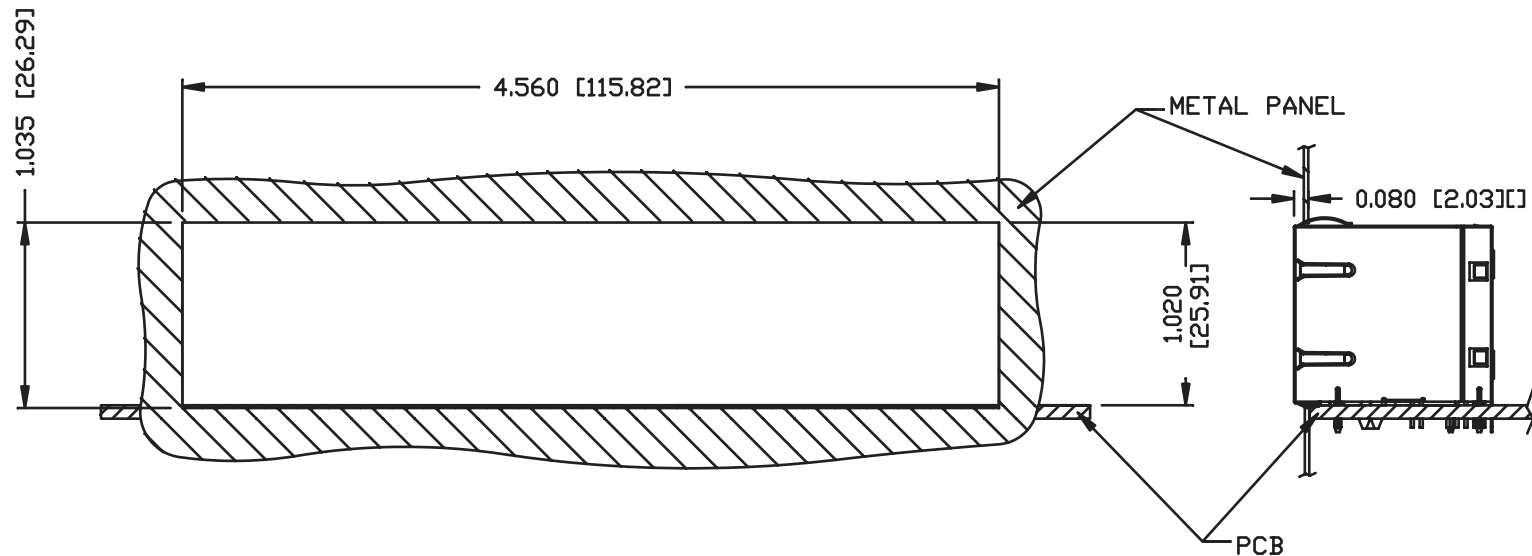
0833-2X6R-BU-F Power over Ethernet Plus MagJack® 2 x 8



INTEGRATED CONNECTOR MODULES
0833-2X8R-BU-F Power over Ethernet Plus MagJack® 2 x 8



SUGGESTED PANEL OPENING



NOTE:

THE DISTANCE OF PANEL INSIDE SURFACE RELATIVE TO FRONT SURFACE OF PART IS ONLY A SUGGESTION. IN CASE THIS DISTANCE IS DIFFERENT, THE REQUIRED PANEL OPENING DIMENSIONS CHANGE ACCORDINGLY.

PACKING INFORMATION

PACKING TRAY : 0200-9999-B2 (TOP)
 0200-9999-B1 (BOTTOM)

PACKING QUANTITY : 10 PCS FINISHED GOODS PER TRAY
 7 TRAYS (70 PCS FINISHED GOODS) PER CARTON BOX

NOTE : CARDBOARDS ARE PLACED BETWEEN LAYERS OF PACKING TRAY INSIDE CARTON BOX
 (INCLUDE THE UPPERMOST AND LOWERMOST TRAY)