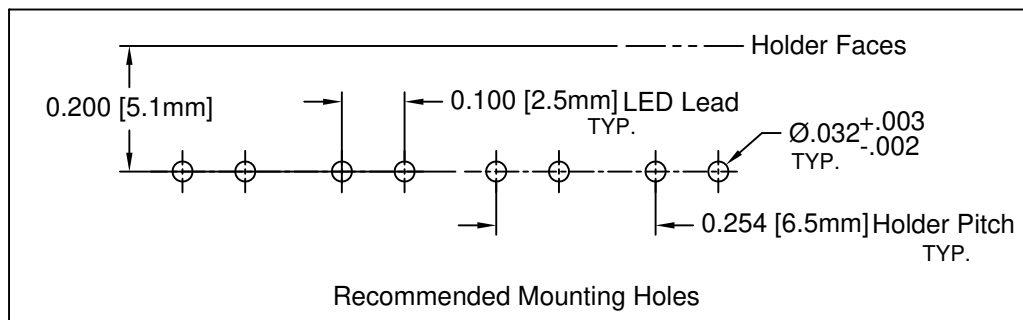
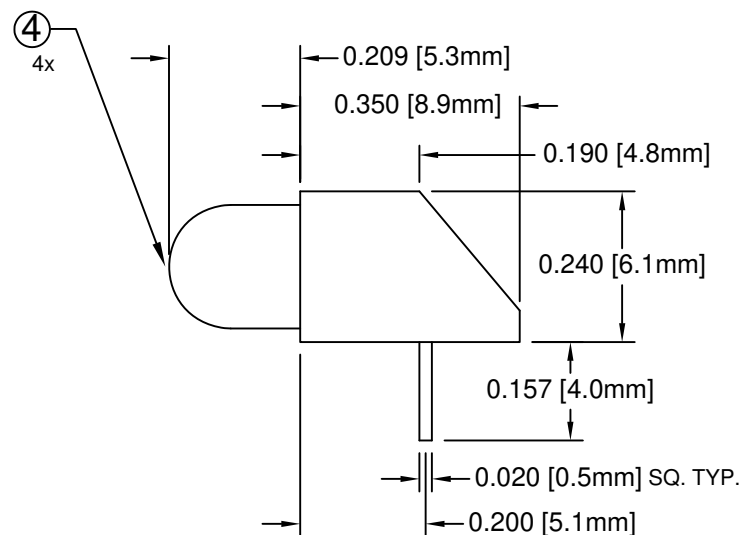
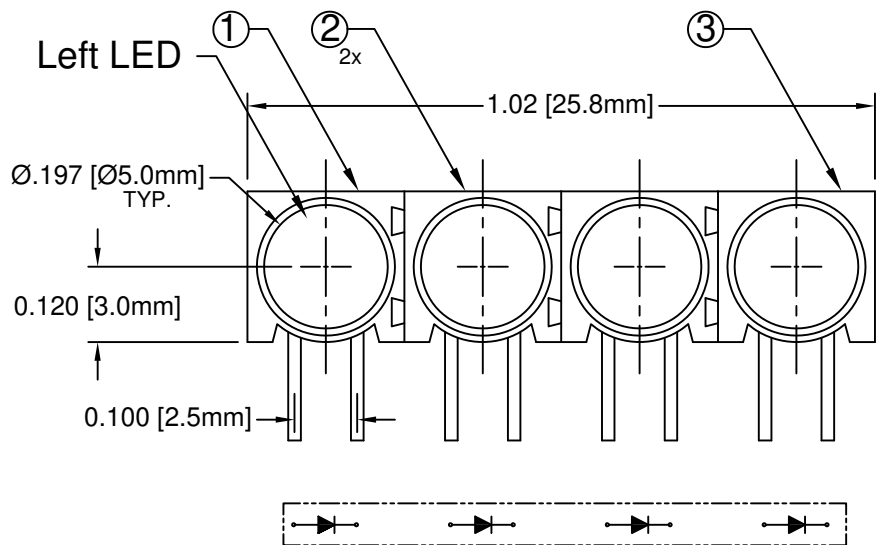
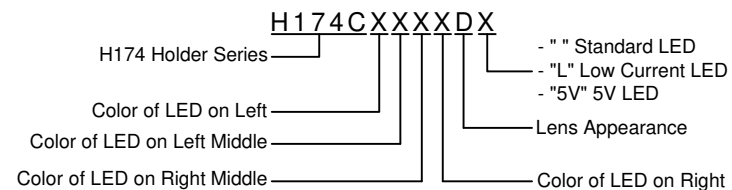


ITEM	Q'TY	PART NUMBER	PART DESCRIPTION
1	1	H-176C-2	T-1¼ (5mm) LED Holder, 90° Mount, Interlocking Left End
2	2	H-175C-2	T-1¼ (5mm) LED Holder, 90° Mount, Interlocking Center
3	1	H-177C-2	T-1¼ (5mm) LED Holder, 90° Mount, Interlocking Right End
4	4	5XX	T-1¼ (5mm) Non-Flange LED, May Vary, See Page 2

REV.	DESCRIPTION	DATE	APPROVED
B	Corrected Holders from H-17XC to H-17XC-1	03/03/05	M. C.
C	Changed Holders from H-17XC-1 to H-17XC-2	02/14/07	M. C.
D	Added H174CXR8.515 Specs	05/30/08	M. C.
E	Updated LED Protrusion	08/05/09	T. Y.
F	Added PN Configuration Notes	01/24/11	T. Y.
G	Engineering Update w/o Changes	06/20/16	J. C.



NOTE: P/N DESIGNATION



-If LEDs are the same color, use e.g. H174CGD
 All Green LEDs



ABSOLUTE MAXIMUM RATINGS (Ta=25° C)

REVERSE VOLTAGE	5V
REVERSE CURRENT	100uA
OPERATING TEMPERATURE RANGE	-25° C - 85° C
STORAGE TEMPERATURE	-30° C - 100° C
LEAD SOLDERING TEMPERATURE(1/16" FROM BODY)	260° C FOR 5 SECONDS

STANDARD TOLERANCE (UNLESS OTHERWISE SPECIFIED)		BIVAR®	
DECIMALS	ANGULAR	4 THOMAS, IRVINE, CA. 92618	
.X ± .1	X° ± 1°	TEL: (949) 951-8808 FAX: (949) 951-3974	
.XX ± .02		TITLE: T-1¼ (5MM) 90° SINGLE-LEVEL QUAD-STATION ARRAY	
.XXX ± .010		PART NO: H174CXX	REVISION: G
DESIGNED: T. Yin	DATE: 03/05/04	CAGE CODE : 32559	SHEET # 1 OF 2
CHECKED: D. Green	DATE: 03/05/04	CAD GENERATED DOCUMENT. DO NOT MEASURE DRAWING.	

REV.	DESCRIPTION	DATE	APPROVED
	SEE SHEET #1		

LED Assy. No.	Peak Wave Length λ_p (nm)	Emitted Color	Lens Appearance	Electro-Optical Data				Viewing Angle $2\theta_{1/2}$ (Deg)	LED P/N
				If (mA)	Vf (V)		Iv (mcd)		
				TYP	TYP	MAX	TYP		
STANDARD				Data @ 20mA					
H174CBWD	430	BLUE	DIFFUSED	20	4.0	4.5	15	45	5BWD
H174CGD	568	GREEN	DIFFUSED	20	2.1	2.8	25	45	5GD
H174CYD	590	YELLOW	DIFFUSED	20	2.0	2.8	25	45	5YD
H174CHD	625	HE RED	DIFFUSED	20	2.0	2.8	25	45	5HD
H174CRD	700	RED	DIFFUSED	20	2.1	2.8	2	45	5RD
H174CSRDL	645	SUPER RED	DIFFUSED	20	1.7	2.4	40	45	5SRD
H174CXRC8.515	635	RED	WATER CLEAR	20	2.2	2.7	8500	15	5XRC8.515
LOW CURRENT				Data @ 2mA					
H174CGDL	568	GREEN	DIFFUSED	2	2.1	2.6	5	45	5GDL
H174CYDL	590	YELLOW	DIFFUSED	2	2.0	2.6	4	45	5YDL
H174CHDL	625	HE RED	DIFFUSED	2	2.0	2.6	5	45	5HDL
5 VOLT				Data @ 5V					
H174CGD5V	568	GREEN	DIFFUSED	10	-	5.0	25	45	5GD5V
H174CYD5V	590	YELLOW	DIFFUSED	10	-	5.0	20	45	5YD5V
H174CHD5V	625	HE RED	DIFFUSED	10	-	5.0	25	45	5HD5V

STANDARD TOLERANCE (UNLESS OTHERWISE SPECIFIED) $\pm 10\%$ ALL VALUES ANGULAR		 BIVAR [®] 4 THOMAS, IRVINE, CA. 92618 TEL: (949) 951-8808 FAX: (949) 951-3974	
			
DESIGNED: T. Yin	DATE: 03/05/04	TITLE: T-1¼ (5MM) 90° SINGLE-LEVEL QUAD-STATION ARRAY	
CHECKED: D. Green	DATE: 03/05/04	PART NO: H174CXX	REVISION: G
		CAGE CODE : 32559	SHEET # 2 OF 2
CAD GENERATED DOCUMENT. DO NOT MEASURE DRAWING.			