

4

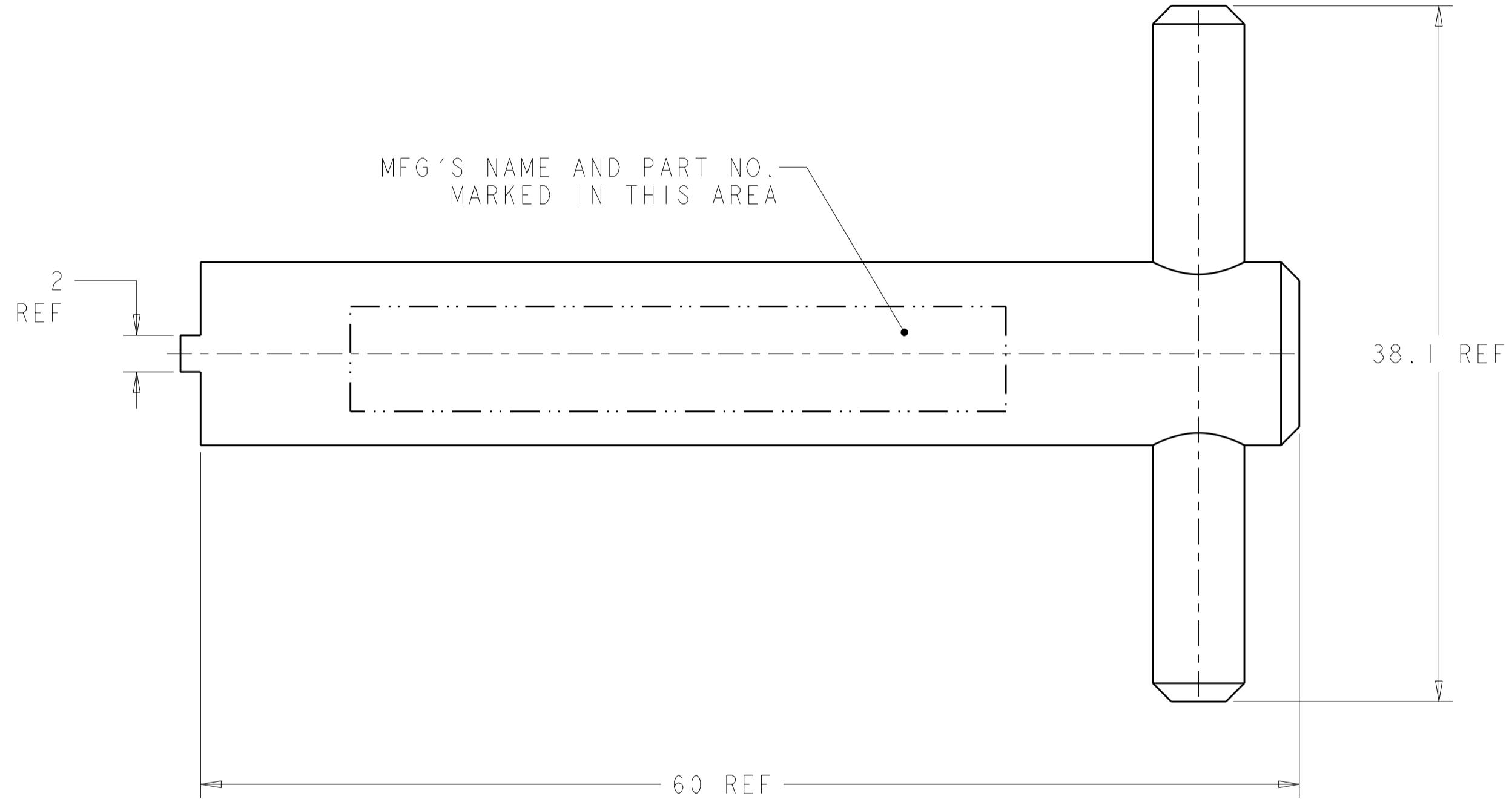
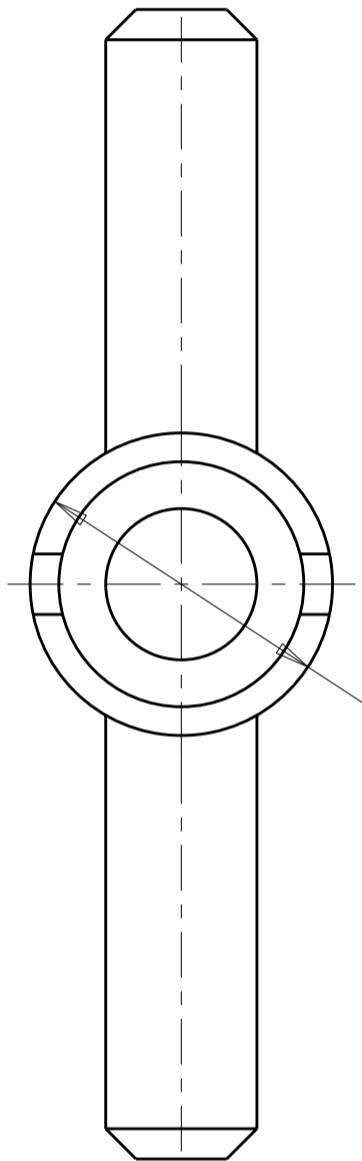
3

2

1

THIS DRAWING IS UNPUBLISHED. RELEASED FOR PUBLICATION
 © COPYRIGHT BY TYCO ELECTRONICS CORPORATION. ALL RIGHTS RESERVED.

LOC		DIST		REVISIONS			
P	LTR	DESCRIPTION	DATE	DWN	APVD		
-	-	A	RELEASED PER ECO 10-026167	1-23-11	CT	BW	



- MAT'L: STAINLESS STEEL.
- THIS PRODUCT IS SOLD BY TYCO ELECTRONICS UNDER A LICENSE FROM RADIAL SA.

1738221-1
PART NUMBER

THIS DRAWING IS A CONTROLLED DOCUMENT FOR TYCO ELECTRONICS CORPORATION. IT IS SUBJECT TO CHANGE AND THE CONTROLLING ENGINEERING ORGANIZATION SHOULD BE CONTACTED FOR THE LATEST REVISION.		DWN	CJV	03NOV2005	Tyco Electronics Harrisburg, PA 17105-3608		
DIMENSIONS:		CHK	JPM	03NOV2005	NAME		
mm	TOLERANCES UNLESS OTHERWISE SPECIFIED:	APVD	JPM	03NOV2005	SPIGOT WRENCH FOR LOCKING DEVICE		
	0 PLC ±	PRODUCT SPEC	-				
	1 PLC ±0.5	APPLICATION SPEC	-				
	2 PLC ±0.13	WEIGHT	-				
	3 PLC ±0.013	SCALE	4:1				
	4 PLC ±0.0001	SHEET	1 OF 1				
MATERIAL	FINISH	CUSTOMER DRAWING	SIZE	A200779	DRAWING NO	C-1738221	RESTRICTED TO
			REV	A			