

THIS DRAWING IS UNPUBLISHED.

RELEASED FOR PUBLICATION

ALL RIGHTS RESERVED.

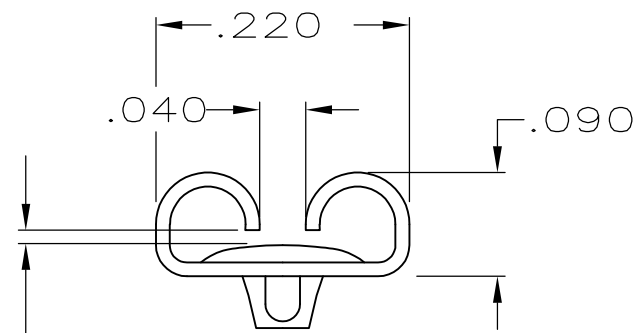
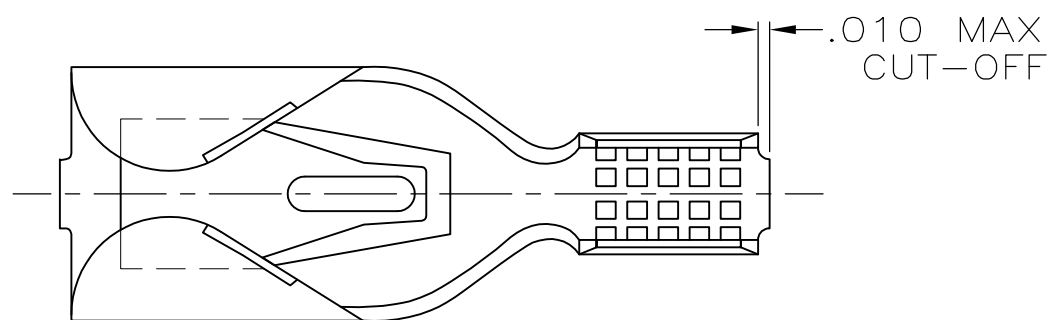
© COPYRIGHT - By -

LOC AF DIST 50

REVISIONS

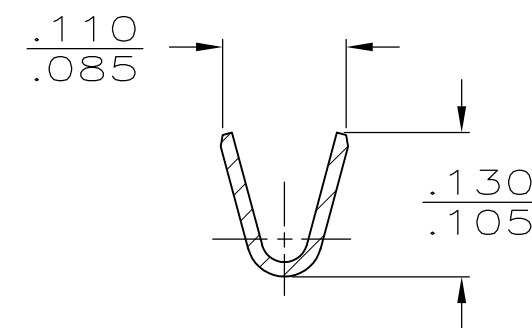
P	LTR	DESCRIPTION	DATE	DWN	APVD
	C	REVISED PER ECR-13-005733	26AUG2013	KH	PD

1 CONTINUOUS STRIP ON REEL

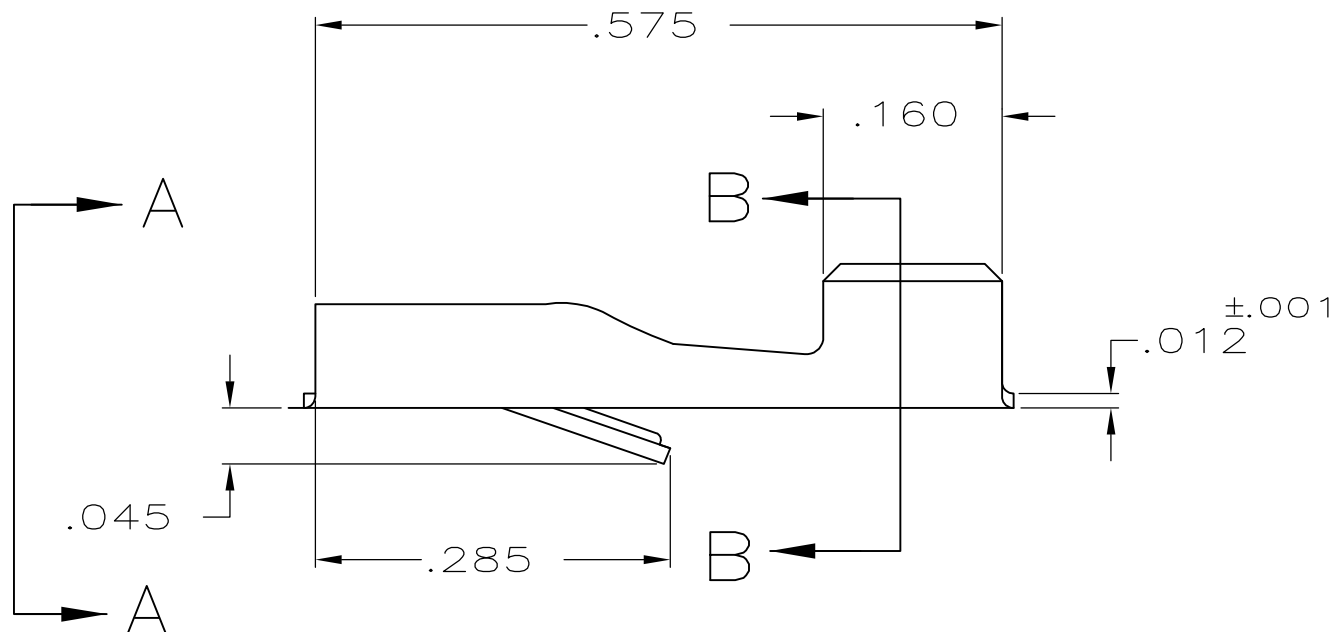


FITS .187 SERIES FASTON CHANNEL TAB

VIEW A-A



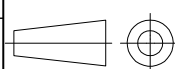
SECTION B-B



.188	F	.080	.060	16
			.052	18
			.047	20
STRIP LENGTH ±.015	TYPE	WIDTH	±.002 HEIGHT	WIRE
WIRE BARREL CRIMP				

THIS DRAWING IS A CONTROLLED DOCUMENT.

DIMENSIONS: INCHES



MATERIAL BRASS

TOLERANCES UNLESS OTHERWISE SPECIFIED:

- 0 PLC ± -
- 1 PLC ± -
- 2 PLC ± -
- 3 PLC ± .010
- 4 PLC ± -
- ANGLES ± -

FINISH PRE-TIN

DWN JR RUTH 2/18/89

CHK MS FEHER 2/18/89

APVD J GILLESPIE 2/18/89

PRODUCT SPEC R KUZO 2/18/89

APPLICATION SPEC

114-2065

WEIGHT -

CUSTOMER DRAWING

.020		63521-1	
MATING TAB THK ±.001		PART NO	
<b>STE</b> TE Connectivity			
RECEPTACLE, FASTIN-FASTON, .187 SERIES			
SIZE	CAGE CODE	DRAWING NO	RESTRICTED TO
A3	00779	C-63521	-
SCALE 6:1		SHEET 1 OF 1	REV C