

IHS series

Hall effect pushbutton switches •
bushing Ø 12 mm • momentary



DISTINCTIVE FEATURES

- Momentary pushbutton (NO)
- 5 million cycles
- Low behind-panel depth
- Standard and high actuator
- Sealed to IP67



ENVIRONMENTAL SPECIFICATIONS

- Front panel sealing : IP67 according to IEC 60529
- Operating temperature : -40 °C to +85 °C (-40 °F to +185 °F)



ELECTRICAL SPECIFICATIONS

- Supply voltage : 3.5 VDC to 24 VDC
- Supply current : VDC = 12 V : 2.5 mA Typ. to 5 mA max.
(current consumption in OFF position)
- Max. output current : 50 mA
- Max. output voltage : 24 VDC
- Output type : NPN



GENERAL SPECIFICATIONS

- Panel thickness : 1.5 mm (.059) min. - 4 mm (.157) max.
- Total travel : 1.80 mm (.070) ± 0.3 mm
- Typical operating force : 6 N ± 2 N
- Mechanical life : 5 million cycles
- Torque : 1.5 Nm max. applied to nut



MATERIALS

- Case : PBT, UL94-V0
- Actuator : polyamide 6/6
- Bushing/bezel : zinc die-cast (zamac), black painted
- Multi-wire leads : AWG26, 150 mm

The company reserves the right to change specifications without notice.

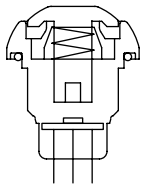


IHS series

Hall effect pushbutton switches •
bushing Ø 12 mm • momentary



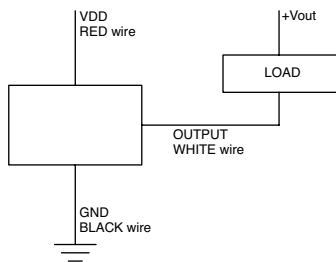
ELECTRICAL FUNCTIONS



Function 3 (NO)

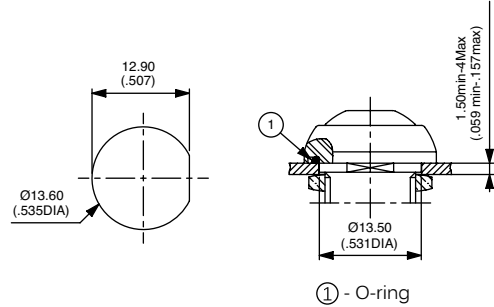


WIRING DIAGRAM

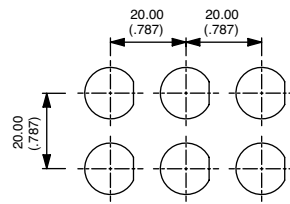


MOUNTING

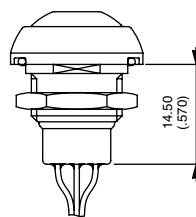
PANEL CUT-OUT



MATRIX MOUNTING



BACK OF PANEL SPACE REQUIREMENT

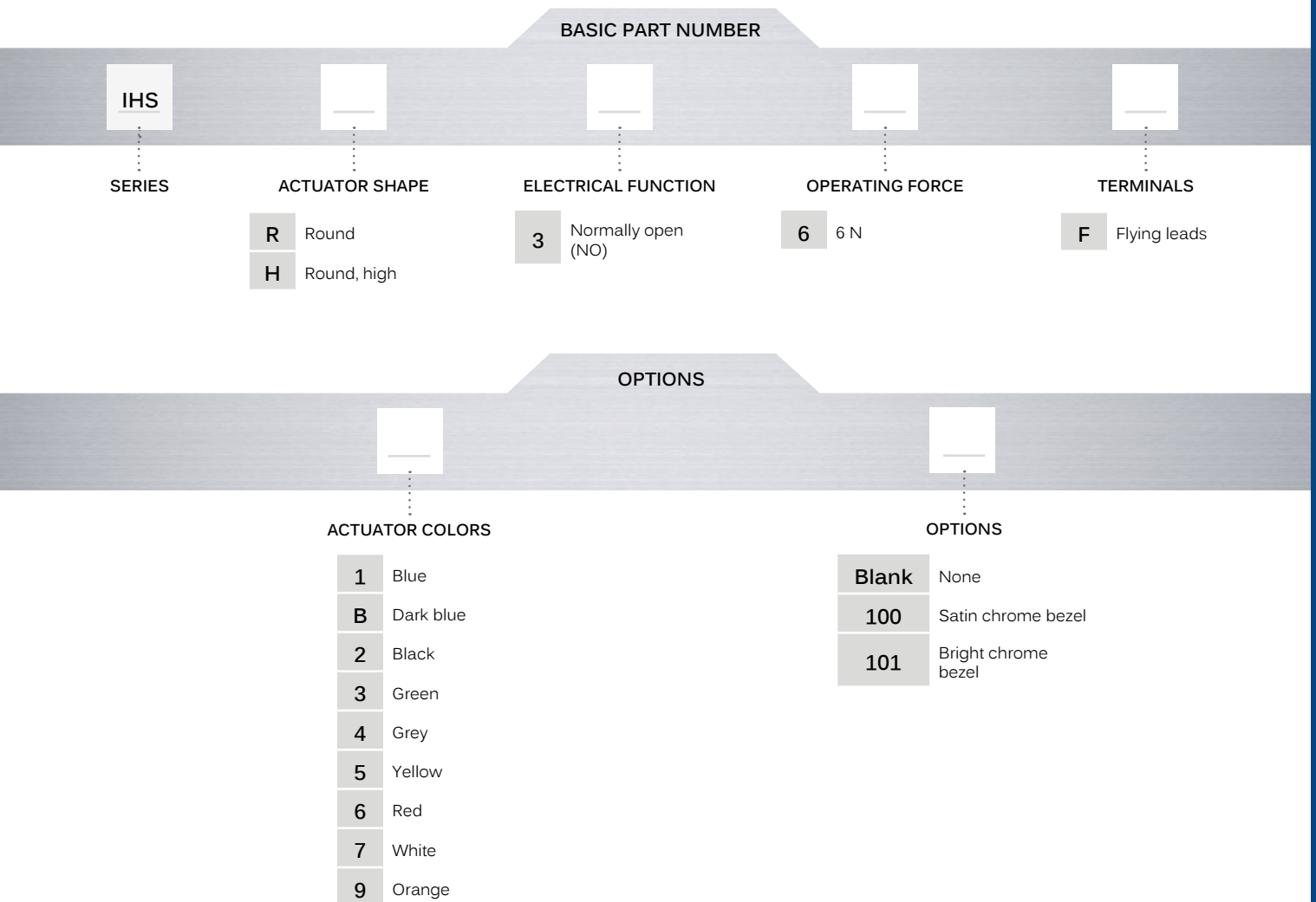


IHS series

Hall effect pushbutton switches •
bushing Ø 12 mm • momentary



BUILD YOUR PART NUMBER



ABOUT THIS SERIES

On the following pages, you will find successively basic part numbers of switches and options in the same order as in above chart.


- Notice** : please note that not all combinations of above numbers are available. Refer to the following pages for further information.
- A sealing boot** is available to protect the switches against frost and sand (P/N U5125). See "Sealing Boots" section of website.
- Mounting accessories** : Standard hardware supplied : 1 hex nut 14 mm (.551) across flats and 1 O-Ring. Hex nut part number U166.

IHS series

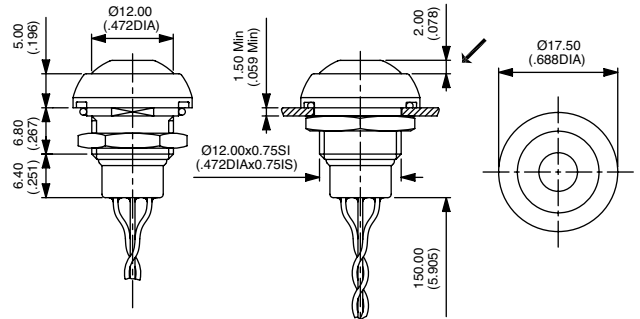
Hall effect pushbutton switches •
bushing Ø 12 mm • momentary

STANDARD ACTUATOR



IHSR36F  Normally Open

→ FLAT

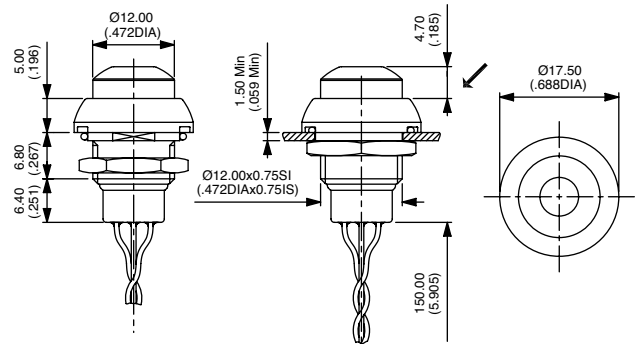


HIGH ACTUATOR



IHSH36F  Normally Open

→ FLAT



ACTUATOR COLORS



- 1 Blue
- B Dark blue
- 2 Black
- 3 Green
- 4 Grey
- 5 Yellow
- 6 Red
- 7 White
- 9 Orange

OPTIONS



- 100 Satin chrome bezel
- 101 Bright chrome bezel