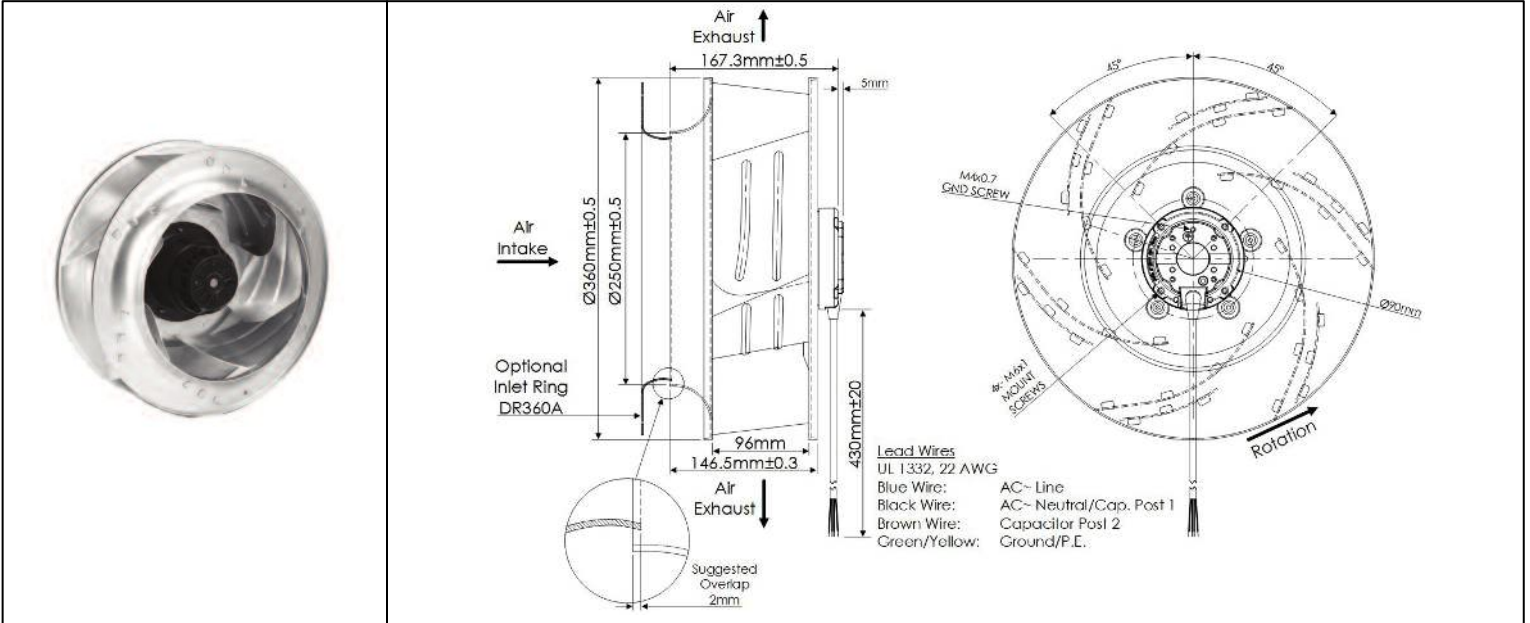


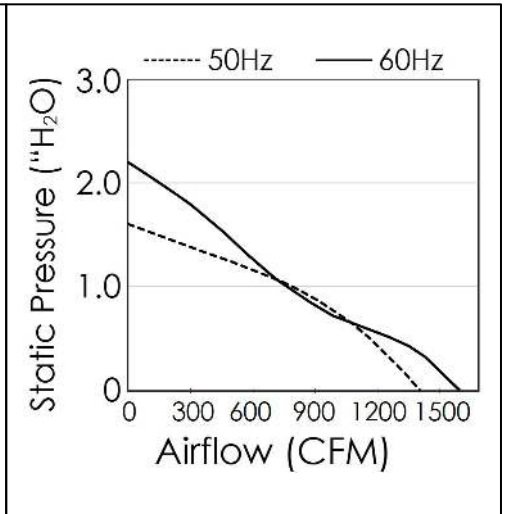
OAB360 Series



AC Centrifugal Fans - 115, 230V
360mm x 167mm (14.2" x 6.57")



Motor Housing	Die Cast Aluminum	Operating Temperature -40°C ~ +50°C
Impeller	Aluminum Alloy	Storage Temperature -40°C ~ +80°C
Connection	4x Lead Wires, UL 2157 AWM	Life Expectancy 40,000 Hours (L10 at 40°C)
Motor	AC, Capacitor Induction, Thermally Protected, Class B Insulation, IP55	Included Capacitors 24uF/250V (-11-1 Model) 6uF/450V (-22-1 Model)
Bearing System	Ball Bearings	Optional Accessories DR360A Inlet Duct Ring
Dielectric Strength	1500VAC/min, <0.5mA	Weight: 11.5 lbs.
Insulation Resistance	≥10MΩ @ 500 VDC	



Part Number	Rated Voltage (Volts AC)	Voltage Range (Volts AC)	Frequency (Hertz)	Input Power (Watts)	Locked Current (Amps)	Rated Current (Amps)	Rated Speed (RPM)	Max Airflow (CFM)	Noise Level (dBA)	Max Static Pressure (\"H ₂ O)
OAB360-11-1	115	100 ~ 125	50 / 60	190 / 270	3.51 / 3.26	1.70 / 2.30	1400 / 1600	1410 / 1640	68 / 73	1.6 / 2.2
OAB360-22-1	230	200 ~ 250	50 / 60	190 / 265	2.00 / 1.90	0.90 / 1.20	1400 / 1600	1410 / 1640	68 / 73	1.6 / 2.2

Motor Wiring Diagram

