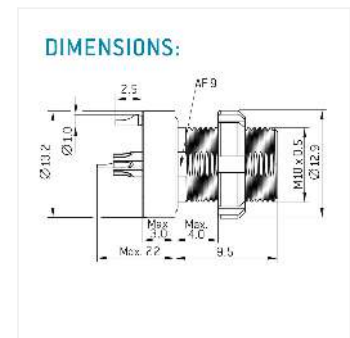
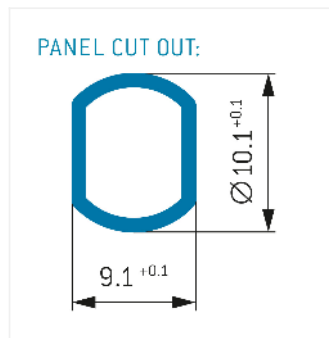
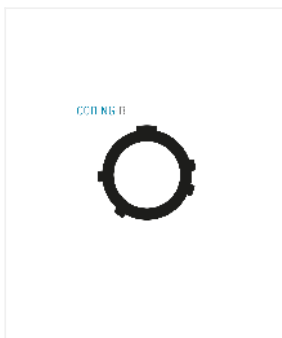


## General information

|                   |                     |
|-------------------|---------------------|
| Part number       | GCOWBM-P16WBCO-000L |
| Termination       | solder              |
| Size              | 0                   |
| Locking principle | break , screw       |
| Coding            | b_key_amc           |
| Cable Diameter    | cable_amchd_0       |



## Contact insert description

|                    |         |
|--------------------|---------|
| Number of contacts | 16      |
| Contact type       | sockets |
| Contact diameter   | 03mm    |
| Insulator material | peek    |
| Wire cross section | 28_awg  |
| Termination        | solder  |

reverse\_gender\_on\_request

## Technical information

|                                |           |               |
|--------------------------------|-----------|---------------|
| Nominal current single contact | 01_a      | iec_60512_5_2 |
| Nominal current insert         | 0,5 A     | vde_0298_4    |
| Test voltage                   | 075_kv_dc | eia_364_20f   |

safety\_text

## Mechanical and environmental data

|                       |              |
|-----------------------|--------------|
| Degree of protection* | ipsk8_ip6k9k |
| Operating temperature | 51_125_c     |
| Mating cycles         | 5000         |

mated

## Material and surface treatments

|                |               |
|----------------|---------------|
| <b>Housing</b> | ruthenium     |
| <b>Contact</b> | cu_alloy_gold |

safety\_text\_2  
ul\_text  
illustrative\_text