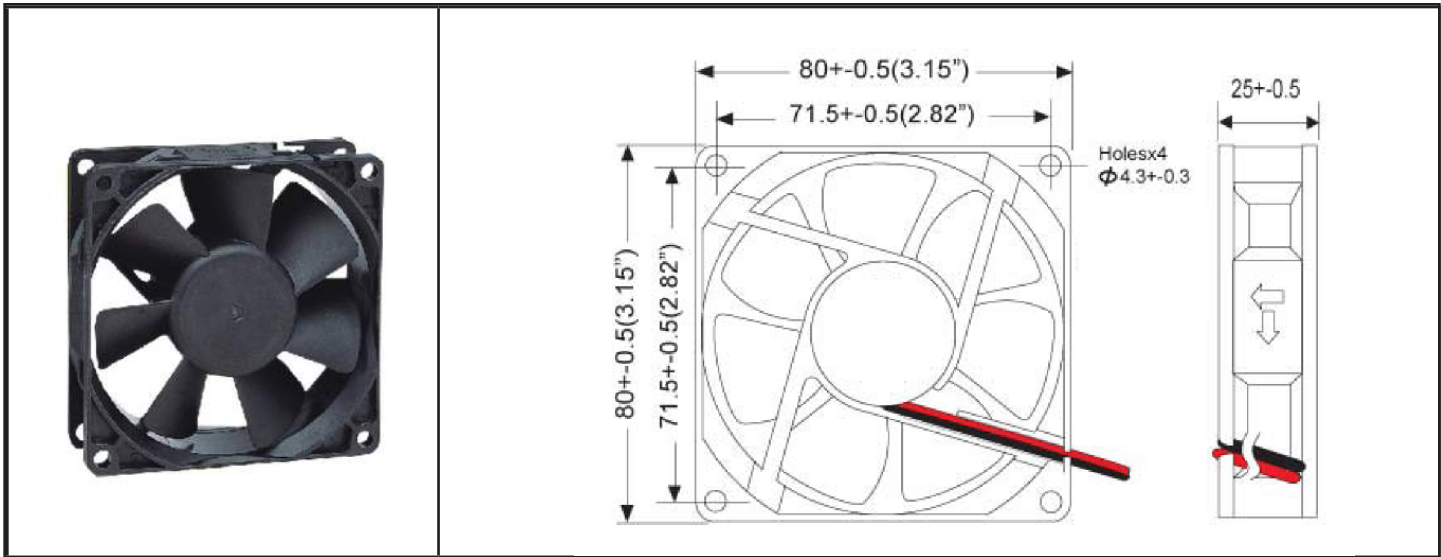


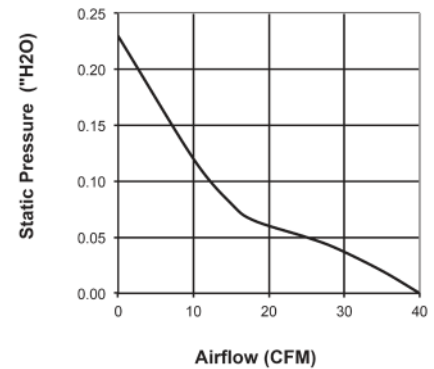
OD8025 Series



DC Fan - 48V
80x25mm (3.15"x 1.0")



| | | |
|-----------------------|--|--|
| Frame | PBT, UL94V-0 | Notes |
| Impeller | PBT, UL94V-0 | Date: 082013 |
| Connection | Lead wires ~300mm * | <u>Available Options</u> |
| Motor | Brushless DC, impedance protected | Tachometer |
| Bearing System | Ball bearing | Alarm |
| Insulation Resistance | 10M ohm between lead wire and frame (500VDC) | Thermal / PWM controls |
| Dielectric Strength | 60 seconds at 500VAC, max. leakage < 500 mA | *Connection: UL1007 24AWG, black GND UL1007 24AWG, red Vcc |
| Temperature Range | -20C ~ +75C | |
| Life Expectancy | 60000 hours (45C) | |



| | |
|--|-------------|
| Model Number | OD8025-48HB |
| Part Number | 183441000 |
| Nominal Voltage | 48 VDC |
| Voltage Range | 24 ~ 56 VDC |
| Rated Current (Amps) | 0.08 A |
| Input Power (Watts) | 3.8 W |
| Rated Speed (RPM) | 3300 |
| Airflow (CFM) | 40 |
| Noise Level (dB) | 33 |
| Max. Static Pressure (" H ₂ O) | 0.23 |