

NOTE: 1. ELECTRIC PERFORMANCE.
 DIELECTRIC STRENGTH: 500V DC/0.01Sec.
 INSULATION RESISTANCE: 100M OHMS Min.
 CONNECTION RESISTANCE: 2 OHMS Max.

2. HOUSING 687520000:
 POLYESTER(PBT), UL94V-0(BLACK)
 TERMINAL 675810000
 AU FLASH PLATING

887511311	675810001 30u" Gold-plated
887511310	675810000 GOLD FLASH
MATERIAL NO.	TERMINAL

TABLE

4	UL1007 *18 BLK 887711300
3	UL1007 *18 RED 887711301
2	UL1007 *18 BLK 887711300
1	UL1007 *18 YEL 887711303
Item	WIRE TYPE

CONNECTION DIAGRAM

EC NO: DG2008-0074 DRWN: ZWSHAO CHKD: APPR: BLAU	DESCRIPTION 2008/02/20 2008/02/20 2008/02/21	QUALITY SYMBOLS	GENERAL TOLERANCES (UNLESS SPECIFIED)	DIMENSION STYLE	SCALE	DESIGN UNITS	THIRD ANGLE PROJECTION
		$\nabla=0$ $\sphericalangle=0$	mm INCH 4 PLACES ± --- ± --- 3 PLACES ± --- ± --- 2 PLACES ± --- ± --- 1 PLACE ± --- ± --- ANGULAR ± ---°	MM ONLY	---	METRIC	
			DRAFT WHERE APPLICABLE MUST REMAIN WITHIN DIMENSIONS	DRAWN BY DATE ZWSHAO 2008/02/20 CHECKED BY DATE ARKAN 2008/02/20 APPROVED BY DATE BLAU 2008/02/20 MATERIAL NO. 887511310/887511311	TITLE SATA POWER CABLE MOLEX MOLEX INCORPORATED DOCUMENT NO. SD-88755-001	SHEET NO. 1 OF 1	
				SIZE A 4 THIS DRAWING CONTAINS INFORMATION THAT IS PROPRIETARY TO MOLEX INCORPORATED AND SHOULD NOT BE USED WITHOUT WRITTEN PERMISSION			

6

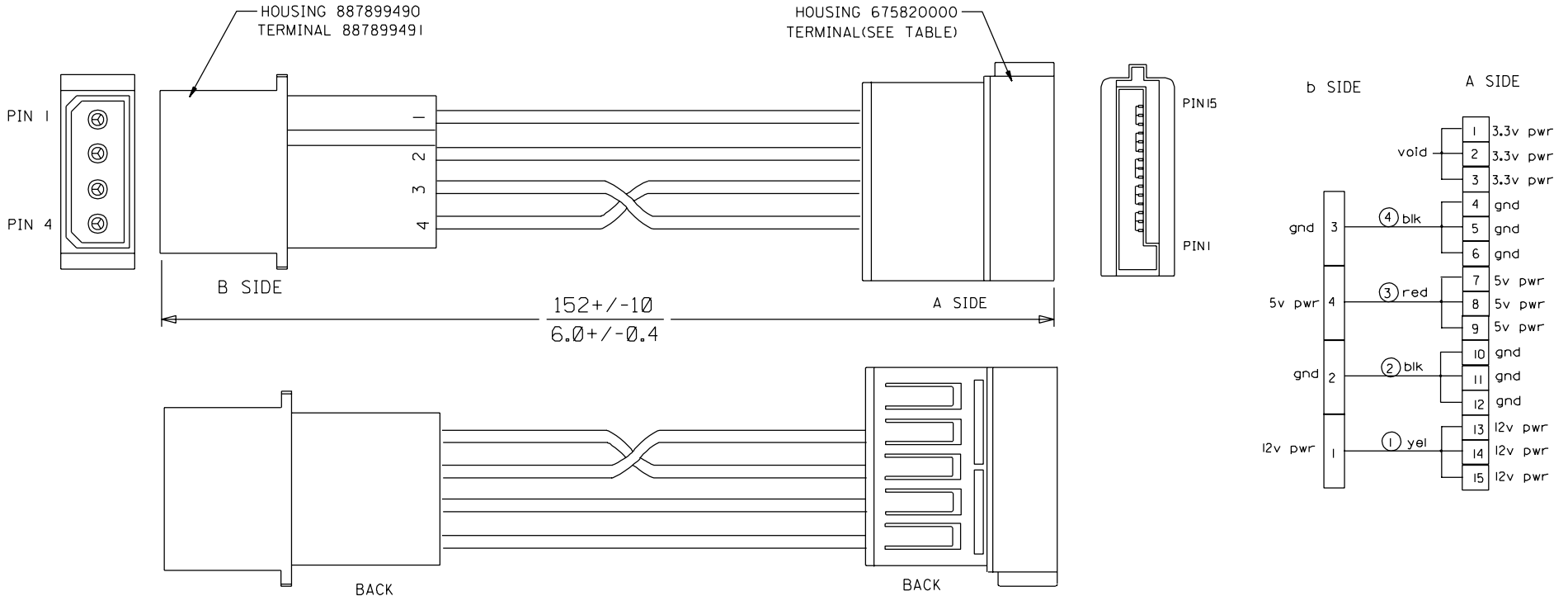
5

4

3

2

1



NOTE: 1. ELECTRIC PERFORMANCE:
 DIELECTRONIC STRENGTH: 500 V DC/0.01Sec.
 INSULATION RESISTANCE: 100M OHMS Min.
 CONDUCTIVE RESISTANCE: 2 OHMS Max.

2. HOUSING 675820000:
 POLYESTER(PBT), UL94V-0(BLACK)

887511311	675810001 30u" Gold-plated
887511310	675810000 GOLD FLASH
MATERIAL NO.	TERMINAL

TABLE

4	UL1007 #18 BLK 887711300
3	UL1007 #18 RED 887711301
2	UL1007 #18 BLK 887711300
1	UL1007 #18 YEL 887711303
Item	WIRE TYPE

CONNECTION DIAGRAM			
DIMENSIONS:		SHT	REV
<input checked="" type="checkbox"/> mm	<input type="checkbox"/> INCH		REVISE ON CAD ONLY
<input type="checkbox"/> mm	<input type="checkbox"/> ONLY		

EC NO. DRWN: Louis 04/03/23 CHK: APPR:	EC NO. DRWN: BENTZ 02/08/08 CHK: APPR:	DESCRIPTION REV	QUALITY SYMBOLS MAJOR ▼ = 0 CRITICAL ▽ = 0	GENERAL TOLERANCES: (UNLESS SPECIFIED)		SCALE	DESIGN UNITS <input checked="" type="checkbox"/> mm <input type="checkbox"/> INCH	THIRD ANGLE PROJECTION <input checked="" type="checkbox"/> <input type="checkbox"/>	TITLE: S-ATA POWER ADAPTER CABLE ASSEMBLY, 6 INCH (5V+12V)	MATERIAL NO. SEE TABLE	DRAWING NO. SD-88755-001	SHEET NO. 1 OF 1
				mm	INCH	DRAWN BY & DATE BENTZ 02/08/08	APPROVED BY & DATE Tony Wong 02/08/08					
B	A			4 PLACES	±0.	±.			MOLEX INCORPORATED			
				3 PLACES	±0.	±.			CAD FILENAME S88755AA.S01			
				2 PLACES	±0.	±.			THIS DRAWING CONTAINS INFORMATION THAT IS PROPRIETARY TO MOLEX INCORPORATED AND SHOULD NOT BE USED WITHOUT WRITTEN PERMISSION.			
				1 PLACE	±0.	±.			SIZE A4			