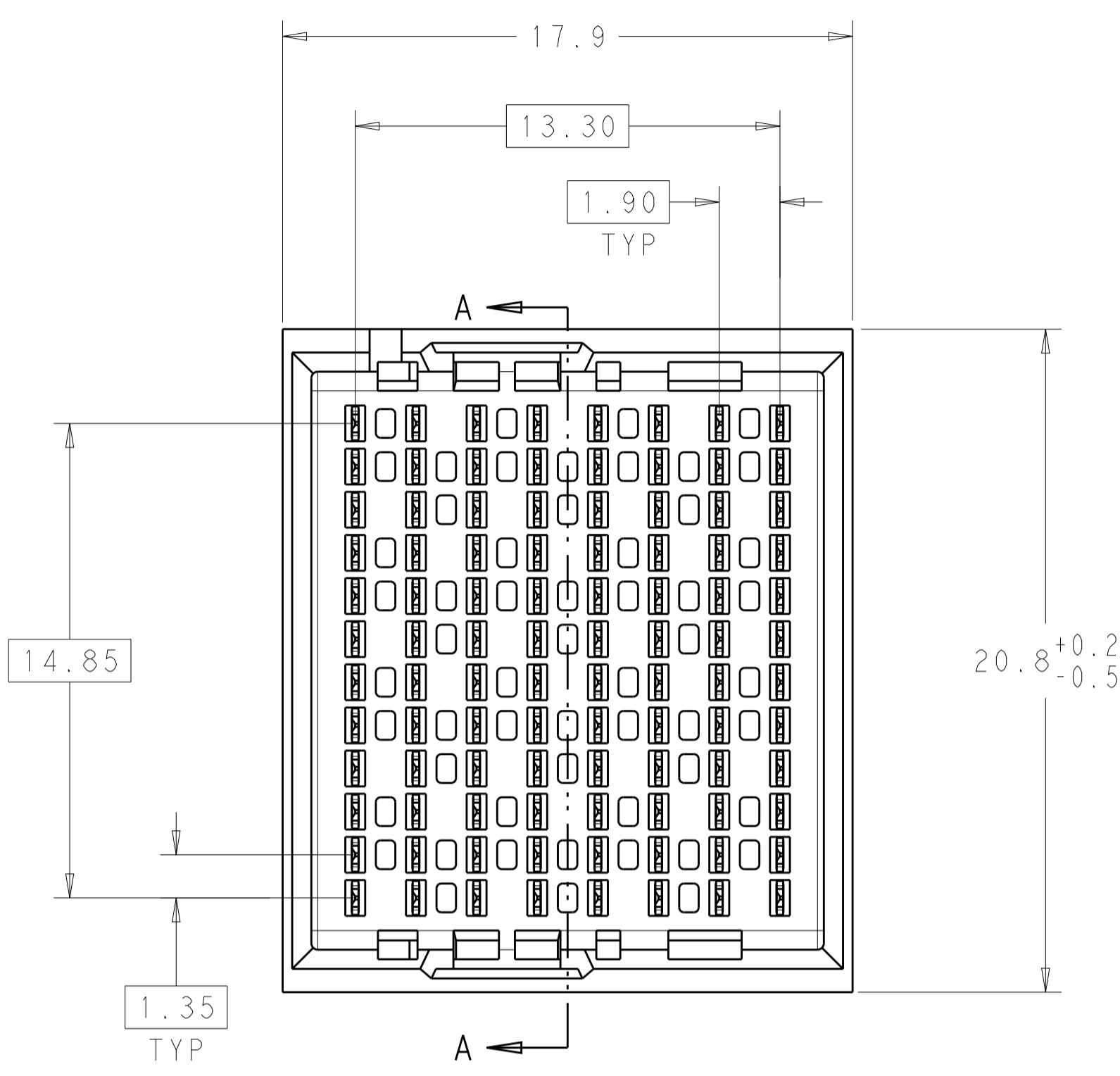
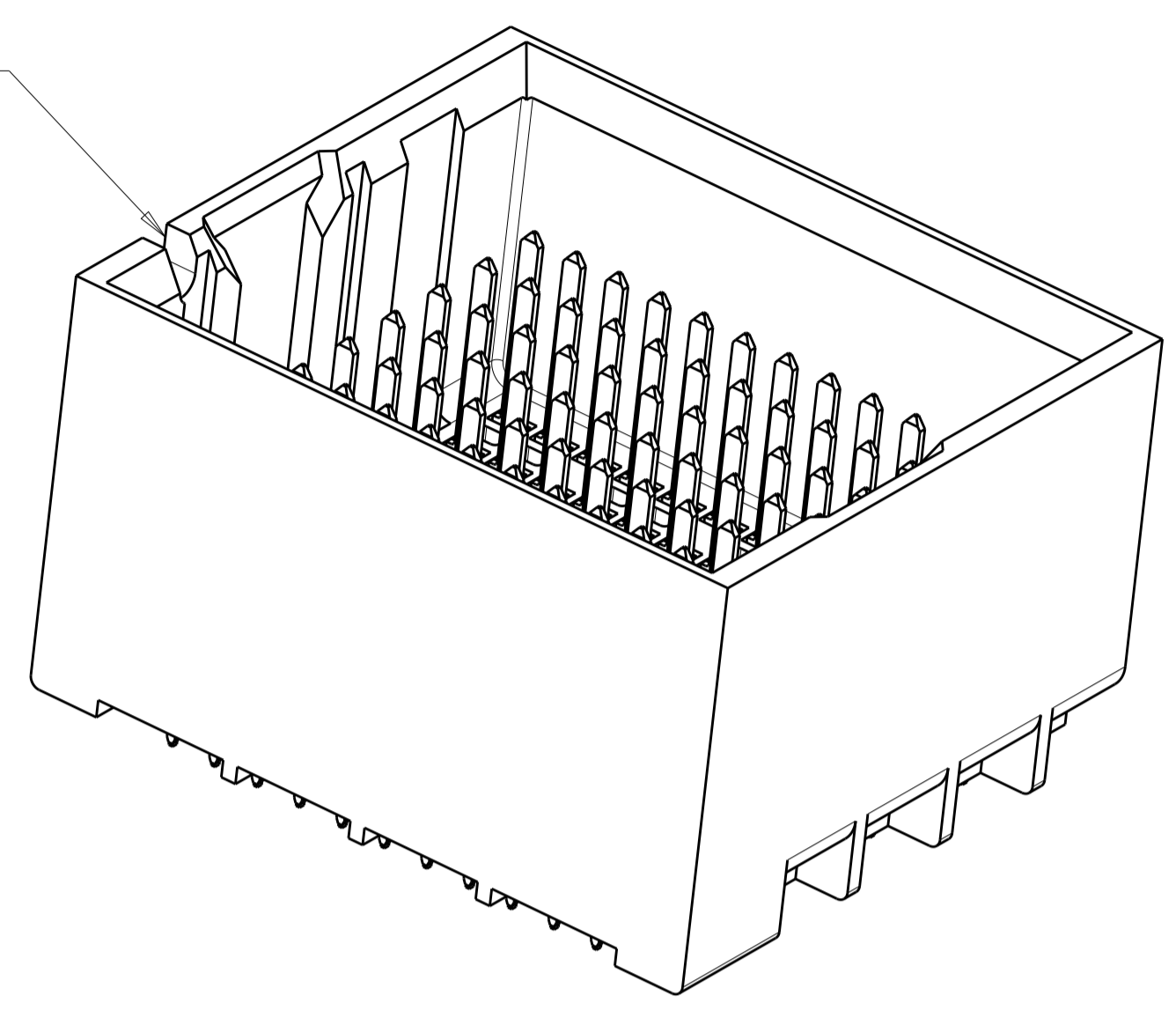


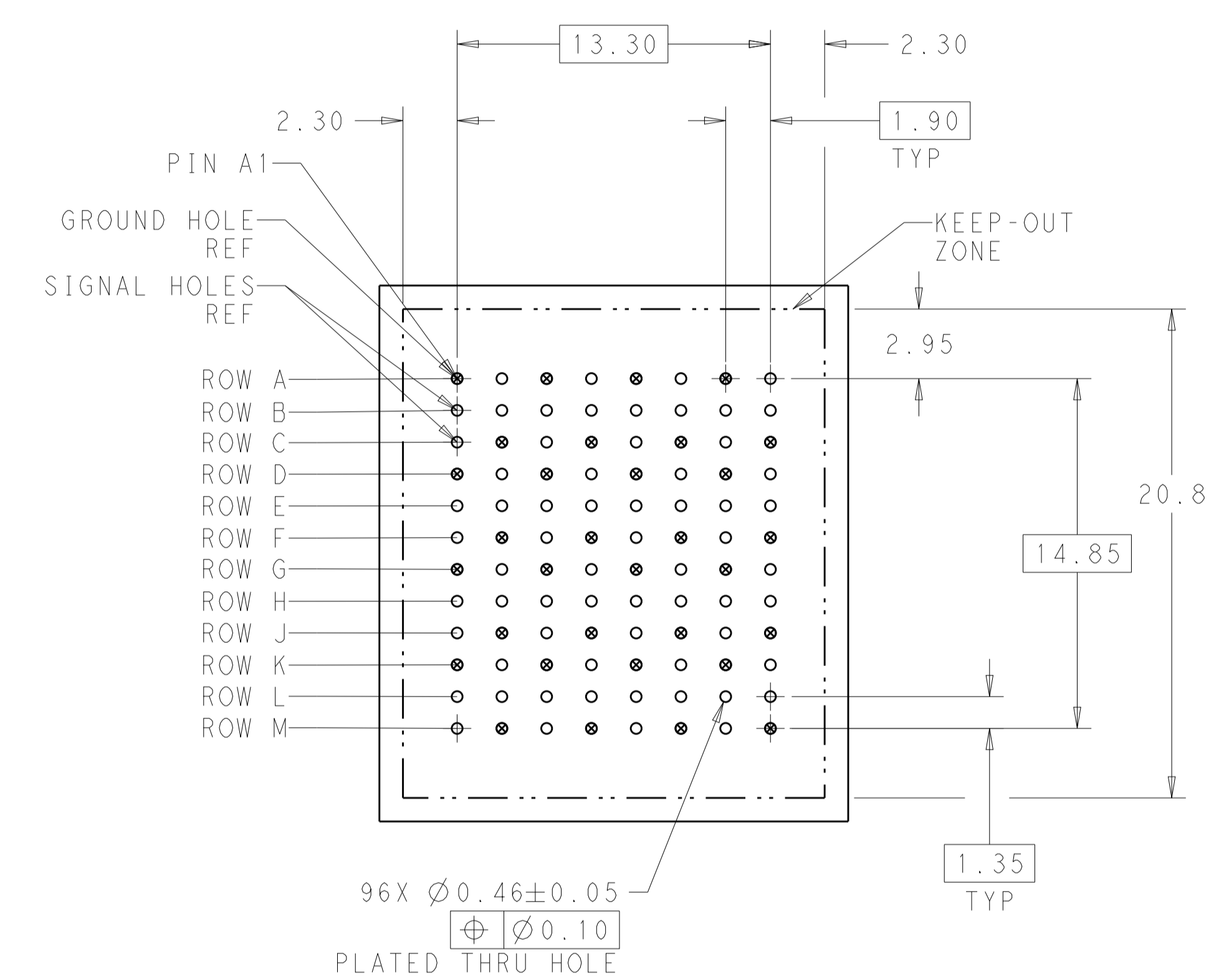
REVISIONS				
P.	LTM	DESCRIPTION	DATE	APV
A1		REVISED PER ECO-15-001494	06FEB2015	AP DD



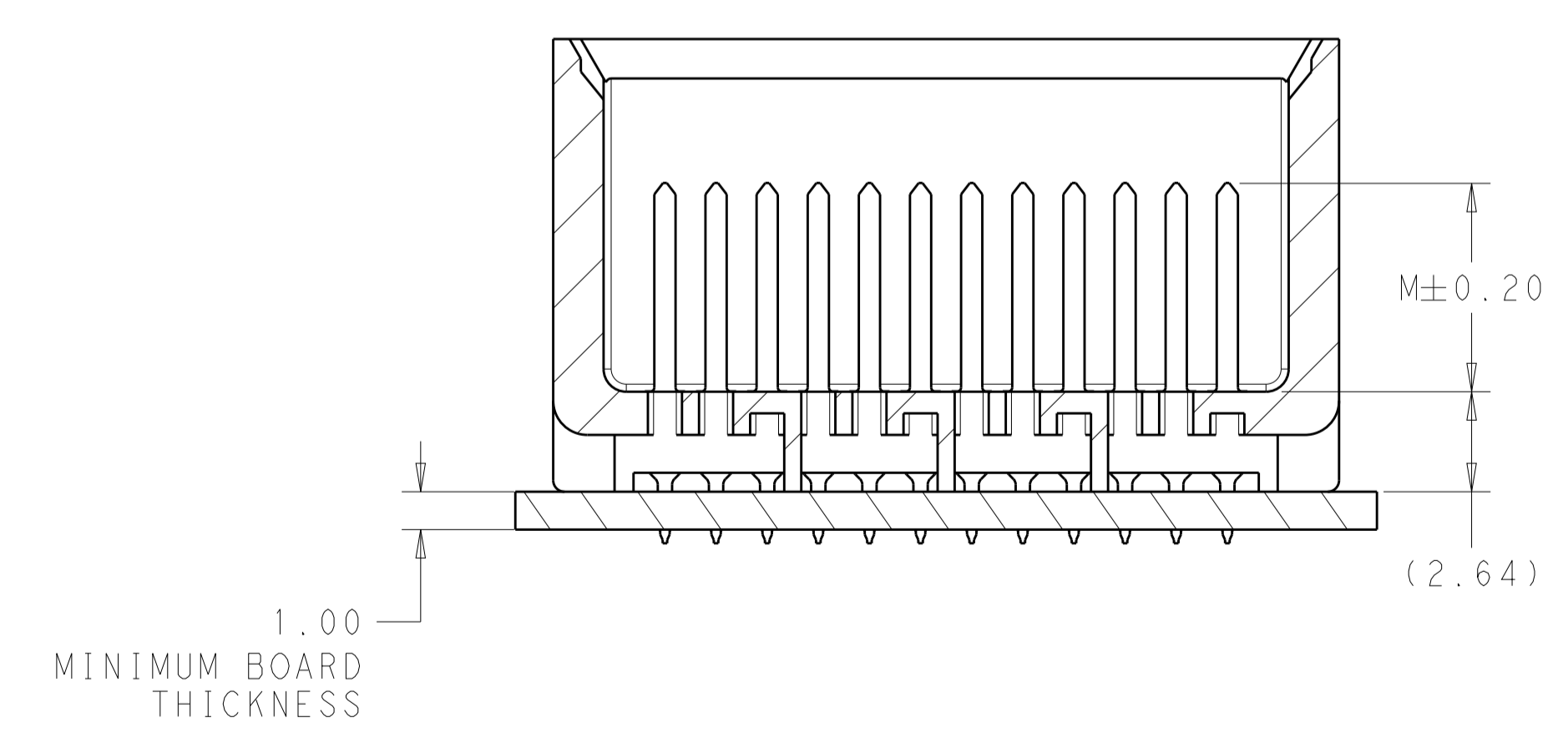
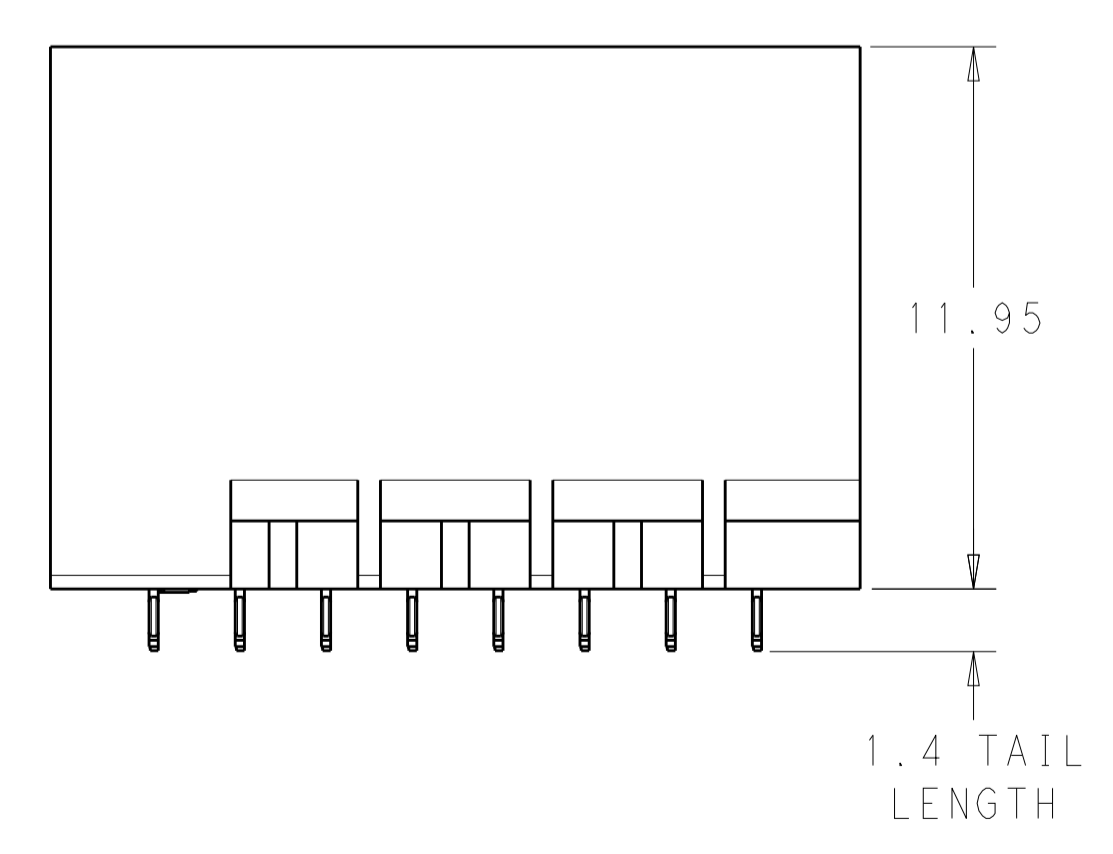
NOTCH DESIGNATES ROW A



- 1 MATERIAL:  
HOUSING: LCP, GLASS FILLED, UL94V-0.  
TERMINALS: HIGH PERFORMANCE COPPER ALLOY.
- 2 FINISH:  
30μ" MIN GOLD IN CONTACT AREA. SELECTIVE TIN ON PCB TAILS, NICKEL OVERALL.



UNGUIDED BACKPLANE HOLE PATTERN (CONNECTOR SIDE)



SECTION A-A

THIS DRAWING IS A CONTROLLED DOCUMENT.		DWN R. GRZYBOWSKI 30SEP2011 CHK J. EARY 30SEP2011 APVD J. EARY 30SEP2011	TE Connectivity
DIMENSIONS: mm 	TOLERANCES UNLESS OTHERWISE SPECIFIED: 0 PLC ± 1 PLC ±0.25 2 PLC ±0.13 3 PLC ± 4 PLC ± ANGLES ±	NAME: IMPACT, 4 PAIR, 8 COLUMN, HEADER PRODUCT SPEC: APPLICATION SPEC: SIZE: CAGE CODE DRAWING NO. RESTRICTED TO: WEIGHT: A100779C=2057444 CUSTOMER DRAWING	
MATERIAL: SEE TABLE		SCALE: 6:1	SHEET 1 OF 2 REV A1

THIS DRAWING IS UNPUBLISHED. RELEASED FOR PUBLICATION 20  
 © COPYRIGHT 20 BY - ALL RIGHTS RESERVED.

REVISIONS					
P.	LTN	DESCRIPTION	DATE	DMN	APVD
-		SEE SHEET 1	-	-	-

	5.5	2057444-3
	4.9	2057444-2
	4.5	2057444-1
FINISH	DIM M	PART NUMBER

REFER TO WWW.TE.COM  
FOR PRODUCT AVAILABILITY

THIS DRAWING IS A CONTROLLED DOCUMENT.		DMN R. GRZYBOWSKI 30SEP2011		TE Connectivity	
		CHK J. EARY 30SEP2011		NAME IMPACT, 4 PAIR, 8 COLUMN, HEADER UNGUIDED, DUAL END WALL SIGNAL MODULE, 0.46 PTH	
DIMENSIONS:		TOLERANCES UNLESS OTHERWISE SPECIFIED:		APVD J. EARY 30SEP2011	
mm	0 PLC ±	1 PLC ±0.25	2 PLC ±0.13	3 PLC ±	4 PLC ±
	ANGLES		FINISH	SEE TABLE	
MATERIAL	-	WEIGHT	-	CUSTOMER DRAWING	
SIZE		A1	CAGE CODE	00779	DRAWING NO
SCALE		5:1	SHEET 2 OF 2		REV A1