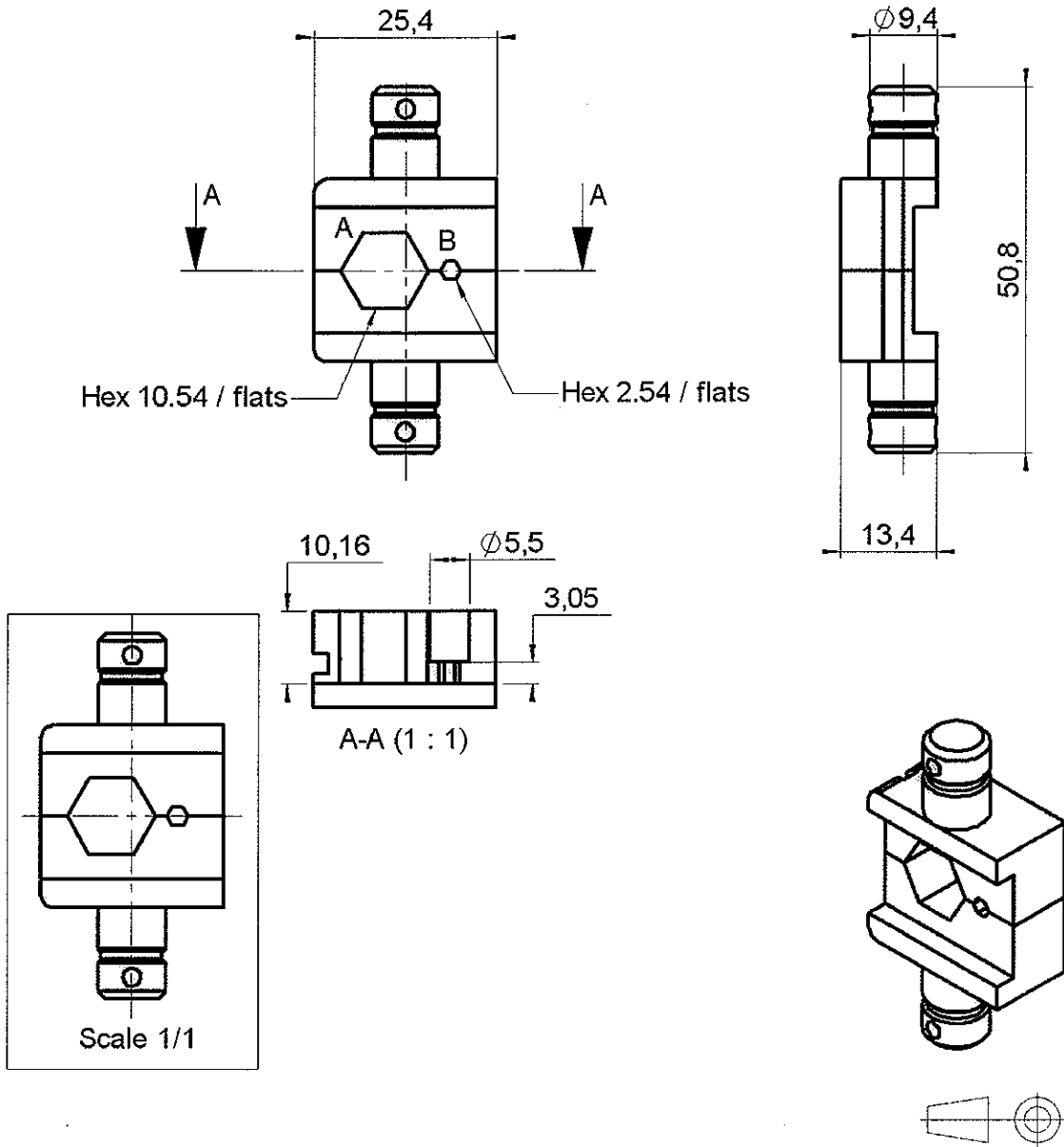


CRIMPING DIES

HEX 10.54-2.54

R282.235.116

Series : OUT



TO BE USED WITH CRIMPING TOOL :
R282.293.000 (M 22520 / 5-01)

Issue : 0043 A

In the effort to improve our products, we reserve the right to make changes judged to be necessary.

