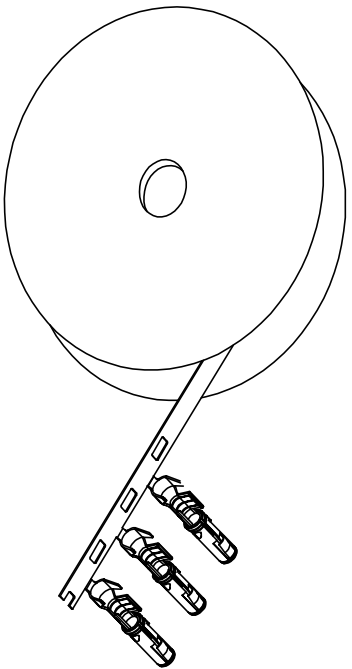


REVISIONS				
REV	ECO	DESCRIPTION	DATE	BY
A1	-	RELEASED DRAWING	Sep-7-2016	Ben Tommy
A2	-	Updating Drawing	Sep-14-2016	Tommy

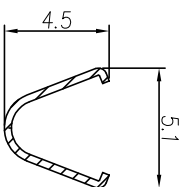


CONTACT ORIENTATION ON ROLL

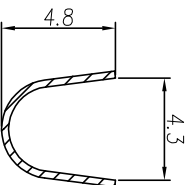
NOTES : (UNLESS OTHERWISE SPECIFIED)

1. MATERIAL :
  - 1.1. CONTACT BODY : COPPER ALLOY.
  - 1.2. OUTER SPRING : STAINLESS STEEL.
2. SPECIFICATIONS :
  - 2.1 CURRENT RATING : 23A MAX.
  - 2.2 TERMINATION TYPE : CRIMPING.
  - 2.3 WIRE RANGE : 4mm<sup>2</sup>.
  - 2.4 WIRE INSULATION DIA(MAX) :  $\phi$ 4.3mm.
3. ROHS COMPLIANT.
4. ALL DIMENSIONS ARE FOR REFERENCE USE ONLY.

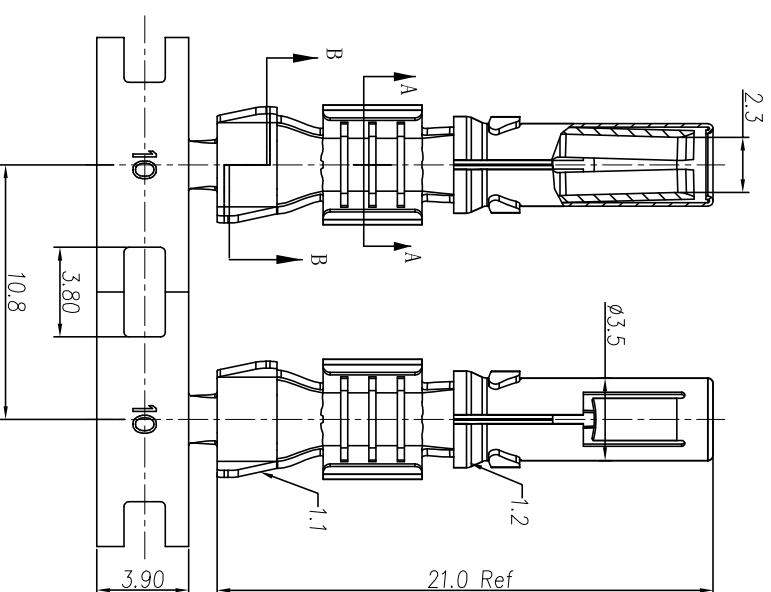
P/N	CONTACT PLATING(MATING AREA)
SS12A1T-10	TIN PLATING OVER NICKEL.
SS12A1F-10	GOLD FLASH PLATING OVER NICKEL.
SS12A1G10-10	10 $\mu$ " GOLD PLATING OVER NICKEL.
SS12A1G15-10	15 $\mu$ " GOLD PLATING OVER NICKEL.
SS12A1G30-10	30 $\mu$ " GOLD PLATING OVER NICKEL.



SECTION A-A



SECTION B-B



QUANTITY	PART NUMBER	DESCRIPTION	ITEM
<b>MATERIALS LIST</b>			

SIGNATURES	DATE
DESIGNER: <b>Rm</b>	00T-16-17
CHECKER: <b>lod</b>	00T-16-17
ENGINEER:	
APPROVAL: <b>Tommy</b>	00T-16-17
CUSTOMER:	

UNLESS OTHERWISE SPECIFIED 1) All dimensions are in millimeters. 2) Tolerances are as follows: 1 Pl. DEC 40.30 Fractions .1/16" 3 Pl. DEC 40.08	PROCESS SPECIFICATIONS: NEXT ASSY:	TEST SPECIFICATIONS: SPECIFICATIONS AND PERFORMANCE DATA ARE THE PROPERTY OF AMPHENOL. ALL RIGHTS OF REPRODUCTION ARE RESERVED. ALL MANUFACTURING VARIATIONS	SCALE: NONE	SHEET 1 OF 1
---	---------------------------------------	---	-------------	--------------

**Amphenol**

Sine Systems - [www.amphenol-sine.com](http://www.amphenol-sine.com)  
44724 Morley Drive  
Clinton Township, MI 48036

ECO-MATE SOCKET CONTACT,  
STAMPED, 4.0mm<sup>2</sup>, 2.5mm CONTACT