

NOTE

- 嵌合相手: 51382-****
MATE WITH: 51382-****
- 偶数極 (列) に適用。
APPLY EVEN CIRCUIT PRODUCTS.
- キンフは両外側の位置に付加。
KINK TO BE APPLIED BOTH ENDS.
- 材質: ホリエステル(PBT) UL94V-0
HOUSING: POLYESER(PBT) UL94V-0
ピン: 黄銅
PIN: BRASS
- めっき: ギン: 鍍めつき, リフロー処理 (前めっき) めっき厚: 1.0 μm MIN.
ニッケル下地めっき, めっき厚: 0.5 μm MIN.
FINISHES: PIN: PRE-TIN PLATED, (HEAT TREATED MATTE TIN)
PLATING THICKNESS: 1.0 μm MIN.
NICKEL UNDERPLATE OVERALL
PLATING THICKNESS: 0.5 μm MIN.
- 製品番号 MATERIAL NO.
55935-****

極数 CIRCUIT SIZE | 色 COLOR

10	自然色 (白) NATURAL (WHITE)				
11	黒 BLACK				
12	赤 RED				
13	黄 YELLOW				
14	青 BLUE	31	28	34	55935-15** 15
15	桃 PINK	29	26	32	55935-14** 14
16	緑 GREEN	27	24	30	55935-13** 13
17	茶 BROWN	25	22	28	55935-12** 12
18	橙 ORANGE	23	20	26	55935-11** 11
19	紫 VIOLET	21	18	24	55935-10** 10
41	灰 GRAY	19	16	22	55935-09** 9
43	蛍光黄 FLUORESCENCE YELLOW	17	14	20	55935-08** 8
44	水 PALE BLUE	15	12	18	55935-07** 7
46	黄緑 YELLOWISH GREEN	13	10	16	55935-06** 6
		11	8	14	55935-05** 5
		9	6	12	55935-04** 4
		7	4	10	55935-03** 3
		5	2	8	55935-02** 2
		C	B	A	MATERIAL NO. CKT.

MODEL NO. : 55935-****

REVISED EC NO: J2018-0106 2017/09/25 DRWN:MIKEDA01 CHK:DAIDA APPR:TKANEKO 2017/09/25	GENERAL TOLERANCES (UNLESS SPECIFIED)		DIMENSION STYLE MM ONLY		SCALE ---	DESIGN UNITS METRIC	THIRD ANGLE PROJECTION
	0.25 UNDER	UNDER	±0.03	DRAWN BY T.NIITSU	DATE '02/05/15	TITLE 2.0 W/B SINGLE CONN. PLUG HOUSING ASS'Y R/A -LEAD FREE-	
	0.25 OVER	0.5 UNDER	±0.05	CHECKED BY K.ASAKAWA	DATE '03/06/12	molex DOCUMENT NO. SD-55935-005	
	0.5 OVER	1.0 UNDER	±0.1	APPROVED BY T.YAMAGUCHI	DATE '03/06/12		
1.0 OVER	10 UNDER	±0.20	MATERIAL NO. SEE CHART		THIS DRAWING CONTAINS INFORMATION THAT IS PROPRIETARY TO MOLEX ELECTRONIC TECHNOLOGIES, LLC AND SHOULD NOT BE USED WITHOUT WRITTEN PERMISSION		
10 OVER	30 UNDER	±0.25	SIZE A3				
30 OVER		±0.30	DRAFT WHERE APPLICABLE MUST REMAIN WITHIN DIMENSIONS				

10 9 8 7 6 5 4 3 2 1

F

E

D

C

B

A

F

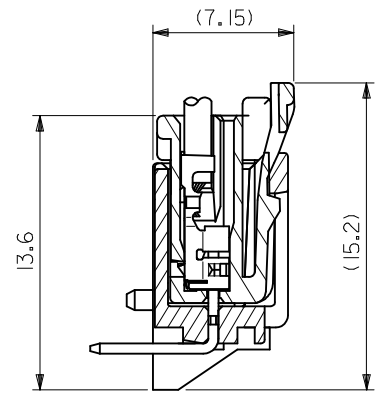
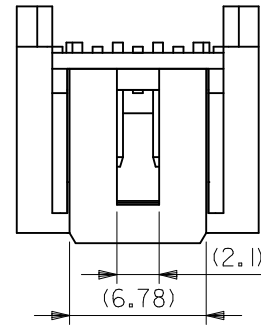
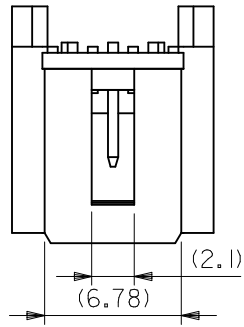
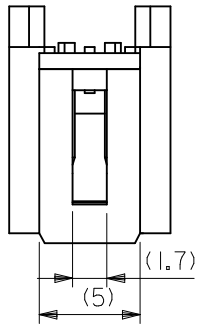
E

D

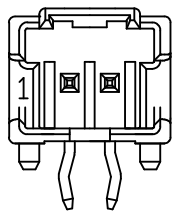
C

B

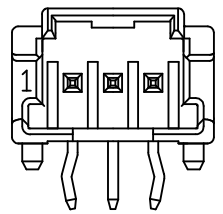
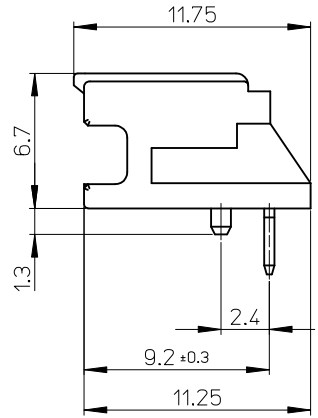
A



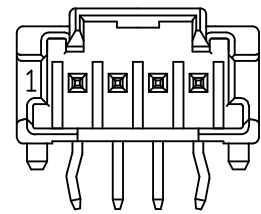
嵌合断面図



2 CIRCUIT



3 CIRCUIT



4 CIRCUIT

MODEL NO. : 55935-****

REVISED EC NO: J2018-0106 DRWN: MIKEDA01 2017/09/25 CHK: DAIDA 2017/09/25 APPR: KANEKO 2017/09/25	GENERAL TOLERANCES (UNLESS SPECIFIED)			DIMENSION STYLE MM ONLY		SCALE ---	DESIGN UNITS METRIC	THIRD ANGLE PROJECTION	
	0.25 UNDER	UNDER	±0.03	DRAWN BY	DATE	TITLE			
	0.25 OVER	0.5 UNDER	±0.05	T. NIITSU	'02/05/15	2.0 W/B SINGLE CONN. PLUG HOUSING ASS'Y R/A -LEAD FREE-			
	0.5 OVER	1.0 UNDER	±0.1	K. ASAKAWA	'03/06/12	molex			
	1.0 OVER	10 UNDER	±0.20	APPROVED BY	DATE				
10 OVER	30 UNDER	±0.25	T. YAMAGUCHI	'03/06/12	MATERIAL NO.		DOCUMENT NO.	SHEET NO.	
30 OVER		±0.30	SEE CHART		SD-55935-005		2 OF 2		
ANGULAR	±3 °		DRAFT WHERE APPLICABLE MUST REMAIN WITHIN DIMENSIONS		SIZE A3	THIS DRAWING CONTAINS INFORMATION THAT IS PROPRIETARY TO MOLEX ELECTRONIC TECHNOLOGIES, LLC AND SHOULD NOT BE USED WITHOUT WRITTEN PERMISSION			

9 8 7 6 5 4 3 2 1