

D

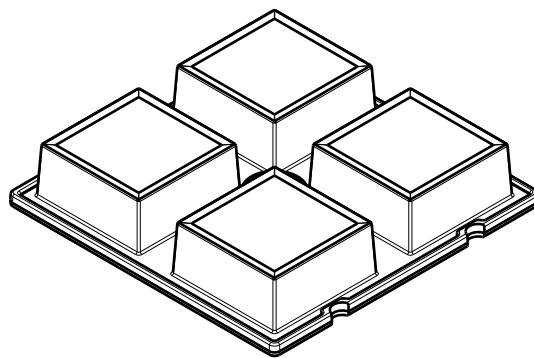
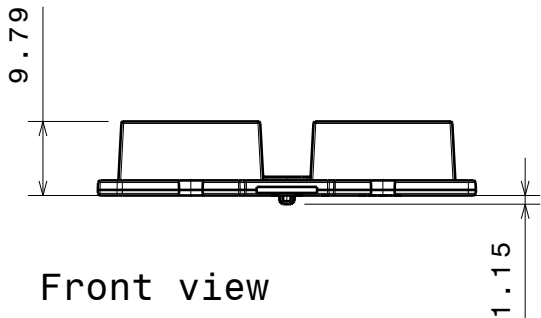
C

B

A

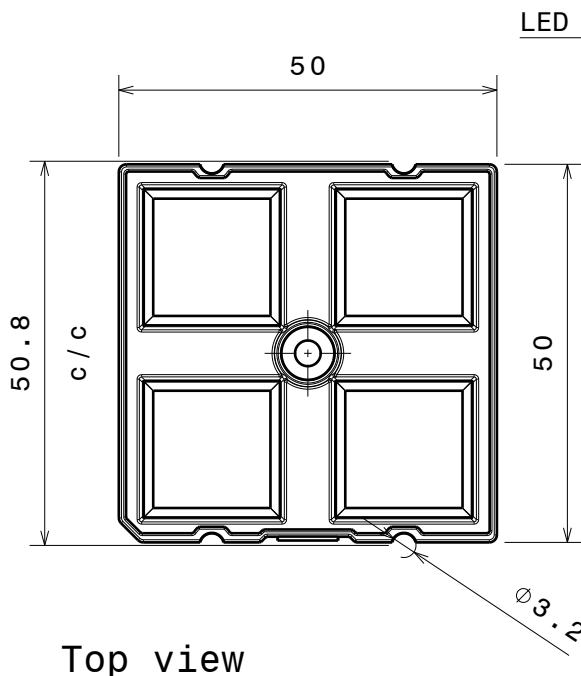
4

4

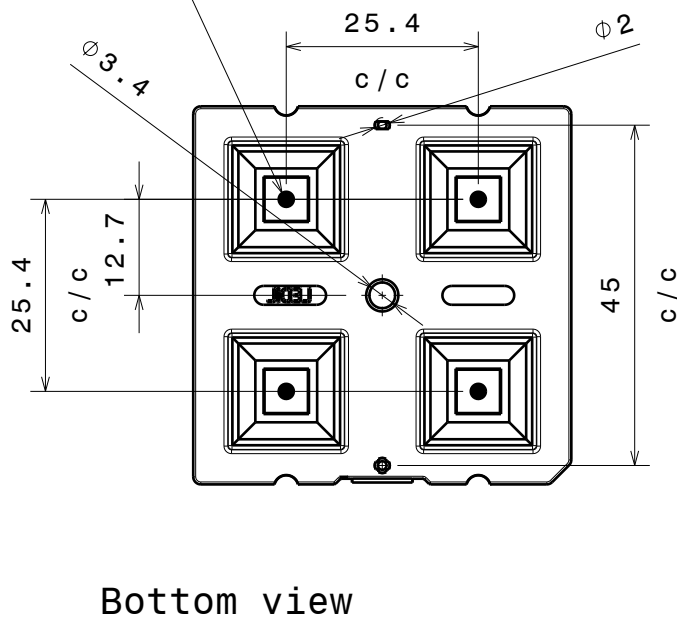


3

3



LED middle position



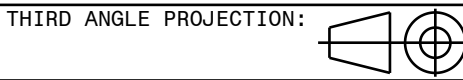
2

2

INDEX	PART NO	DESCRIPTION	MATERIAL	COLOUR
1	C14724	HB-2x2-WWW	PMMA	

Plastic moulding general tolerances according to DIN 16901-130 and applies if not otherwise shown in the drawing.
 Silicone moulding general tolerances according to ISO 3302-1 Class M3 and applies if not otherwise shown in the drawing.

LEDiL
 Ledil Oy
 Salorankatu 10
 FIN 24240 SALO
 Finland



DRAWING TITLE
C14724_HB-2x2-WWW

This drawing is the property of LEDiL Oy. It may not be reproduced, copied or communicated without a written agreement with LEDiL Oy.

SIZE	PART NUMBER
A4	C14724

SCALE	1:1	WEIGHT	13,66 g	SHEET	1/1
-------	-----	--------	---------	-------	-----

1

1

D

A