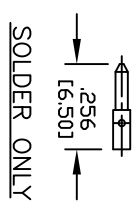
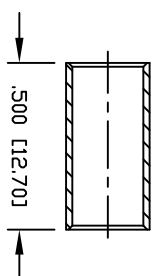
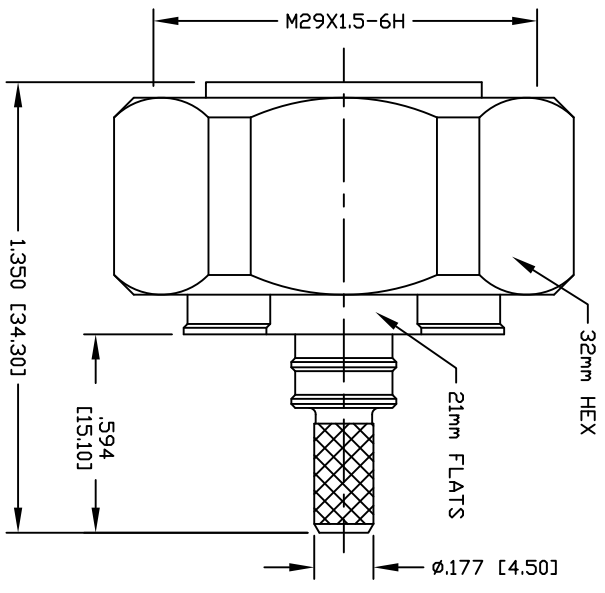
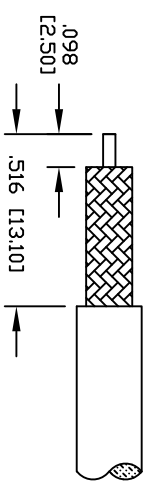


PART NO.		RFD-1602-4C1	
REV	DESCRIPTION	DWN	DATE
—	ENGINEERING RELEASE	CZS	02/24/21
		APPROVED	JDMc



RECOMMENDED CRIMP DIE: .213"



RECOMMENDED STRIPPING DIMENSIONS

SPECIFICATIONS:

IMPEDANCE: 50 Ohms
 FREQUENCY RANGE: 0-6 GHz
 VSWR: 1.25 @ 3GHz
 VSWR: 1.35 @ 6GHz
 INSULATION RESISTANCE: 5k M Ohms min.
 TEMPERATURE RANGE: -40°C TO 85°C
 DURABILITY: 500 CYCLES
 FOR RG-55, 55A, 55B, 142, 142A, 142B, 223 & 400/U,
 ALPHA 9055, 9055B, 9223, BELDEN 8219, 83242 & 84142

#	DESCRIPTION	QTY	MATERIAL	FINISH
8	COUPLING NUT	1	BRASS	CUSnZn
7	PIN	1	BRASS	SILVER
6	O-RING	1	RUBBER	RED
5	RETAINING RING	1	SST	PASSIVATED
4	FERRULE	1	COPPER	CUSnZn
3	CONTACT	1	BRASS	SILVER
2	INSULATOR	1	PTFE	NATURAL
1	BODY	1	BRASS	CUSnZn

CUSTOMER OUTLINE DRAWING ALL DIMENSIONS ARE REFERENCE ONLY	
UNLESS OTHERWISE SPECIFIED: DIMENSIONS ARE IN INCHES AND [MILLIMETERS]	
DRAWN C. ZUNIGA	02/24/21
CHECKED	
OR DRAWN C. ZUNIGA	02/24/21

ROHS COMPLIANT

PROPRIETARY AND CONFIDENTIAL
 THIS DRAWING CONTAINS INFORMATION PROPRIETARY TO RF INDUSTRIES, ANY UNAUTHORIZED USE OF THIS DRAWING IS EXPRESSLY PROHIBITED WITHOUT WRITTEN PERMISSION FROM RF INDUSTRIES. ANY VIOLATION IS PUNISHABLE UNDER U.S. COPRIGHT LAWS.

RF Industries
 DIVISION OF RF INDUSTRIES, LTD. (858) 549-6345 FAX

7/16 DIN MALE CRIMP
 FOR RG-55 CABLE

REINDUSTRIES.COM
 7610 MIRAMAR RD.
 SAN DIEGO, CA 92126
 (858) 549-6340

CABLE GROUP DWG # **RFD-1602-4C1** REVISION —
 C1

FORMAT A SCALE NTS CONTROL # 000000 SHEET 1 OF 1