

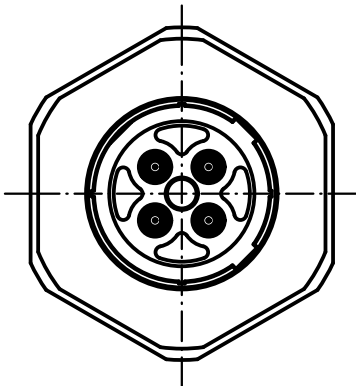
1 2 3 4 5 6

A

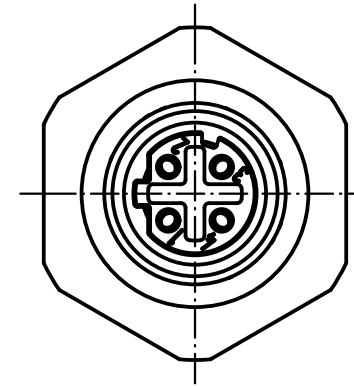
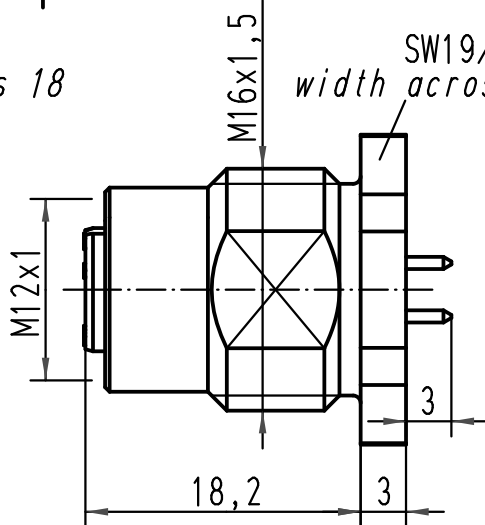
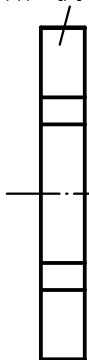
B

C

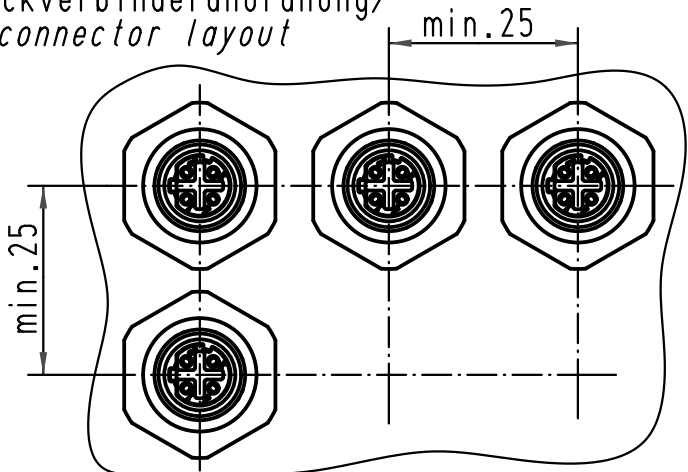
D



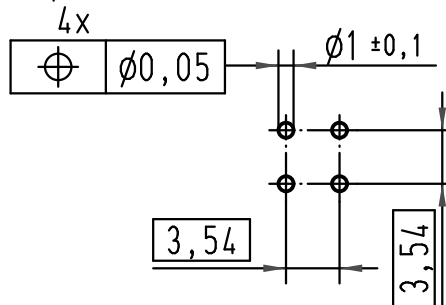
SW18/
width across flats 18



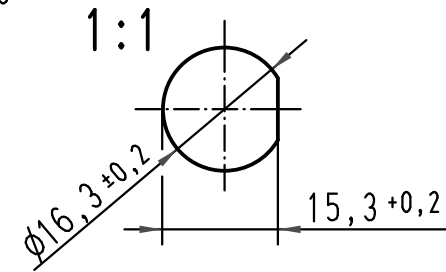
Steckverbinderanordnung/
connector layout



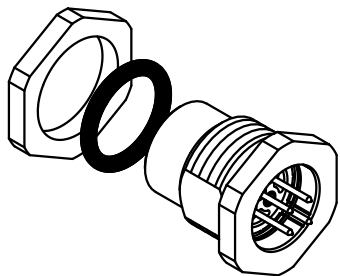
Leiterplatten Lochbild/ PCB Layout



Montageausschnitt/ Panel cut out



empfohlene Leiterplattendicke 1,6mm/ recommended PCB thickness 1,6mm



| All Dimensions in mm Original Size DIN A 4 | | | Techn. Character. | | | | Nicht tolerierte Maß/ Free size tolerances | |
|---|----------|------|--------------------------------|----------|------|-------------------------------------|---|-------------|
| 413598 | 11.02.08 | DY | | Dat. | Name | Maßstab/ Scale 2:1 1:1 | Wanddurchführung M12-F/ Panel feed through M12-F M16x1,5-4polig; M16x1,5-4poles | |
| 413455 | 15.11.07 | DY | Detail. | 10.05.04 | Ste | | | |
| 412848 | 04.04.07 | DY | Insp. | | SR | | | |
| 411530 | 21.03.05 | DY | Stand. | | | | | |
| 411392 | 06.01.05 | Ste | HARTING Electric GmbH & Co. KG | | | | TB 21 03 371 2402 | |
| 411031 | | | D-32339 Espelkamp | | | | | Blatt/ page |
| Mod. | Dat. | Name | | | | | Sub. | |