

## Data Sheet | Item Number: 216-204

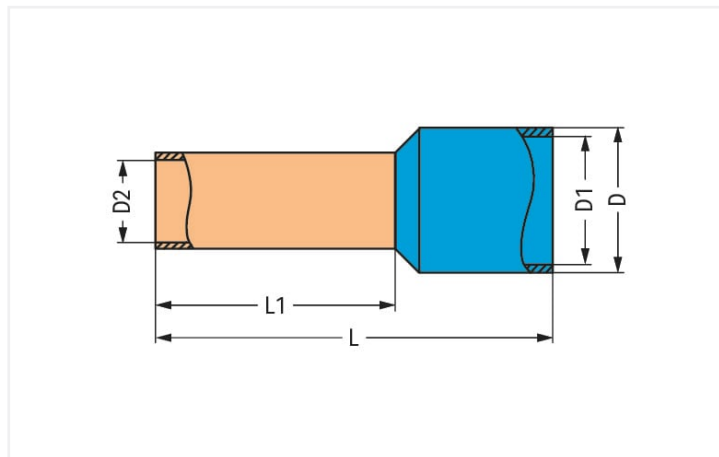
Ferrule; Sleeve for 1.5 mm<sup>2</sup> / AWG 16; insulated; electro-tin plated; black

<https://www.wago.com/216-204>



Color: ■ black

Similar to illustration



Dimensions in mm

### Technical data

Main product function	Ferrule
Sleeve cross-section (AWG)	16 AWG
Sleeve for	1.5 mm <sup>2</sup>

### Connection data

Strip length	10 mm / 0.39 inches
--------------	---------------------

### Physical data

Length	14 mm
Crimp length (length of sleeve)	8 mm
Diameter	4 mm
Inner Diameter plastic collar	3.5 mm
Diameter crimp sleeve inside	1.7 mm

### Material data

Color	black
Fire load	0.002 MJ
Weight	0.1 g

### Commercial data

Product Group	2 (Terminal Block Accessories)
eCl@ss 10.0	27-40-02-01
eCl@ss 9.0	27-40-02-01
ETIM 8.0	EC000005
ETIM 7.0	EC000005
PU (SPU)	1000 pcs
Packaging type	Box
Country of origin	DE
GTIN	4017332277495
Customs tariff number	85369010000

### Downloads

## Environmental Product Compliance

### Compliance Search

Environmental Product  
Compliance 216-204



## Documentation

### Bid Text

216-204	19.02.2019	xml 2.80 KB	
216-204	11.09.2017	doc 23.50 KB	

## Installation Notes



A perfect gas-tight crimp – both electrical-ly and mechanically reliable