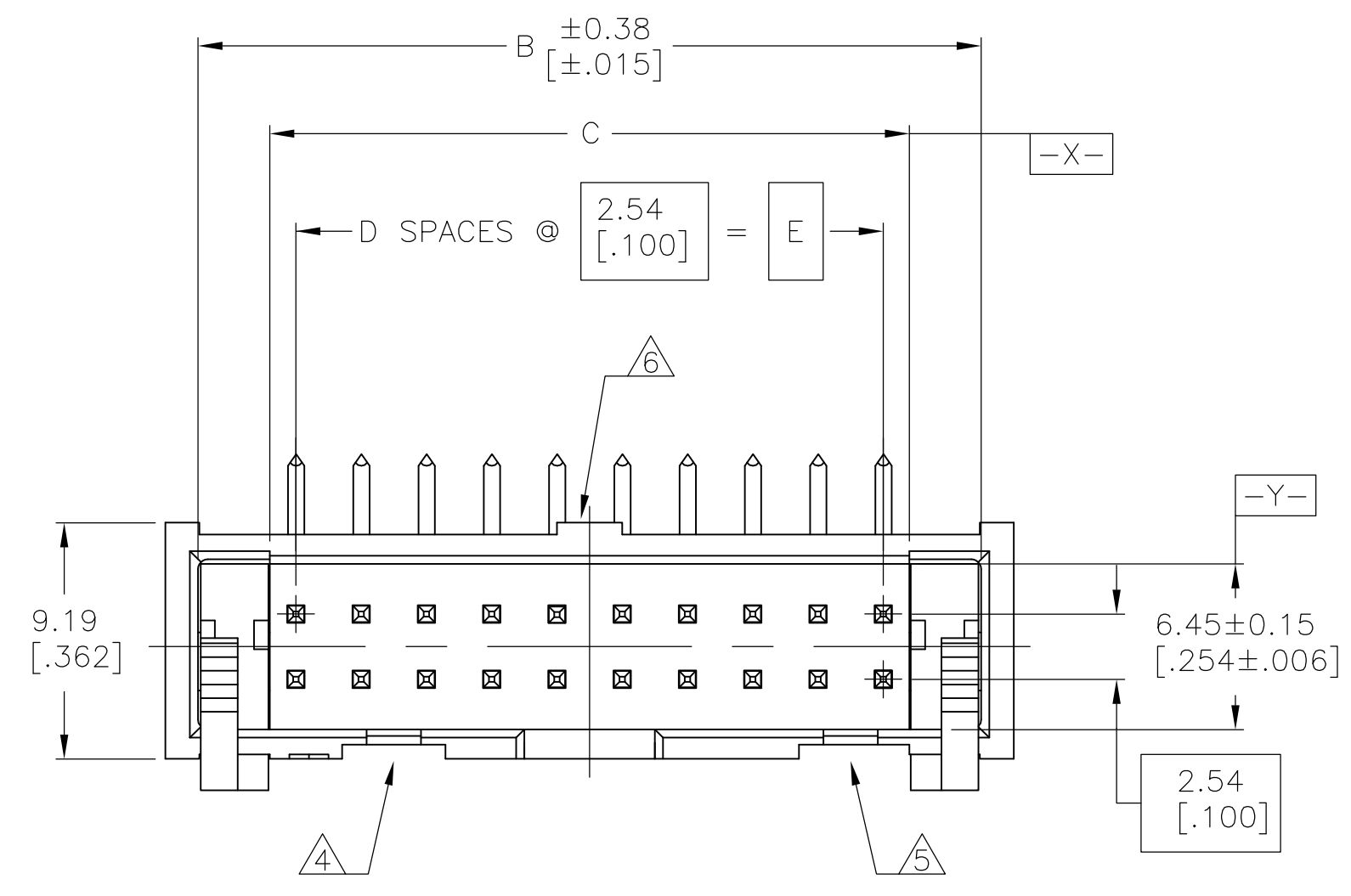
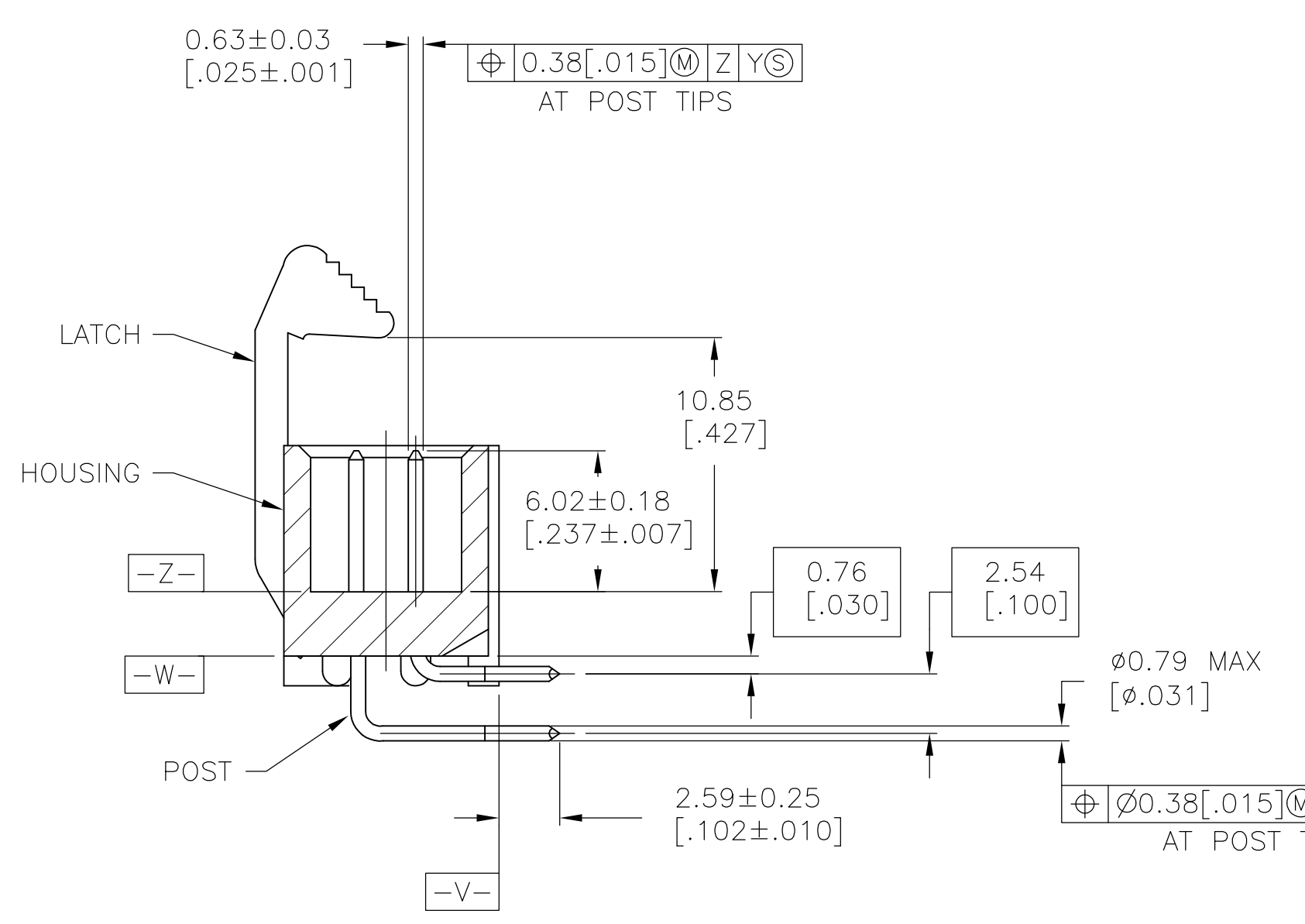
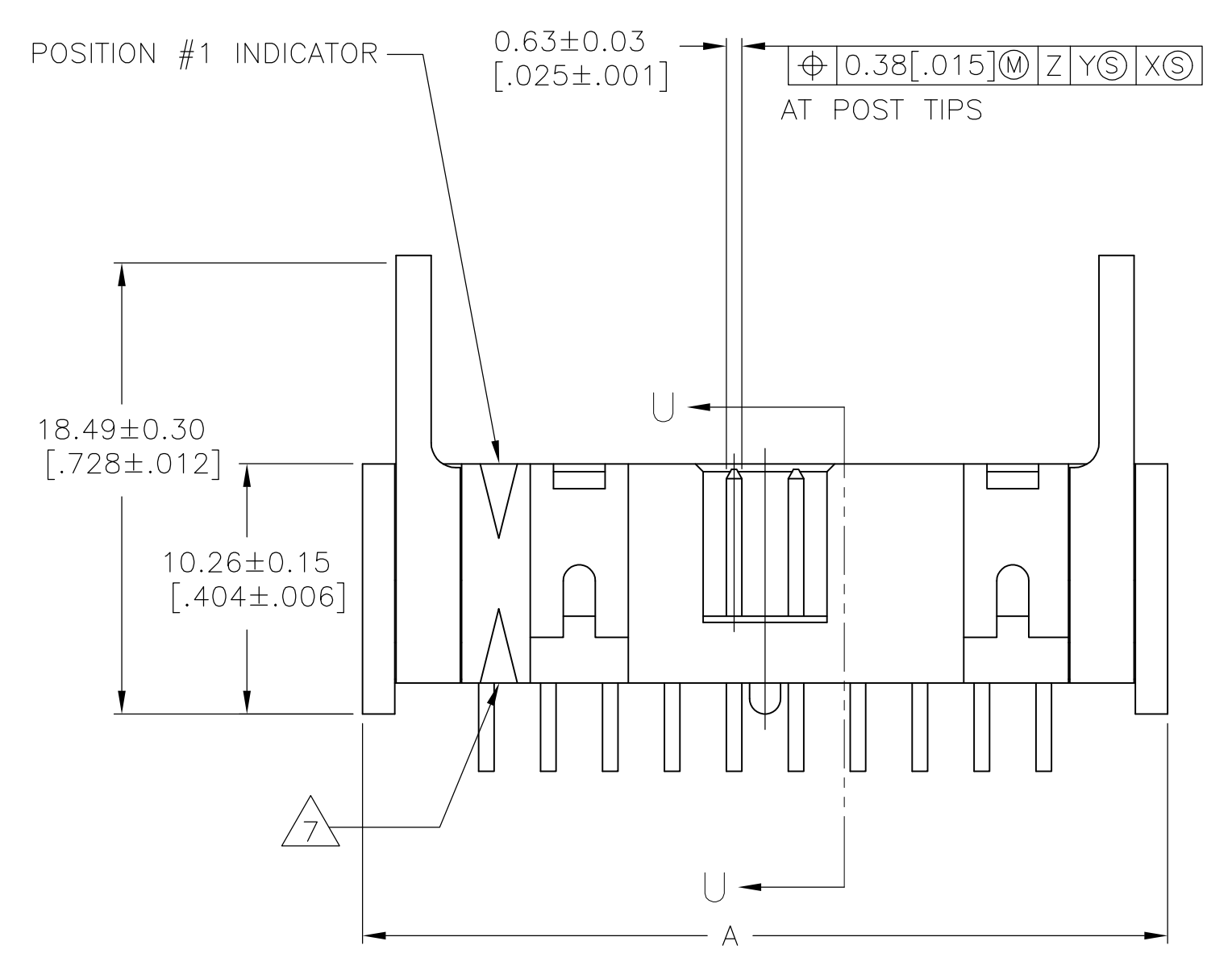


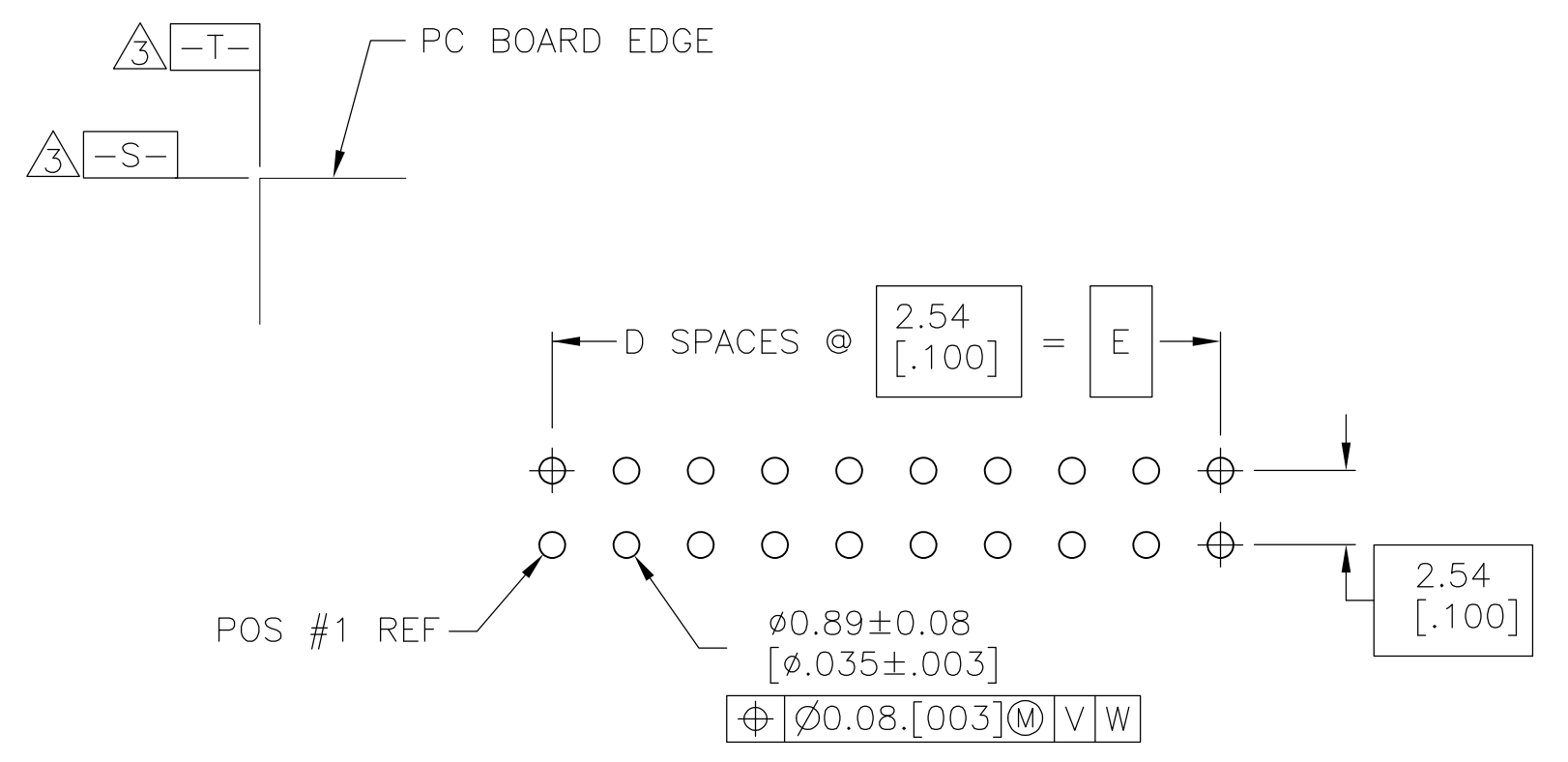
LOC		DIST		REVISIONS				
GP	00	REV	DATE	DESCRIPTION	DATE	BY	APPV	
F1	REVISED PER	ECO-11-004835	11MAR11			RK	HMR	



- △ HOUSING: PBT, UL94V-0, COLOR: (SEE TABLE).  
POSTS: PHOSPHOR BRONZE.  
LATCHES: ZINC ALLOY.
- △ POSTS: GOLD FLASH OVER PALLADIUM-NICKEL PLATE,  $0.76\mu\text{m}$  [ $.000030$ ] MIN TOTAL ON MATING AREA,  $2.54\mu\text{m}$  [ $.000100$ ] MIN TIN PLATE ON SOLDER-TAIL, ALL OVER  $1.27\mu\text{m}$  [ $.000050$ ] MIN NICKEL UNDERPLATE ON ENTIRE POST.  
OR  
 $0.76\mu\text{m}$  [ $.000030$ ] MIN GOLD PLATE ON MATING AREA,  $2.54\mu\text{m}$  [ $.000100$ ] MIN TIN PLATE ON THE SOLDER-TAIL,  $1.27\mu\text{m}$  [ $.000050$ ] MIN NICKEL UNDERPLATE ON THE ENTIRE POST.  
LATCHES: BLACK NICKEL OVER COPPER.
- △ DATUMS S & T TO BE ESTABLISHED BY CUSTOMER.
- △ NO KEYING SLOT ON THIS END FOR 6, 10, 12, & 14 POSITION ASSEMBLIES.
- △ NO KEYING SLOT ON THIS END FOR 6 & 10 POSITION ASSEMBLIES.
- △ NO STANDOFF FOR 6, 10, 12, 14 & 16 POSITION ASSEMBLIES.
- △ ALTERNATE LOCATION/ORIENTATION FOR POSITION #1 INDICATOR.



SECTION U-U



RECOMMENDED PC BOARD LAYOUT (VIEWED FROM CONNECTOR SIDE)

OBSOLETE		78.74	31	80.77	86.26	88.90	64	3-1761609-7
		[3.100]		[3.180]	[3.396]	[3.500]		
OBSOLETE		73.66	29	75.69	81.18	83.82	60	3-1761609-6
OBSOLETE		60.96	24	62.99	68.48	71.12	50	3-1761609-5
		48.26	19	50.29	55.78	58.42	40	3-1761609-3
		40.64	16	42.67	48.16	50.80	34	3-1761609-1
		35.56	14	37.59	43.08	45.72	30	3-1761609-0
	BLUE	30.48	12	32.51	38.00	40.64	26	2-1761609-9
		27.94	11	29.97	35.46	38.10	24	2-1761609-8
		22.86	9	24.89	30.38	33.02	20	2-1761609-7
		17.78	7	19.81	25.30	27.94	16	2-1761609-6
		15.24	6	17.27	22.76	25.40	14	2-1761609-5
		12.70	5	14.73	20.22	22.86	12	2-1761609-4
		10.16	4	12.19	17.68	20.32	10	2-1761609-3
	OBSOLETE	5.08	2	7.11	12.60	15.24	6	2-1761609-1
		73.66	29	75.69	81.18	83.82	60	1-1761609-6
		60.96	24	62.99	68.48	71.12	50	1-1761609-5
		48.26	19	50.29	55.78	58.42	40	1-1761609-3
		40.64	16	42.67	48.16	50.80	34	1-1761609-1
	BLACK	30.48	12	32.51	38.00	40.64	26	1761609-9
		22.86	9	24.89	30.38	33.02	20	1761609-7
		17.78	7	19.81	25.30	27.94	16	1761609-6
		15.24	6	17.27	22.76	25.40	14	1761609-5
		10.16	4	12.19	17.68	20.32	10	1761609-3
HOUSING COLOR		E	D	C	B	A	NO OF POS	PART NUMBER

THIS DRAWING IS A CONTROLLED DOCUMENT.

DIN B. CRISAMORE/DJI 30JUN05  
 CJK S. BOLASH 30JUN05  
 AP/ED M. WALMSLEY 30JUN05

TE Connectivity  
 NAME: HEADER ASSEMBLY, SHORT EJECT LATCH, RIGHT ANGLE, LOW PROFILE, IDC  
 PRODUCT SPEC: -  
 APPLICATION SPEC: -

SIZE: A1 CAGE CODE: 00779 DRAWING NO: 1761609  
 WEIGHT: - RESTRICTED TO: -

MATERIAL: △ FINISH: △ WEIGHT: - SCALE: 4:1 SHEET 1 OF 1 REV: F1  
 CUSTOMER DRAWING