

THIS DRAWING IS UNPUBLISHED.

RELEASED FOR PUBLICATION

SEP , 2007.

© COPYRIGHT 2007 By -

ALL RIGHTS RESERVED.

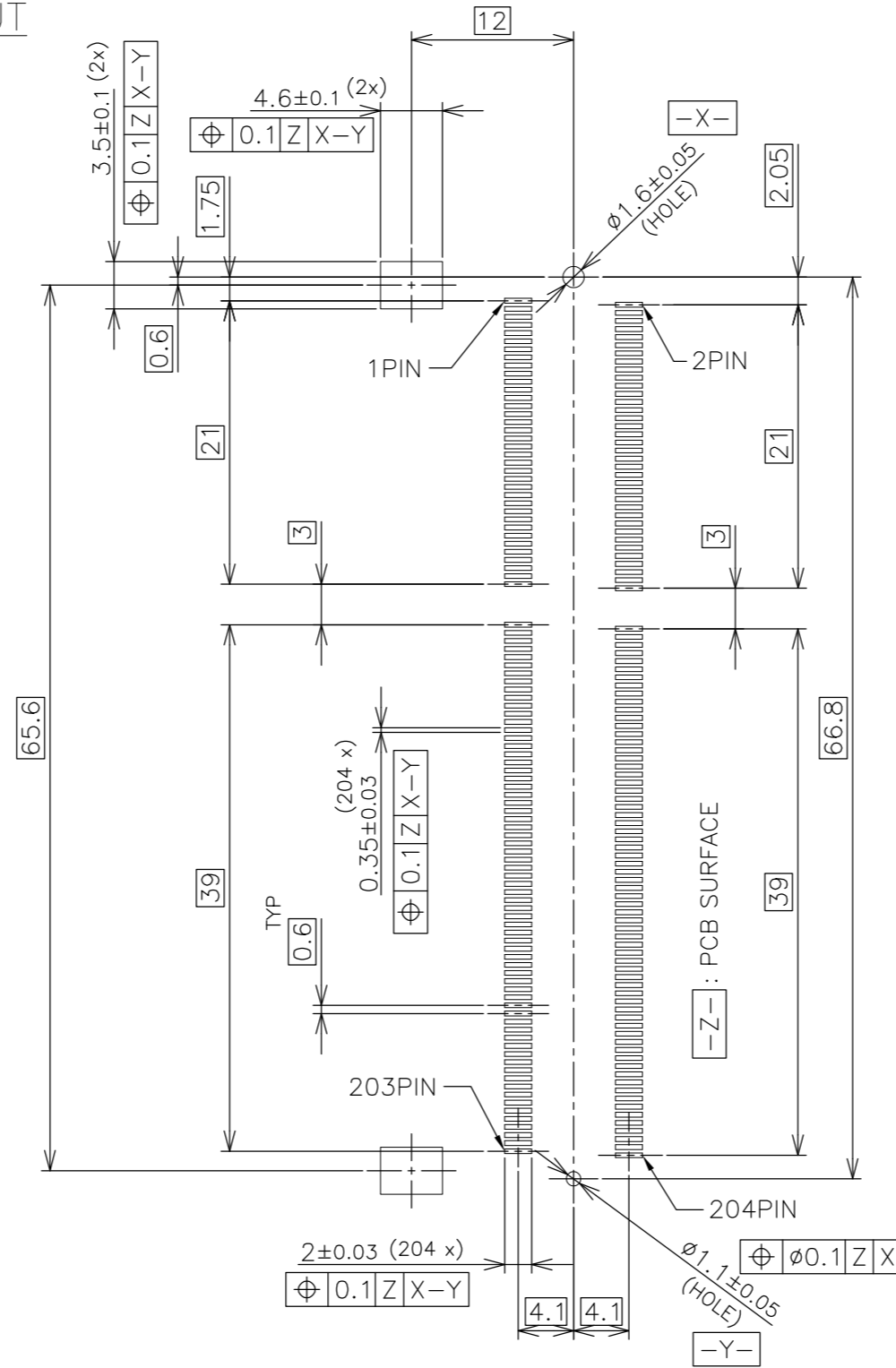
LOC
ES

DIST
/


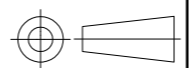
REVISIONS

P	LTR	DESCRIPTION	DATE	DWN	APVD
-	-	SEE SHEET 1	-	-	-

REFERENCE P.C.BOARD PATTERN LAYOUT (CONNECTOR MOUNTING SIDE)



RVS TYPE

THIS DRAWING IS A CONTROLLED DOCUMENT.		DWN	 TE Connectivity					
DIMENSIONS: MM		CHK				NAME		
		APVD				DDR3 SODIMM SOCKET 0.6mm PITCH 204POS 5.2mm HEIGHT REVERSE TYPE		
TOLERANCES UNLESS OTHERWISE SPECIFIED:		PRODUCT SPEC				RESTRICTED TO		
MATERIAL		APPLICATION SPEC	SIZE	CAGE CODE	DRAWING NO			
FINISH		WEIGHT	A3 00779 C-1932208					
		CUSTOMER DRAWING	SCALE	SHEET	REV			
			2:1	2 of 4	C			

THIS DRAWING IS UNPUBLISHED. RELEASED FOR PUBLICATION SEP, 2007. ALL RIGHTS RESERVED.

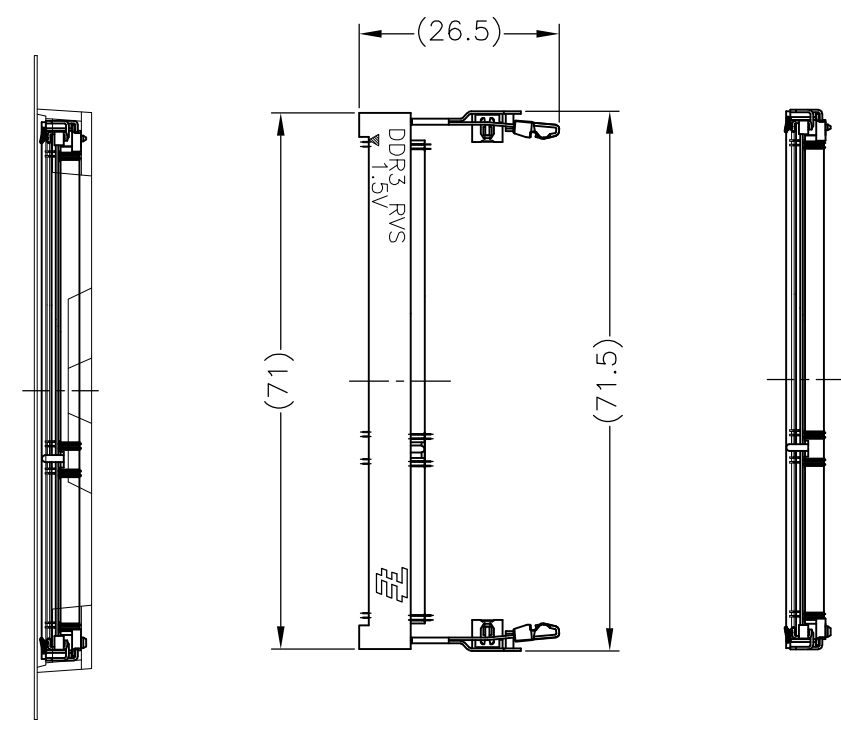
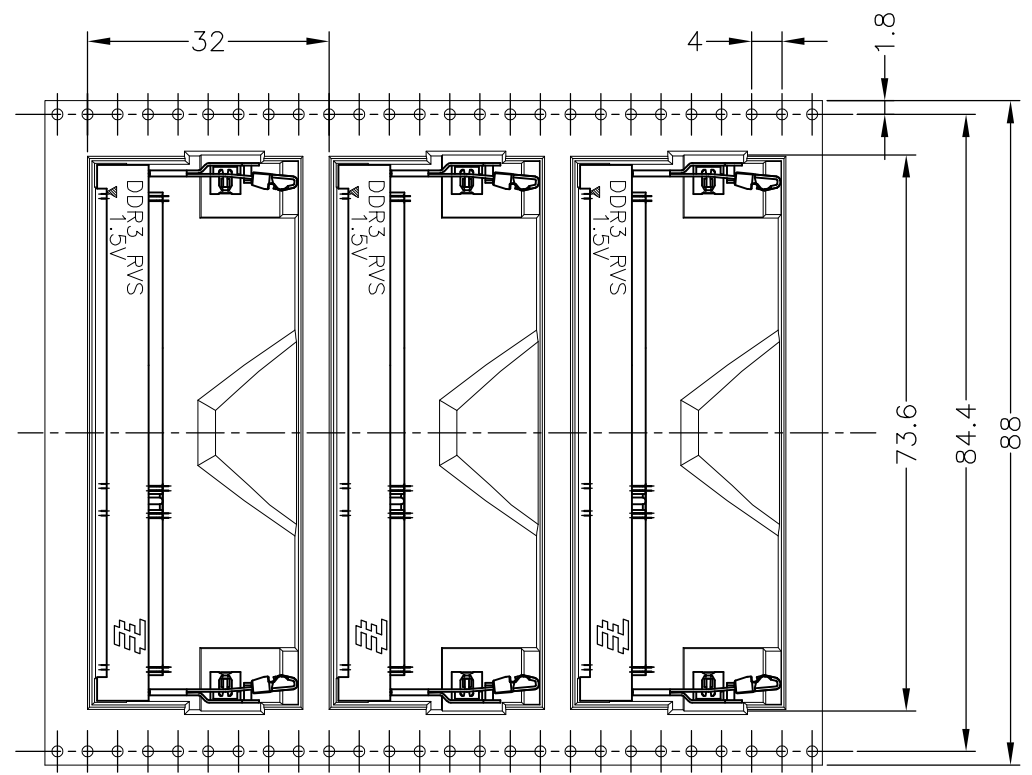
© COPYRIGHT 2007 By -

LOC ES DIST

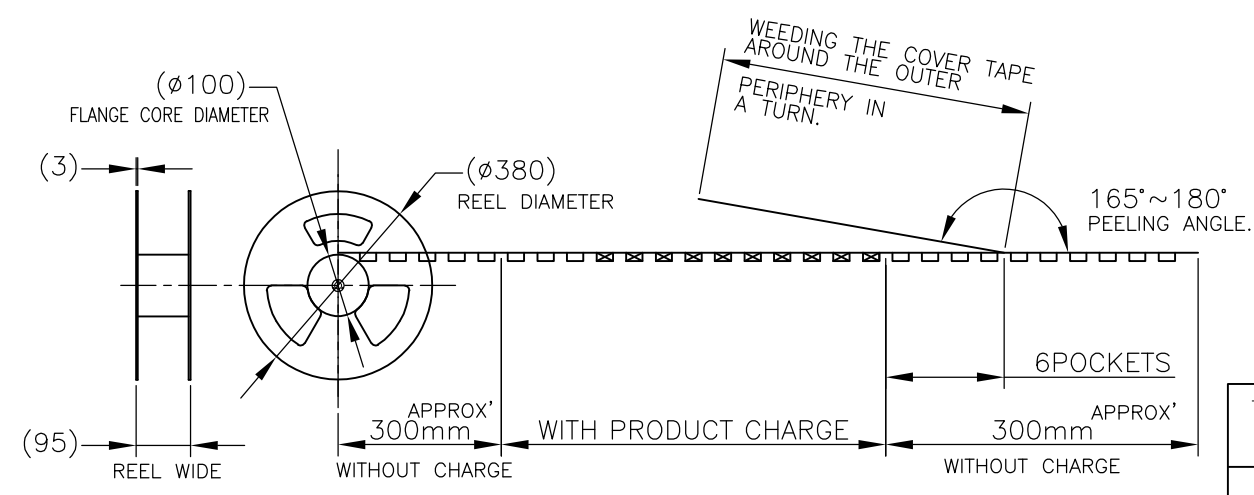
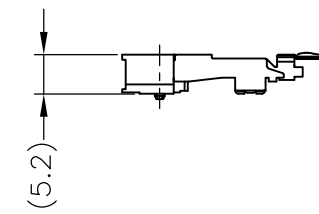
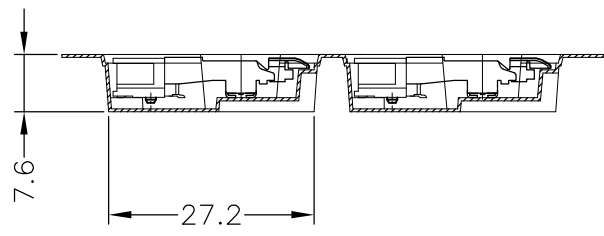
REVISIONS

P	LTR	DESCRIPTION	DATE	DWN	APVD
-	-	SEE SHEET 1	-	-	-

DIRECTION OFF TOP OF REEL →



- (APPLIED TO SHEET 4)
1. THE DIRECTION OF EACH CONNECTOR ON A REEL IS REFERRED TO THIS DRAWING.
 2. GENERAL TOLERANCE: ± 0.5 , $\pm 3^\circ$



FREE SCALE

THIS DRAWING IS A CONTROLLED DOCUMENT.

DIMENSIONS: MM	TOLERANCES UNLESS OTHERWISE SPECIFIED:
	0 PLC ± 0.5
	1 PLC ± 0.5
	2 PLC ± 0.5
	3 PLC ± 0.5
	4 PLC ± 0.5
	ANGLES $\pm 3^\circ$
MATERIAL	FINISH

DWN
CHK
APVD
PRODUCT SPEC
APPLICATION SPEC
WEIGHT
CUSTOMER DRAWING

300EA	1932208-2
300EA	1932208-1
QTY/REEL	PART NO.
STE TE Connectivity	
NAME DDR3 SODIMM SOCKET 0.6mm PITCH 204POS 5.2mm HEIGHT REVERSE TYPE	
SIZE	CAGE CODE
A3	00779
DRAWING NO	RESTRICTED TO
C-1932208	-
SCALE 1:2	SHEET 4 OF 4
REV C	