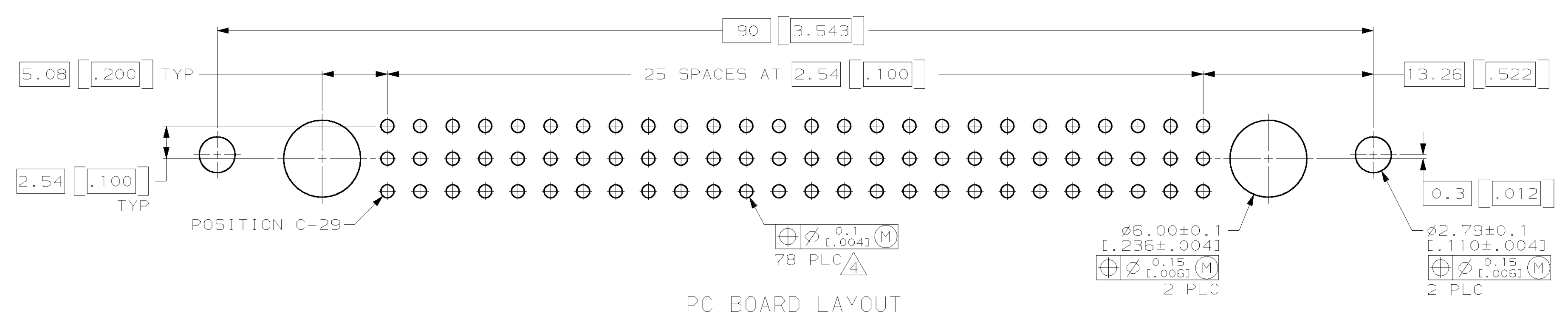
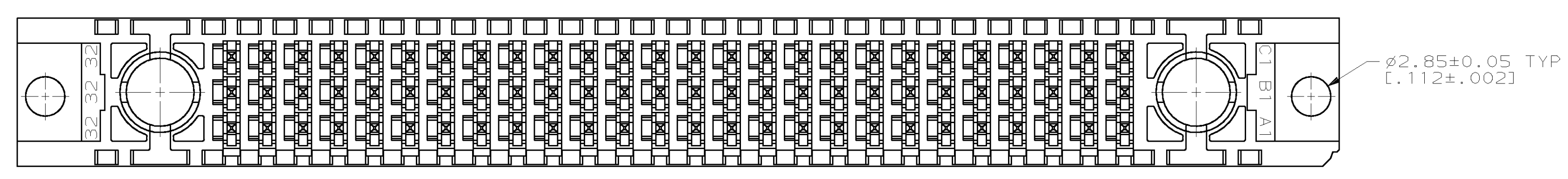
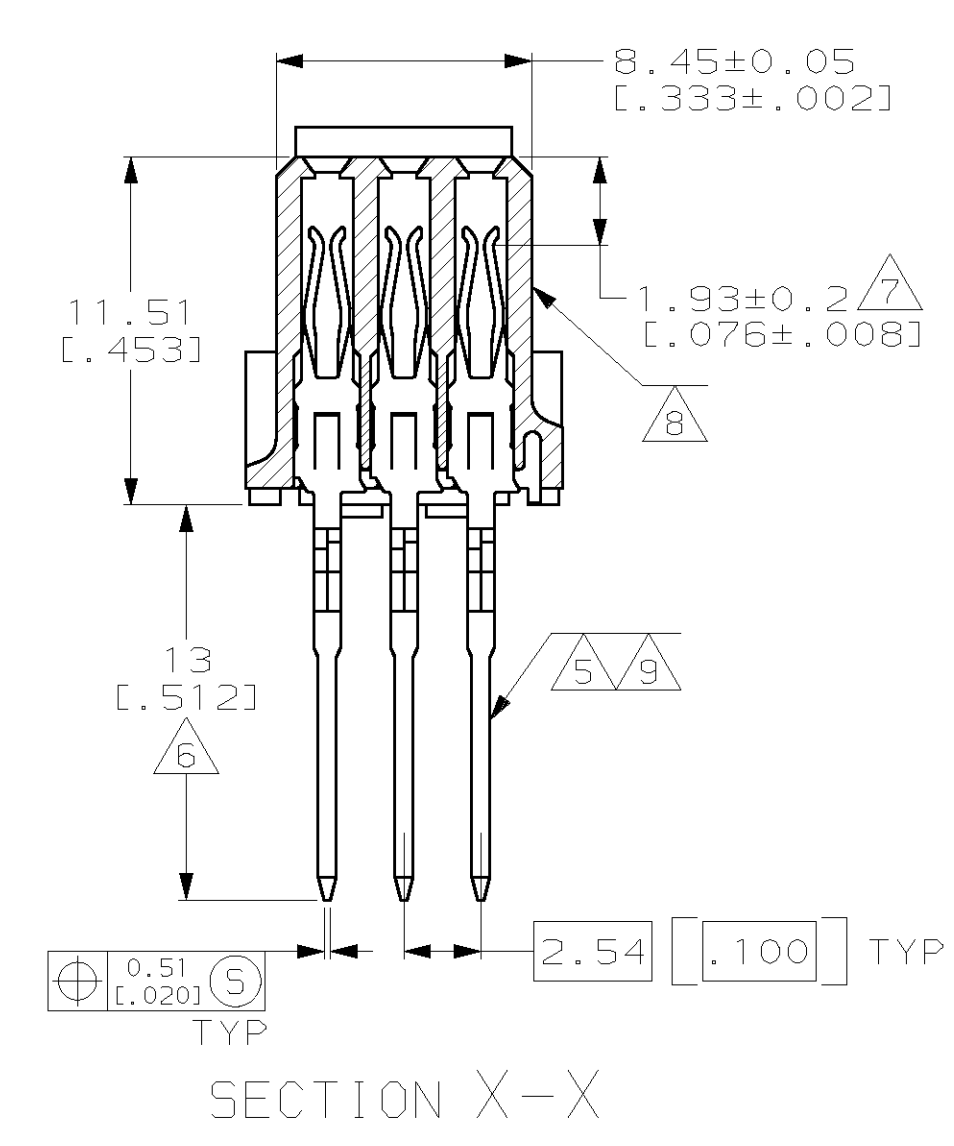
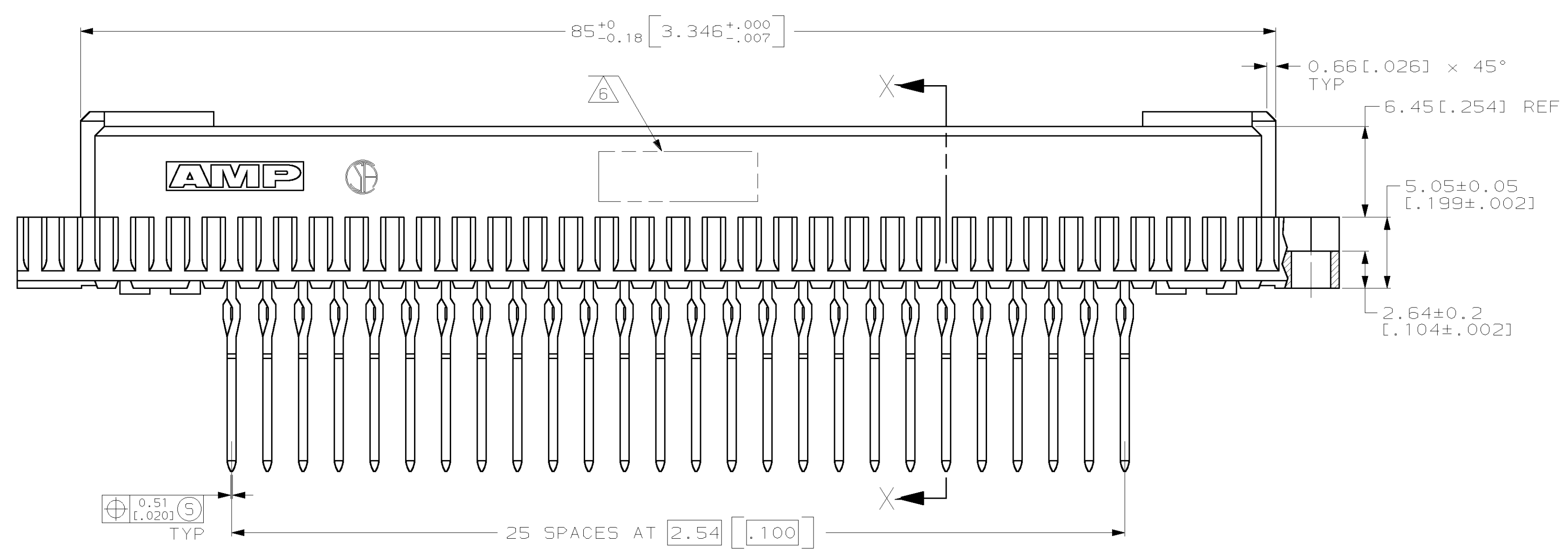
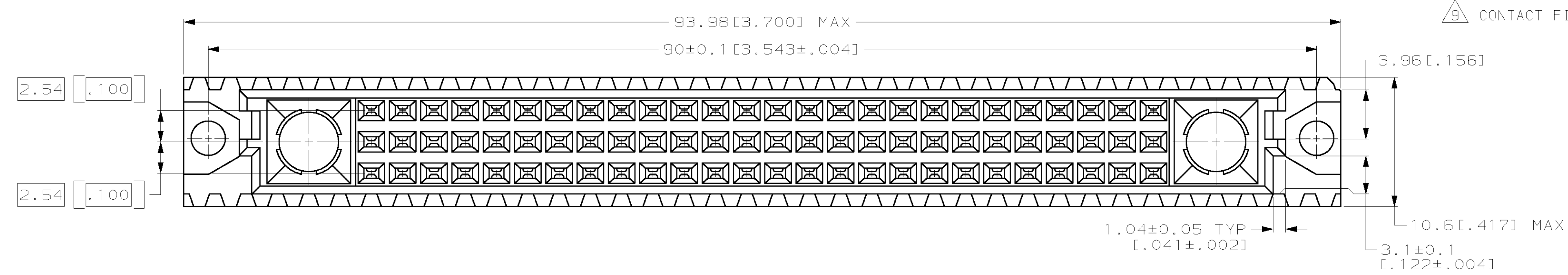


REVOLUTIONS		DATE	OWN	APPROV
AD	25			
0	DRAWN	-	-	-
A	REV PER EC 0621-80-99	06 APR 99	BC	CR

- 1 HOUSING MATERIAL: GLASS-FILLED POLYESTER. COLOR: GRAY.
- 2 CONTACT MATERIAL: PHOSPHOR BRONZE.
- 3 PART NUMBER AND DATE CODE HOT STAMPED IN THIS APPROXIMATE AREA.
- 4 ACTION PIN POSTS REQUIRE 1.57[.062] MINIMUM THICK PC BOARD. RECOMMENDED PC BOARD DRILLED HOLES ARE $\phi 1.151 \pm 0.025$ [.0453 \pm .0010] WITH $0.02 - 0.08$ [.001 - .003] COPPER AND 0.008 [.0003] MINIMUM TIN-LEAD PLATING. FINISHED HOLES AFTER PLATING $\phi 1.02 \pm 0.08$ [.040 \pm .002].
- 5 CONTACT FINISH: DIN 41612 CLASS 2 IN CONTACT AREA. TIN-LEAD PLATE ON POSTS.
- 6 TAIL LENGTH AFTER SEATED IN PC BOARD.
- 7 CONTACT POINT AFTER SEATED IN PC BOARD.
- 8 HOT STAMPING ON THIS SIDE.
- 9 CONTACT FINISH: DIN 41612 CLASS 2 IN CONTACT AREA AND LAST 5.08[.200] OF POST.



1-148418-5
148418-5
PART NUMBER

THIS DRAWING IS A CONTROLLED DOCUMENT.		DWN	L. BRINER	5/31/97	AMP Incorporated Harrisburg, PA 17105-3608			
DIMENSIONS:		CHK	R. PATTERSON	5/31/97				
TOLERANCES UNLESS OTHERWISE SPECIFIED:		APPROV	R. PATTERSON	5/31/97	RECEPTACLE ASSEMBLY, EUROCARD, TYPE M, 78 + 2 POSITION			
mm		PRODUCT SPEC						
0 PLC \pm		APPLICATION SPEC			SIZE	CAGE CODE	DRAWING NO	RESTRICTED TO
1 PLC \pm					A1	00779	148418	-
2 PLC ± 0.13 [.005]		WEIGHT			SCALE		SHEET	1 OF 1
3 PLC \pm		CUSTOMER DRAWING			4:1		REV	A
4 PLC \pm								
MATERIAL								
HOUSING: 1								
POST: 2								