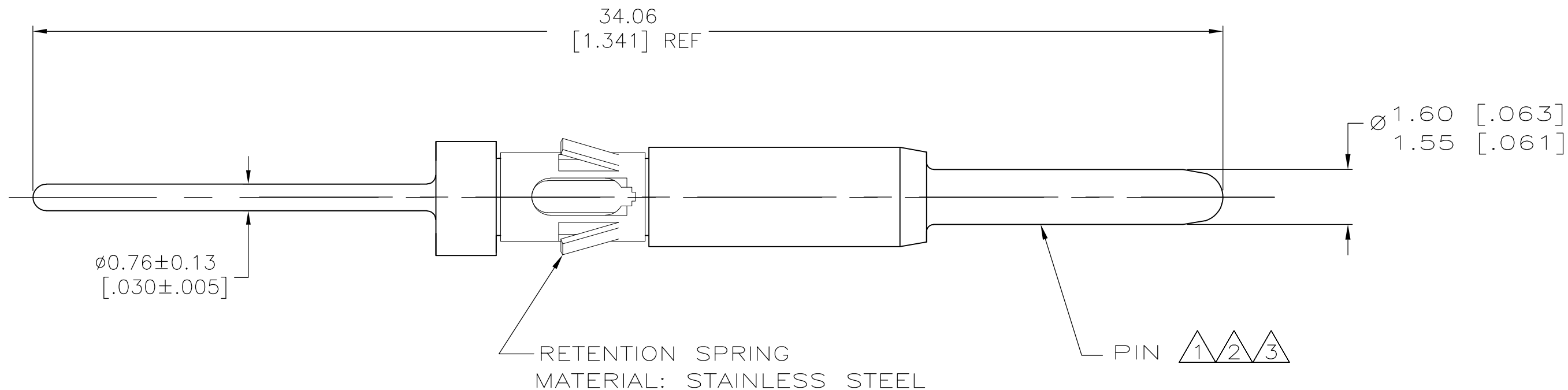


THIS DRAWING IS UNPUBLISHED. RELEASED FOR PUBLICATION
 © COPYRIGHT BY TYCO ELECTRONICS CORPORATION. ALL RIGHTS RESERVED.

LOC	DIST	REVISIONS			
P	LTR	DESCRIPTION	DATE	DWN	APVD
FT	0	A	REVISED PER ECO-07-026401	11/7/07	SS SH

- ① MATERIAL: COPPER ALLOY
- ② FINISH: 200μINCH MIN SILVER OVER 50 μINCH MIN NICKEL
- ③ FINISH: 30 μINCH MIN GOLD AT TIP, GOLD FLASH ON REMAINDER, ALL OVER 50 μINCH MIN NICKEL



PRELIMINARY	③	194264-7
	②	194264-1
	FINISH	PART NO

THIS DRAWING IS A CONTROLLED DOCUMENT.		DWN D.A.PUERNER 22/SEP/97	Tyco Electronics Corporation Harrisburg, PA 17105-3608	
DIMENSIONS: mm [INCHES]	TOLERANCES UNLESS OTHERWISE SPECIFIED:	CHK -	NAME PIN, .062 DIA, HIGH CURRENT TYPE II/111+	
	0 PLC ± -	APVD -	PRODUCT SPEC -	
	1 PLC ± -	PRODUCT SPEC -	APPLICATION SPEC -	
	2 PLC ± -	APVD -	SIZE A3	CAGE CODE 00779
	3 PLC ± -	APVD -	DRAWING NO C-194264	RESTRICTED TO -
	4 PLC ± -	APVD -	SCALE NONE	SHEET 1 OF 1
	ANGLES ± -	APVD -	REV A	
MATERIAL - ①	FINISH SEE TABLE	WEIGHT -	CUSTOMER DRAWING	