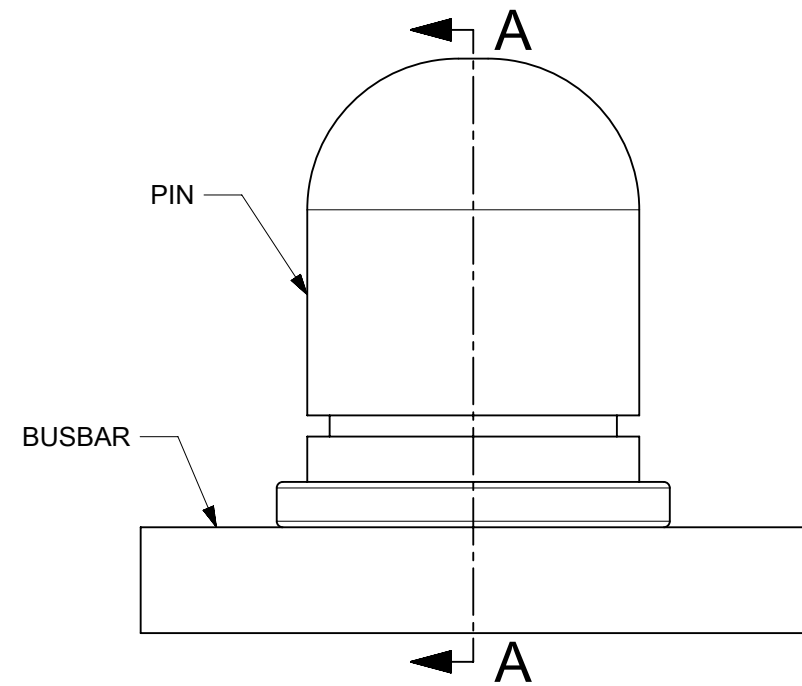
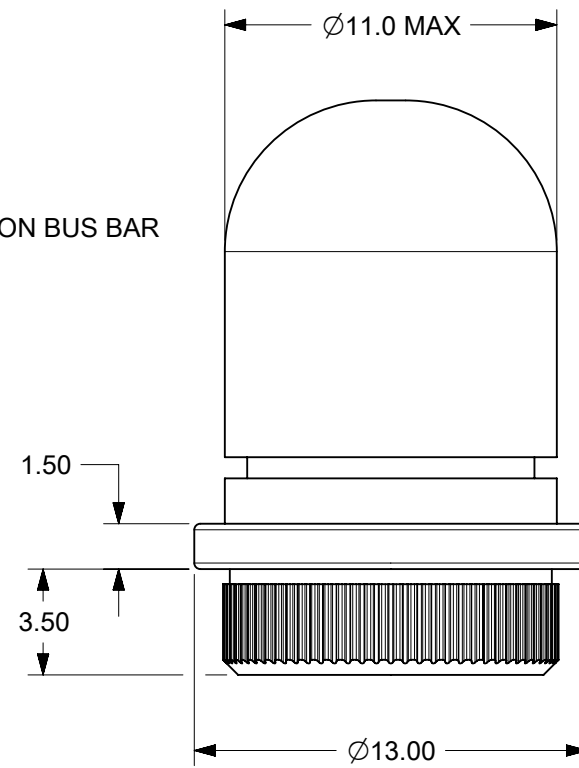


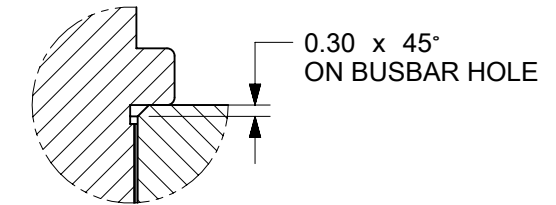
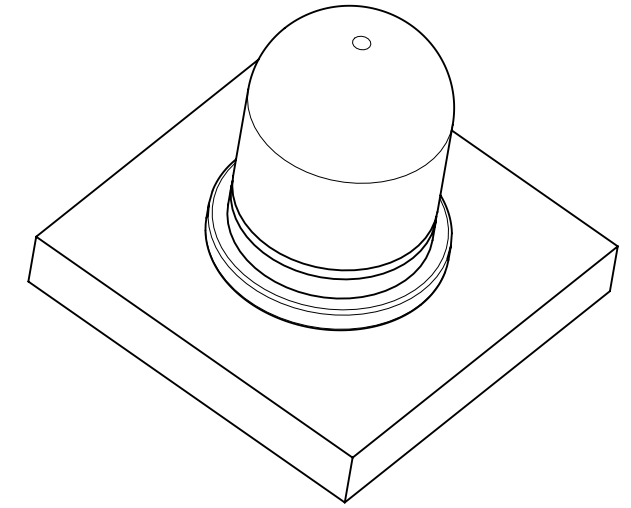
BUS BAR LAYOUT: COMPONENT SIDE

Ø11.05 ±0.02  
(USE REAMER)  
HOLE REQUEST ON BUS BAR



(3.50)  
SEE NOTE 6

SECTION A-A



DETAIL B  
SCALE 5:1

NOTES:

1. MATERIALS:  
BASE METAL: HIGH CONDUCTIVE COPPER ALLOY  
PLATING ON BODY: 3.18 MICRON MIN SILVER OVER 1.27 MICRON MIN NICKEL
2. SILVER COMPONENTS WILL BE SUPPLIED TARNISH FREE BUT MAY TARNISH OVER TIME.
3. MINIMUM RECOMMENDED BUSBAR THICKNESS IS 1.5MM
4. PRODUCT SPECIFICATION: 2182310001-PS
5. APPLICATION SPECIFICATION: 2182310001-AS
6. PACKAGING SPECIFICATION: BULK PACKAGING AS PER 2183350001-PK

THIS DRAWING CONTAINS INFORMATION THAT IS PROPRIETARY TO MOLEX ELECTRONIC TECHNOLOGIES, LLC AND SHOULD NOT BE USED WITHOUT WRITTEN PERMISSION																	
DIMENSION UNITS	SCALE	CURRENT REV DESC: PRODUCT RELEASE															
mm	4:1	<div style="text-align: right; font-size: 24pt; font-weight: bold;">molex</div> <p style="text-align: center;">11MM SW1 PRESS-FIT LOCKING PIN</p> <p style="text-align: center;">PRODUCT CUSTOMER DRAWING</p>															
GENERAL TOLERANCES (UNLESS SPECIFIED)																	
ANGULAR TOL	± 0.5°																
4 PLACES	±																
3 PLACES	±																
2 PLACES	± 0.15																
1 PLACE	± 0.25	EC NO: 741091	DRWN: SREENA1	2022/11/24	<table border="1" style="width: 100%;"> <tr> <td>DOCUMENT NUMBER</td> <td>DOC TYPE</td> <td>DOC PART</td> <td>REVISION</td> </tr> <tr> <td>2183360001</td> <td>PSD</td> <td>000</td> <td>B2</td> </tr> </table>					DOCUMENT NUMBER	DOC TYPE	DOC PART	REVISION	2183360001	PSD	000	B2
DOCUMENT NUMBER	DOC TYPE	DOC PART	REVISION														
2183360001	PSD	000	B2														
0 PLACES	±	DRWN: SMAHAJANSHET	2021/04/02	2021/04/07													
DRAFT WHERE APPLICABLE MUST REMAIN WITHIN DIMENSIONS		THIRD ANGLE PROJECTION	DRAWING	SERIES	MATERIAL NUMBER	CUSTOMER	SHEET NUMBER										
			B-SIZE	218336	2183360001	GENERAL MARKET	1 OF 1										