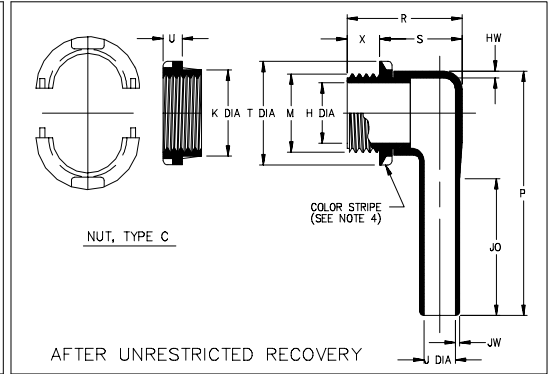
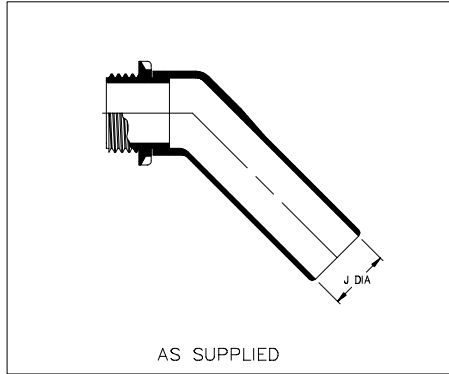


Thermofit[®] Molded Parts
 Specification Control Drawing
 Limited Distribution

Part Number : 227W213-X-A10
 Description : 90° Feedthrough, Low Profile

NOTES

- All dimensions are in $\frac{\text{inches}}{\text{[millimeters]}}$
- Dimensions appearing in table are as follows:
 a - As Supplied
 b - After Unrestricted Recovery
- Type "C" nut supplied with part.
- Part shall have color stripe 1/8" wide x 360° around outside surface, located approx. as shown. (color to be yellow)



PART NUMBER	H Min b	J		JO ±10% b	M ±.03 b	P ±10% b	R Ref b	S Max b	T ±.03 b	X Min b	HW ±20% b	JW ±20% b	K Ref b	U ±10% b
		Min a	Max b											
227W213-X-A10	.39 [9,9]	.47 [11,9]	.25 [6,35]	1.35 [34,3]	.79 [20,1]	2.04 [51,8]	1.93 [49,0]	1.20 [30,5]	1.26 [32,0]	.78 [19,8]	.06 [1,5]	.04 [1,0]	.91 [23,1]	.28 [7,1]

Raychem

RAYCHEM CORPORATION
 300 CONSTITUTION DRIVE
 MENLO PARK, CALIFORNIA 94025

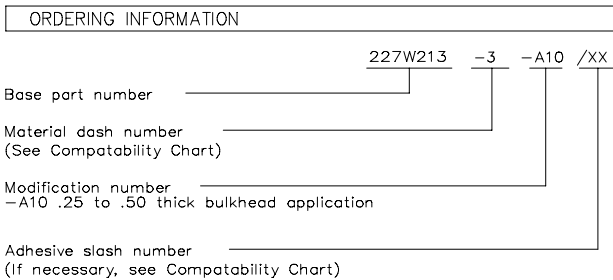
Revision : C
 Date : 9/22/94

Part Number : 227W213-X-A10
 Description : 90° Feedthrough, Low Profile

Thermofit[®] Molded Parts
 Specification Control Drawing
 Limited Distribution

Part Number : 227W213-X-A10
 Description : 90° Feedthrough, Low Profile

COMPATABILITY CHART					
MATERIAL DASH NO.	MATERIAL DESCRIPTION	RT SPEC	COATING SLASH NO.	COATING S NO.	COATING DESCRIPTION
-3	Polyolefin, Semi-rigid	RT-301	N/A		



THIS DRAWING IS SUBJECT TO CHANGE WITHOUT NOTICE; CONSULT YOUR
 NEAREST FIELD REPRESENTATIVE FOR CURRENT REVISION

If this document is printed it becomes uncontrolled.
 Check for the latest revision.

Raychem

RAYCHEM CORPORATION
 300 CONSTITUTION DRIVE
 MENLO PARK, CALIFORNIA 94025

Revision : C
 Date : 9/22/94

Part Number : 227W213-X-A10
 Description : 90° Feedthrough, Low Profile

CAD FILE MP94262