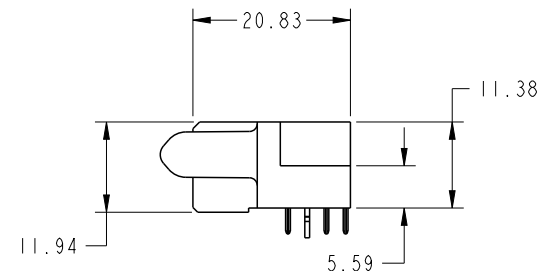
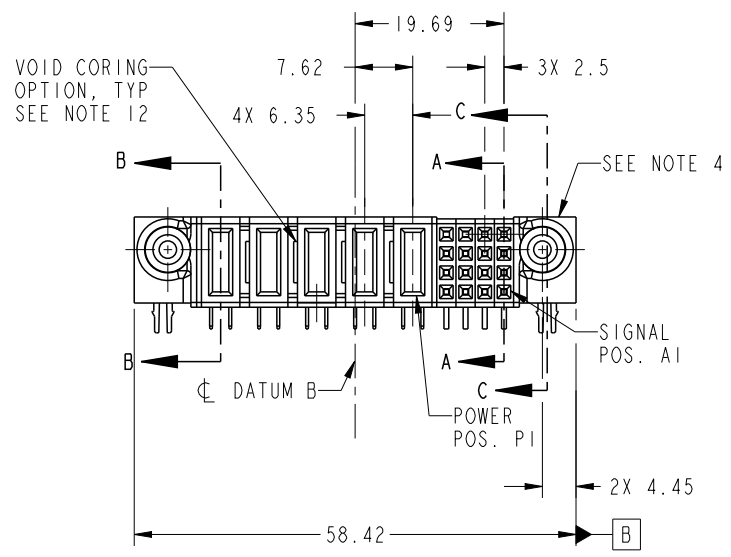




Copyright FCI.

PRODUCT NO. 51771-026-- NOTE 3	ROWS D C B A	POWER					SIGNAL					
		E2	P5	P4	P3	P2	P1	4	3	2	1	E1
			PA	PA	PA	PA	PA	H	H	H	H	
								G	G	G	G	
								F	F	F	F	
								E	E	E	E	



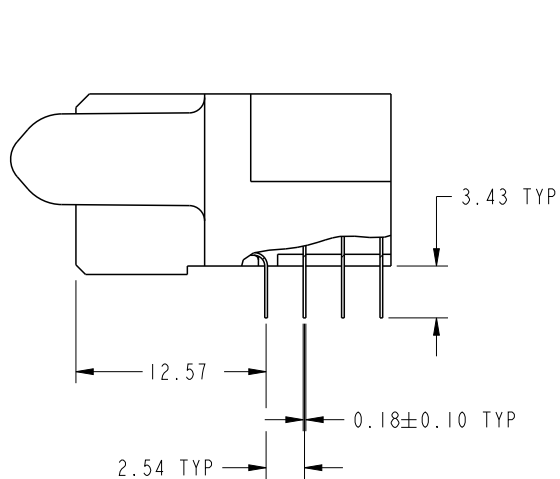
CODE	DIM "M" MATING LENGTH	CONTACT TYPE
PA	[1.07]	POWER
H	[N/A]	SIGNAL
G	[N/A]	SIGNAL
F	[N/A]	SIGNAL
E	[N/A]	SIGNAL
HA	[N/A]	HOLD-DOWN

spec ref	SEE NOTES			dr	X Q Wang	2012/08/10	projection 	MM ←→	size	A4	scale	1:1
tolerance std	TOLERANCES UNLESS OTHERWISE SPECIFIED			eng	Jackie Huang	2013/06/21			ecn no	-		
SEE NOTES				chr	-	-						
surface	✓	linear	0.X	±0.50	FCI www.fci.com	title	16S+5P R/A SOLDER RECEPTACLE	cat. no.	product family	PwrBlade	rel level	Released
			0.XX	±0.25								
			0.XXX	±0.10								
		angular	0°	±2°								
				www.fci.com				Product - Customer Drw			sheet 1 of 4	

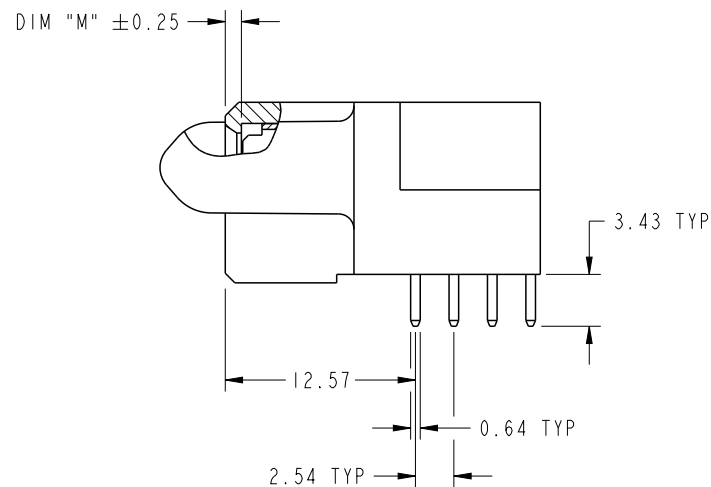
PrdE File - REV C - 2009-06-09

PRODUCT NUMBER

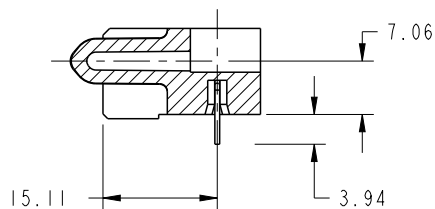
51771-026__
NOTE 3



BROKEN-OUT SECTION A-A
SCALE 2:1



BROKEN-OUT SECTION B-B
SCALE 2:1

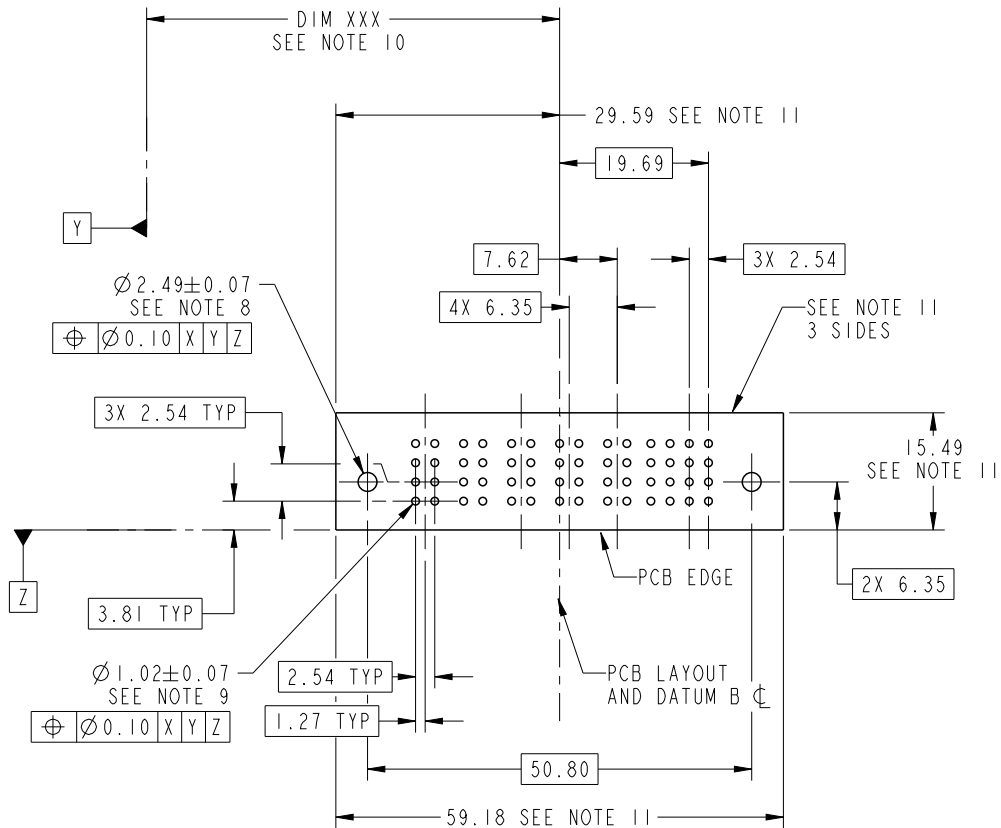


SECTION C-C

dr	X Q Wang	2012/08/10	projection 	MM ←————→	size	A4	scale	1:1
eng	Jackie Huang	2013/06/21			ecn no	-		
chr	-	-			rel level	Released		
appr	Pei-Ming Zheng	2013/06/21	product family	PwrBlade	rev	51771-026	A	
		title	16S+5P R/A SOLDER RECEPTACLE		dwg no	51771-026	rev	A
www.fci.com		cat. no.	Product - Customer Drw			sheet 2 of 4		

PRODUCT NUMBER

51771-026__
NOTE 3



RECOMMENDED PCB LAYOUT

dr	X Q Wang	2012/08/10	projection 	MM 	size	A4	scale	1:1
eng	Jackie Huang	2013/06/21			ecn no	-		
chr	-	-			rel level	Released		
appr	Pei-Ming Zheng	2013/06/21	product family	PwrBlade	rel level	Released		
	title	16S+5P R/A SOLDER RECEPTACLE		dwg no	51771-026		rev	A
www.fci.com	cat. no.	Product - Customer Drw			sheet 3 of 4			

PRODUCT NUMBER

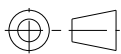
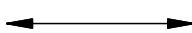

51771-026--
NOTE 3

NOTES:

1. DIMENSIONS AND TOLERANCES ARE IN ACCORDANCE WITH ASME Y14.5M, 1994 UNLESS OTHERWISE SPECIFIED.

CONNECTOR NOTES:

- 2. HOUSING MATERIAL: UL 94 V-0 GLASS FILLED HIGH-TEMP THERMOPLASTIC
POWER CONTACT MATERIAL: COPPER ALLOY
SIGNAL PIN MATERIAL: COPPER ALLOY
 - 3. SEE ITEM 5 & 6 IN PRINT 10064183 FOR PLATING SPEC OF 51771-026 AND 51771-026LF RESPECTIVELY.
 - 4. MANUFACTURER'S NAME, DATE CODE AND OPTIONAL P/N TO APPEAR ON THIS SURFACE. THE MARK CAN BE OMITTED IF THERE IS NOT ENOUGH SPACE ON THIS SURFACE.
 - 5. PRODUCT SPECIFICATION GS-12-149.
APPLICATION SPECIFICATION BUS-20-067.
 - 6. PACKAGED IN TRAYS.
- PCB NOTES:
- 7. ALL HOLE DIAMETERS ARE FINISHED HOLE SIZE.
 - 8. MOUNTING HOLES, WHERE APPLICABLE, ARE UNPLATED.
 - 9. $\varnothing 1.151 \pm 0.025$ DRILLED HOLES PLATED WITH
0.008 MIN SnPb OR Sn OVER 0.03
TO 0.08 Cu PLATING TO ACHIEVE
 $\varnothing 1.02 \pm .07$ HOLE.
 - 10. "DIM XXX" TO BE DETERMINED BY THE CUSTOMER.
 - 11. CONNECTOR KEEP-OUT ZONE.
 - 12. THE VOID CORING IN BETWEEN POWER MODULES, SIGNAL MODULES AND END MODULES ARE OPTIONAL AND THE SHAPE MAY BE DIFFERENT FOR OPTIMIZE THE MOLDING PROCESS. THE VOID CORING WILL NOT EFFECT TO PRODUCT FUNCTION.

dr	X Q Wang	2012/08/10	projection 	MM 	size	A4	scale	1:1
eng	Jackie Huang	2013/06/21			ecn no	-		
chr	-	-			product family	PwrBlade	rel level	Released
appr	Pei-Ming Zheng	2013/06/21			title I6S+5P R/A SOLDER RECEPTACLE	dwg no 51771-026	rev A	
www.fci.com		cat. no.	Product - Customer Drw			sheet 4 of 4		



Copyright FCI.