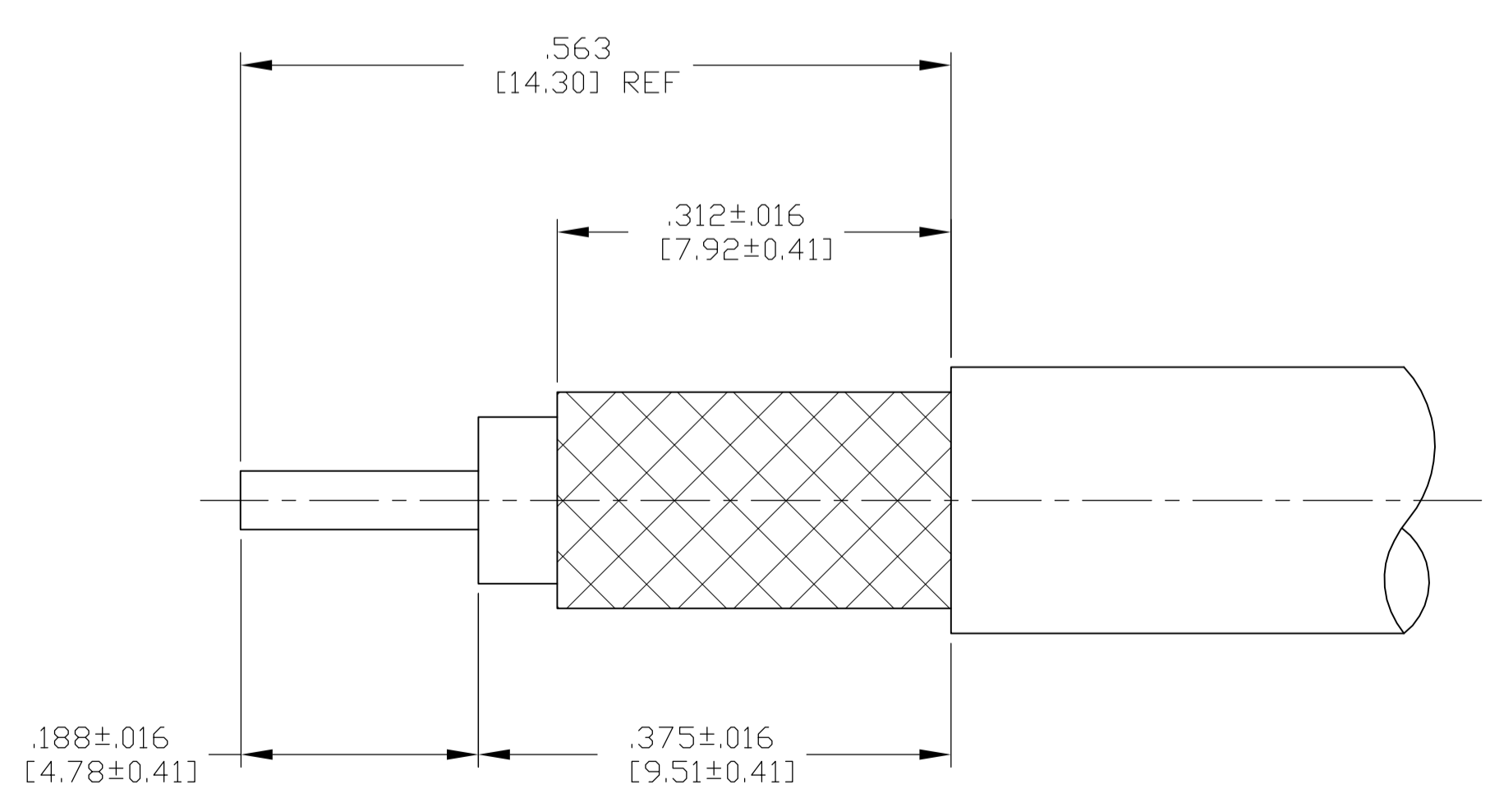
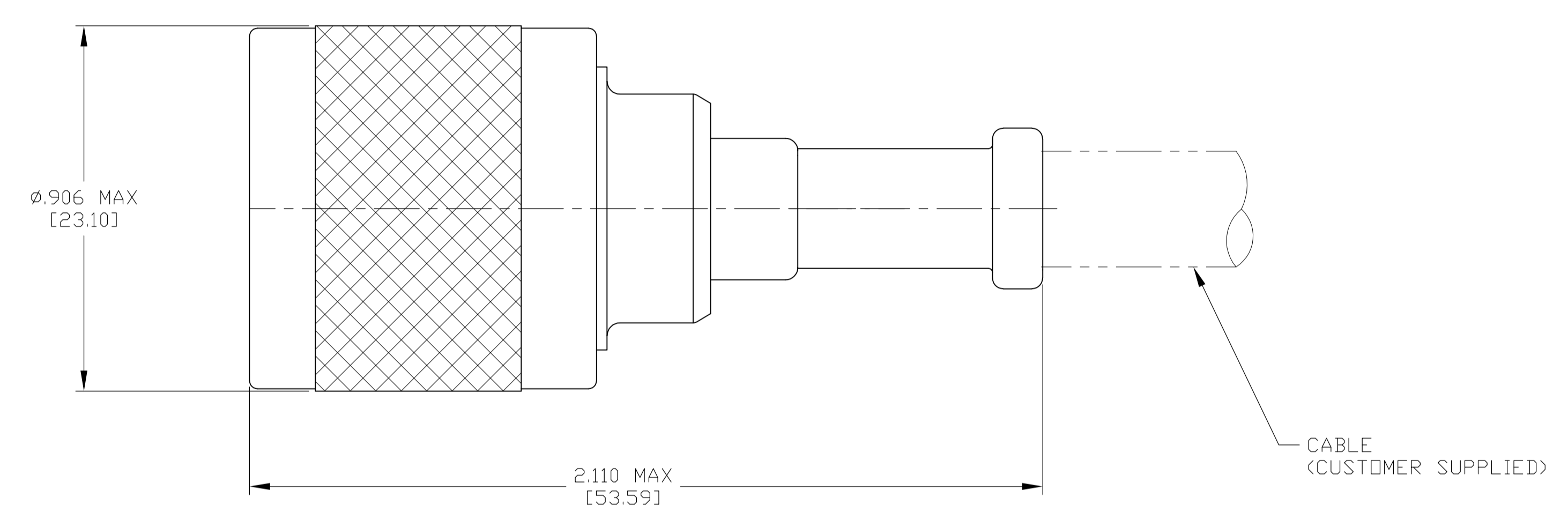
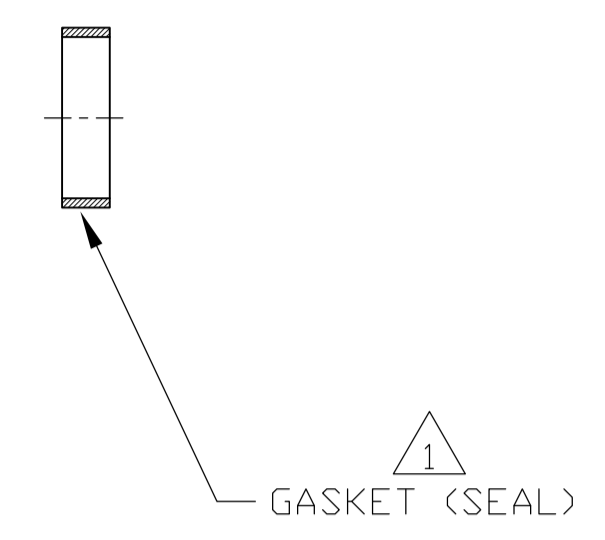
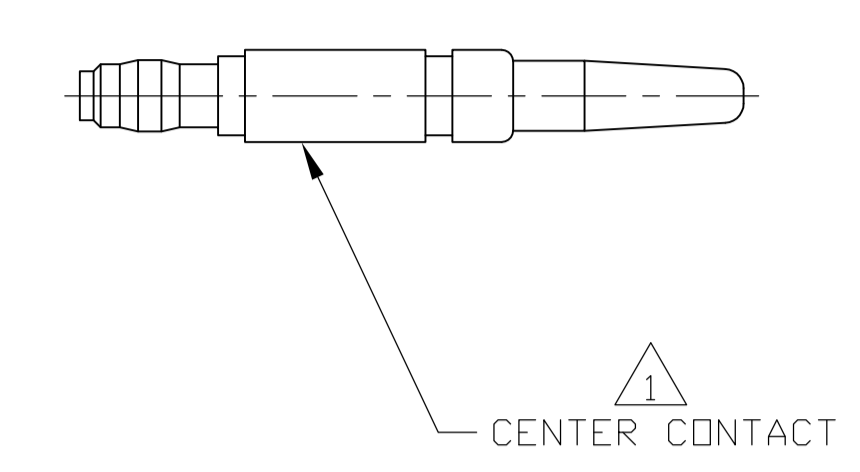
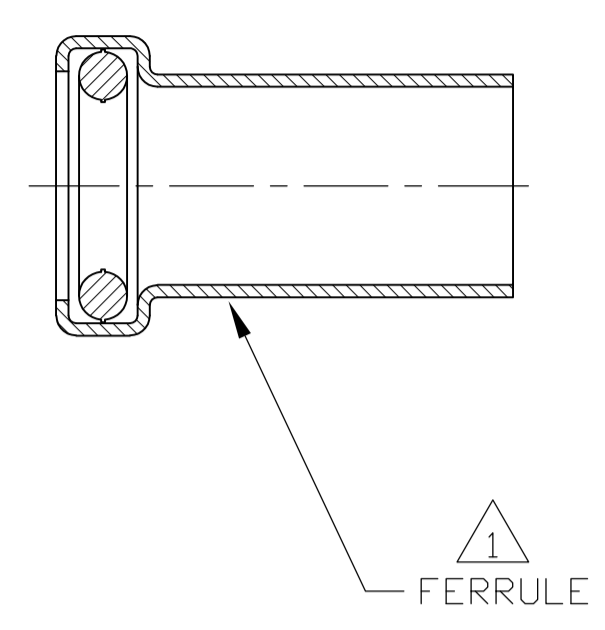


COMPONENT	MATERIAL	FINISH
COUPLING NUT BODY INNER & CRIMP FERRULE	BRASS PER ASTM B-16	SILVER PER ASTM B-700
CENTER CONTACT	BRASS PER ASTM B-16	GOLD PER ASTM B-488
GASKETS	SILICONE PER ZZ-R-765	---
DIELECTRIC	TEFLON PER ASTM D-1710	---
OUTER CONTACT	BERYLLIUM COPPER PER ASTM B-196	SILVER PER ASTM B-700



- 1. CENTER CONTACT, FERRULE & SEAL PACKAGED UNASSEMBLED.
- 2. RATED AT 2300 VAC.

RG-59/U	220045-3	1996107-1
CABLE SIZE	CRIMP TOOL	PART NO.

THIS DRAWING IS A CONTROLLED DOCUMENT.		DIN C.C.THOMAS 8-21-07	Tyco Electronics Corporation Harrisburg, PA 17105-3608	
DIMENSIONS: INCHES [mm]		CHK B.MOYER 8-21-07	NAME B.MOYER	
TOLERANCES UNLESS OTHERWISE SPECIFIED:		APVD B.MOYER 8-21-07	PRODUCT SPEC 108-12066	
0. PLC ± -		APPLICATION SPEC I.S. 2338		
1. PLC ± -		SIZE A1		
2. PLC ± .016 [0.41]		CAGE CODE 00779		
3. PLC ± -		DRAWING NO. 1996107		
4. PLC ± -		RESTRICTED TO -		
ANGLES ± -		WEIGHT -		
MATERIAL SEE TABLE	FINISH SEE TABLE	CUSTOMER DRAWING		SCALE 4:1 SHEET 1 OF 1 REV A