

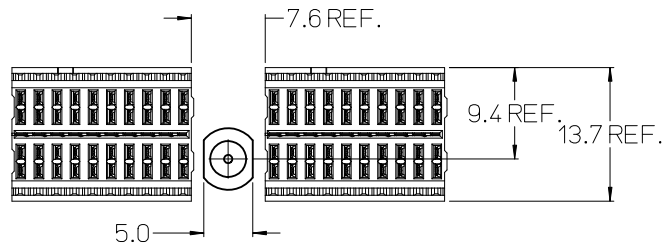
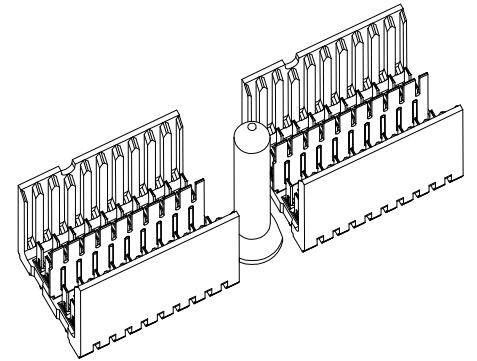
10 9 8 7 6 5 4 3 2 1

TABLE 2 - SCREW SPECIFICATIONS

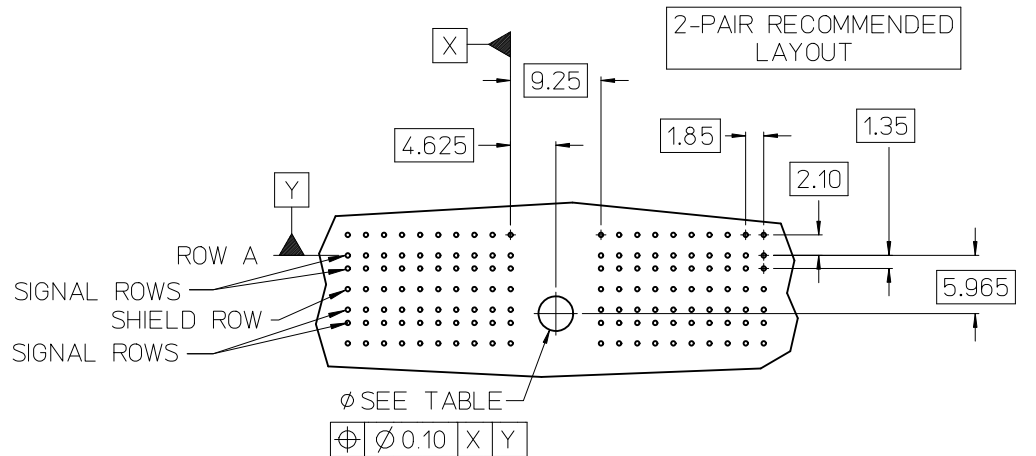
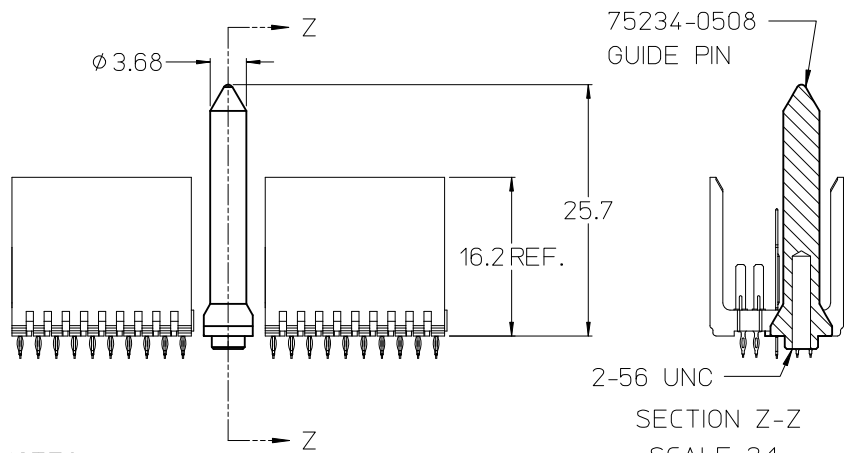
SCREW P/N	DESCRIPTION	BOARD THICKNESS
73774-1000	#2-56 X 0.375" LONG SQUARE CONICAL MACHINE SCREW	1.6-5.0mm
73774-1005	#2-56 X 0.500" LONG SQUARE CONICAL MACHINE SCREW	5.0-8.0mm

TABLE 1 - HOLE SPECIFICATIONS

FINISHED HOLE SIZE	GROUND	UNGROUND
	Ø3.48-3.63	Ø3.48-3.63
PAD	Ø6.5	N/A
PLATED	YES	NO
DRILL (mm)	Ø3.66	---
DRILL (in)	Ø0.144	---



KIT P/N	BOARD THICKNESS	GUIDE PIN P/N	SCREW P/N
75234-1508	1.6 - 5.0mm	75234-0508	73774-1000
75234-2508	5.0 - 8.0mm	75234-0508	73774-1005



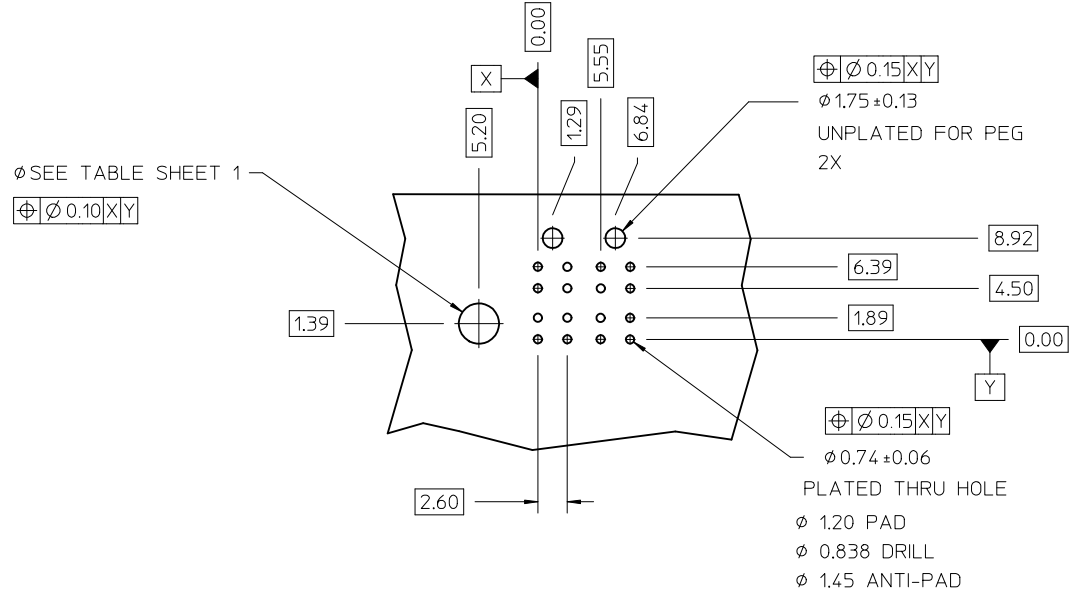
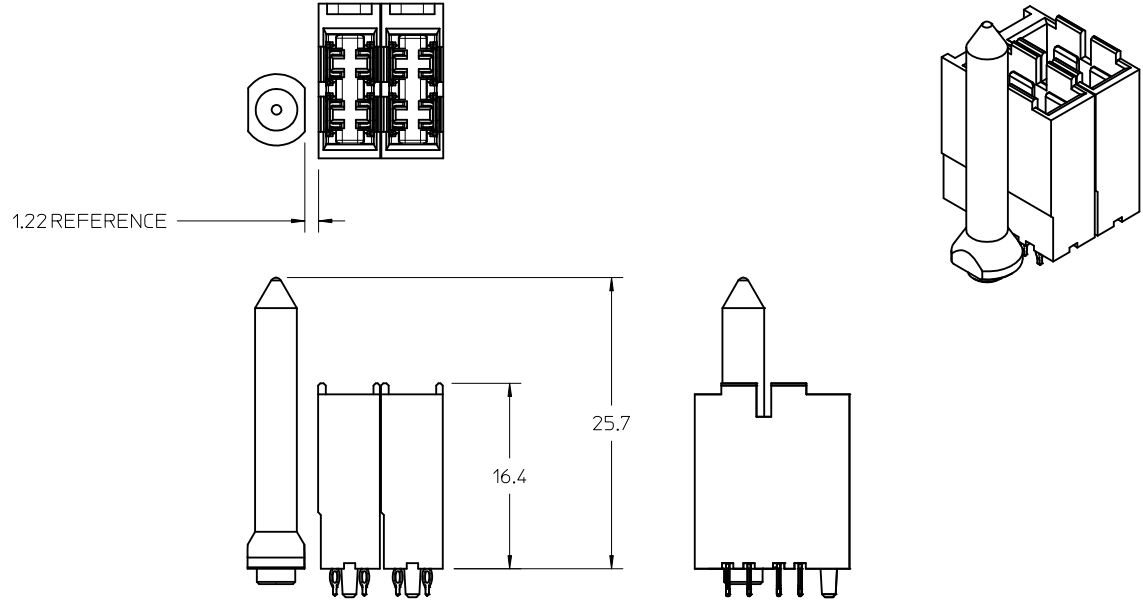
NOTES:

- REFER TO BACKPLANE SALES DRAWINGS FOR ROW AND COLUMN ASSIGNMENTS.
- INSTALLATION TORQUE SPECIFICATIONS: 2.5-3.0 INCH-POUNDS.
- PLATED THRU HOLE TO CONNECT TO CHASSIS FOR GROUNDED GUIDE MODULE OPTION.
- REFER TO PRODUCT SPECIFICATION PS-75221-999 FOR ADDITIONAL DETAILS.
- MINIMUM BOARD THICKNESS: 1.60

ADD SHEET 2 EC NO: UCP2011-1264 DRWN: SDANNELLEY 2010/11/01 CHKD: JMELTON 2010/11/01 APPR: SMILLER 2010/11/23	QUALITY SYMBOLS ▽=0 ▽=0 ▽=0	GENERAL TOLERANCES (UNLESS SPECIFIED)		DIMENSION STYLE MM ONLY		SCALE ---	DESIGN UNITS METRIC	THIRD ANGLE PROJECTION		
		4 PLACES ± --- ± ---	3 PLACES ± --- ± ---	2 PLACES ± --- ± ---	1 PLACE ± --- ± ---	DRAWN BY JB INGHAM	DATE 2005/11/22	TITLE GBX 2-PAIR BACKPLANE FREE-STANDING GUIDE PIN BOARD LAYOUT DRAWING		
		ANGULAR ± --- °				CHECKED BY KMULVEY	DATE 2005/11/22	MOLEX INCORPORATED		
		DRAFT WHERE APPLICABLE MUST REMAIN WITHIN DIMENSIONS				APPROVED BY SMILLER	DATE 2010/11/23	MATERIAL NO. SEE TABLE	DOCUMENT NO. SD-75234-120	SHEET NO. 1 OF 2

9 8 7 6 5 4 3 2 1

FREE-STANDING GUIDE PIN USED IN CONJUNCTION WITH GBX BP POWERS 75492 SERIES. SEE SHEET 1 FOR PART SPECIFICATIONS.



SEE SHEET 1 EC NO: UCP2011-1264 DRWNS:DANIELLEY 2010/11/01 CHKD:J.MELTON 2010/11/01 APPR:SMILLER 2010/11/23	QUALITY SYMBOLS ▽=0 ▽=0 ▽=0	GENERAL TOLERANCES (UNLESS SPECIFIED)		DIMENSION STYLE MM ONLY		SCALE ---	DESIGN UNITS METRIC	THIRD ANGLE PROJECTION		
		4 PLACES ±---	mm	INCH	DRAWN BY JB INGHAM	DATE 2005/11/22	TITLE GBX 2-PAIR BACKPLANE FREE-STANDING GUIDE PIN BOARD LAYOUT DRAWING			
REV B	DESCRIPTION	3 PLACES ±---	DRAFT WHERE APPLICABLE MUST REMAIN WITHIN DIMENSIONS		CHECKED BY KMULVEY	DATE 2005/11/22	MATERIAL NO. SEE TABLE			
		2 PLACES ±---	ANGULAR ±---		APPROVED BY SMILLER	DATE 2010/11/23	DOCUMENT NO. SD-75234-120			
		1 PLACE ±---	SIZE C		THIS DRAWING CONTAINS INFORMATION THAT IS PROPRIETARY TO MOLEX INCORPORATED AND SHOULD NOT BE USED WITHOUT WRITTEN PERMISSION					