

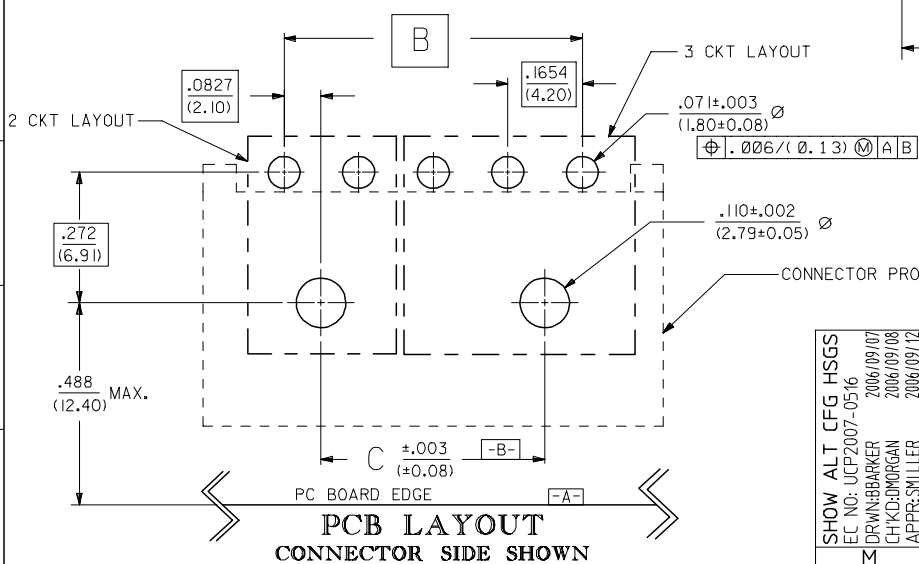
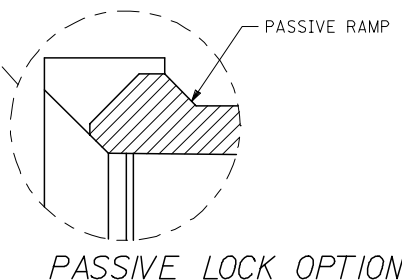
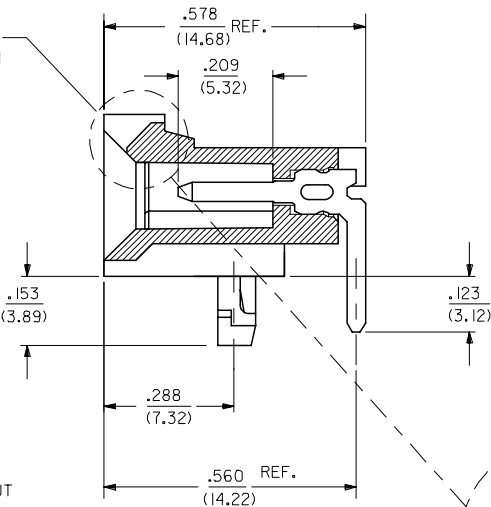
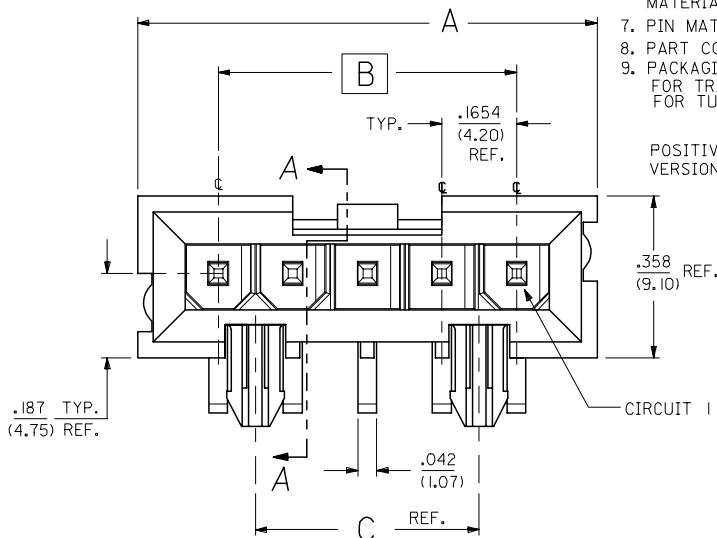
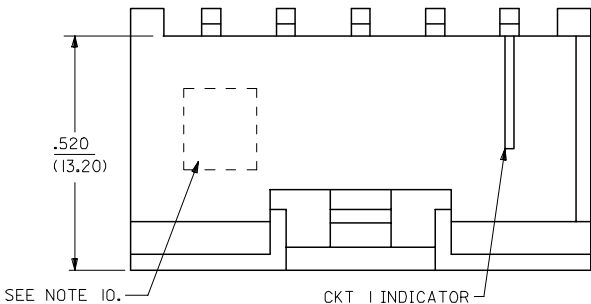
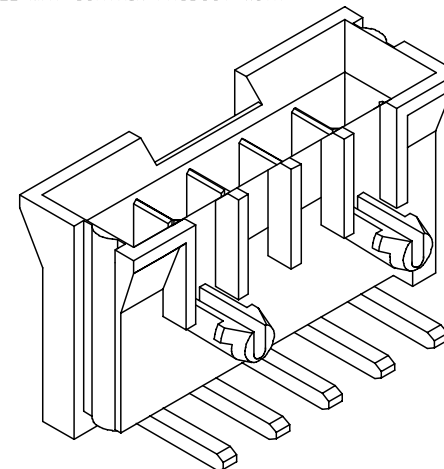
**NOTES:**

1. ASSEMBLY NO. 71233-0007 SHOWN FOR ILLUSTRATION.
2. MATES WITH PART NO. 71694-\*\*\*\*, AND 5557-\*\*.
3. SEE FOLLOWING PAGES FOR PART NOS. & CONFIGURATIONS.
4. FINISHES (SEE CHARTS):  
 TIN OVERALL - .000150/(0.0038) MINIMUM TIN OVERALL, OVER NICKEL UNDERPLATING OVERALL.  
 30 GOLD - .000030/(0.00076) MINIMUM SELECT GOLD AND .000100/(0.00254) MINIMUM SELECT TIN OVER NICKEL UNDERPLATING OVERALL.  
 15 GOLD - .000015/(0.00038) MINIMUM SELECT GOLD AND .000150/(0.0038) MINIMUM SELECT TIN OVER NICKEL UNDERPLATING OVERALL.
5. ITEM NO'S PRECEDED BY AN "X" IN THE CHARTS ARE NOT AVAILABLE.
6. HOUSING MATERIAL: HIGH TEMP. 94V-0 GLASS FILLED POLYESTER MATERIAL COLOR: WHITE.
7. PIN MATERIAL: BRASS.
8. PART CONFORMS TO SPECIFICATION NO. PS-71690-001.
9. PACKAGING SPECIFICATIONS:  
 FOR TRAY, SEE PK-71232-0000  
 FOR TUBE, SEE PK-71233-0000

10. LOCATION FOR .25/(6.4) TALL "T" FOR 71233-5005.

**NOTE FOR LEAD FREE CONVERSION:**

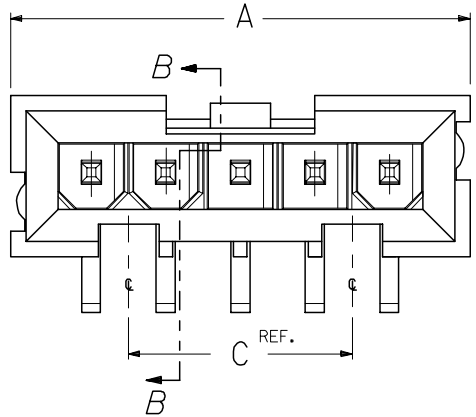
THE PRIMARY SHIPPING CARTON WILL BE LABELED "COMPLIANT TO RoHS DIRECTIVE 2002/95/EC AND ELV ANNEX II OF DIRECTIVE 2000/53/EC". CARTONS WITHOUT THIS LABEL MAY CONTAIN PRODUCT WITH LEAD.



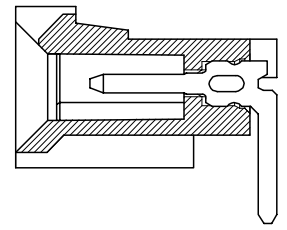
4	L
3	L
2	M
1	M
SHT	REV

SHOW ALT CFG HSGS FC NO: UCP2007-0516 2006/09/07 DRAWN: BARKER 2006/09/08 CHKD: MORGAN 2006/09/08 APPR: SMILLER 2006/09/12	QUALITY SYMBOLS ▽=0 ▽=0	GENERAL TOLERANCES (UNLESS SPECIFIED) mm INCH 4 PLACES ± --- ± --- 3 PLACES ± --- ± .010 2 PLACES ± 0.25 ± .015 1 PLACE ± 0.38 ± --- ANGULAR ±1/2°	DIMENSION STYLE IN/MM DRAWN BY DATE RWB 8/2/93 CHECKED BY DATE PAR 8/2/93 APPROVED BY DATE FAH 8/2/93	SCALE 5:1 DESIGN UNITS INCH THIRD ANGLE PROJECTION	MATERIAL NO. SDA-71233-**** DOCUMENT NO.	SHEET NO. 1 OF 4
	DRAFT WHERE APPLICABLE MUST REMAIN WITHIN DIMENSIONS			SEE TABLES		
	THIS DRAWING CONTAINS INFORMATION THAT IS PROPRIETARY TO MOLEX INCORPORATED AND SHOULD NOT BE USED WITHOUT WRITTEN PERMISSION					
	MOLEX INCORPORATED					

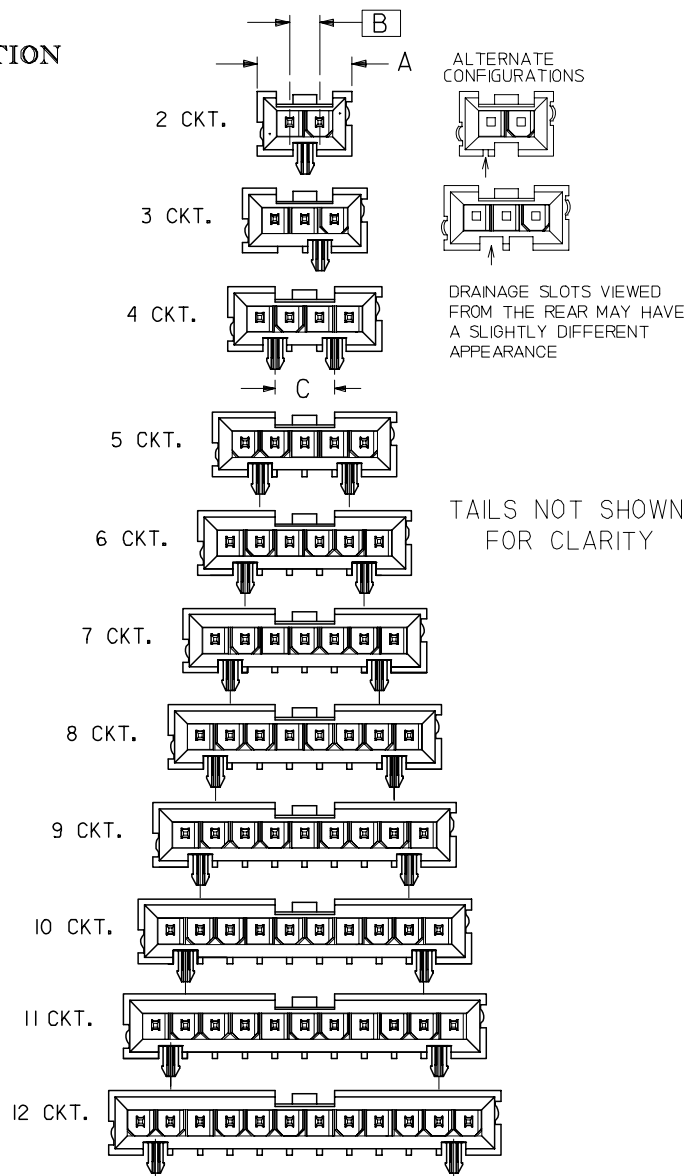
SEE SHEET 1 FOR ALL OTHER INFORMATION



NO PEG OPTION



SECTION B-B



# OVERALL DIMENSIONS

## ASSEMBLIES WITH & WITHOUT PEGS

SIZE	DIM. "A"		DIM. "B" BASIC		DIM. "C" REF.	
	INCH	(MM)	INCH	(MM)	INCH	(MM)
2	0.524	(13.31)	0.1654	(4.200)	N/A	N/A
3	0.689	(17.50)	0.3307	(8.400)	N/A	N/A
4	0.855	(21.71)	0.4961	(12.600)	0.330	(8.40)
5	1.020	(25.91)	0.6614	(16.800)	0.496	(12.60)
6	1.185	(30.10)	0.8268	(21.000)	0.661	(16.80)
7	1.351	(34.31)	0.9921	(25.200)	0.826	(21.00)
8	1.516	(38.50)	1.1575	(29.400)	0.992	(25.20)
9	1.682	(42.72)	1.3228	(33.600)	1.157	(29.40)
10	1.847	(46.91)	1.4882	(37.800)	1.322	(33.60)
11	2.012	(51.10)	1.6535	(42.000)	1.488	(37.80)
12	2.177	(55.30)	1.8189	(46.200)	1.653	(42.00)

SHOW ALT CFG HSG FCC NO: UCP2007-0516 DRAWN BY: BARKER 2006/09/07 CHKD: MORGAN 2006/09/08 APPR: MILLER 2006/09/12 M	QUALITY SYMBOLS ▽=0 ▽=0	GENERAL TOLERANCES (UNLESS SPECIFIED)		DIMENSION STYLE IN/MM		SCALE ---	DESIGN UNITS INCH	THIRD ANGLE PROJECTION	
		4 PLACES ± --- ± ---	3 PLACES ± --- ± .010	DRAWN BY: RWB	DATE: 8/2/93	TITLE: SINGLE ROW RIGHT ANGLE THRU HOLE MINIFIT HEADER ASSEMBLY			
		2 PLACES ± 0.25 ± .015	1 PLACE ± 0.38 ± ---	CHECKED BY: PAR	DATE: 8/2/93	MOLEX INCORPORATED			
		ANGULAR ±1/2°		APPROVED BY: FAH	DATE: 8/2/93	MATERIAL NO. SEE TABLES	DOCUMENT NO. SDA-71233-****	SHEET NO. 2 OF 4	
DRAFT WHERE APPLICABLE MUST REMAIN WITHIN DIMENSIONS		THIS DRAWING CONTAINS INFORMATION THAT IS PROPRIETARY TO MOLEX INCORPORATED AND SHOULD NOT BE USED WITHOUT WRITTEN PERMISSION							

# HOUSINGS WITH PEGS

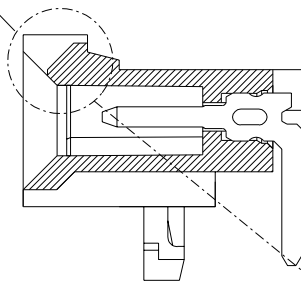
SIZE	STAT	ASSEMBLY ITEM NUMBER	PLATING SEE NOTE 4	
2		71233-0001	TIN OVERALL	
3		71233-0003		
4		71233-0005		
5		71233-0007		
6		71233-0009		
7		71233-0011		
8		71233-0013		
9		71233-0015		
10		71233-0017	30 GOLD	
11		71233-0019		
12		71233-0021		
2		71233-0101		30 GOLD
3		71233-0103		
4		71233-0105		
5		71233-0107		
6		71233-0109		
7		71233-0111		
8		71233-0113		
9		71233-0115		
10		71233-0117		
11		71233-0119		
12		71233-0121		

(POSITIVE LOCK, TRAY PACK)

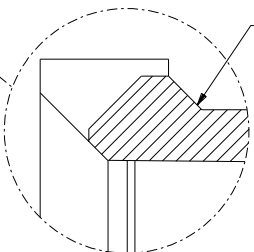
SIZE	STAT	ASSEMBLY ITEM NUMBER	PLATING SEE NOTE 4
2		71233-0002	TIN OVERALL
3		71233-0004	
4		71233-0006	
5		71233-0008	
6		71233-0010	
7		71233-0012	
8		71233-0014	
9		71233-0016	30 GOLD
10		71233-0018	
11		71233-0020	
12		71233-0022	
2		71233-0102	
3		71233-0104	
4		71233-0106	
5		71233-0108	
6		71233-0110	
7		71233-0112	
8		71233-0114	
9		71233-0116	
10		71233-0118	
11		71233-0120	
12		71233-0122	

(PASSIVE LOCK, TRAY PACK)

POSITIVE LOCK VERSION SHOWN



PASSIVE RAMP



# HOUSINGS WITHOUT PEGS

SIZE	STAT	ASSEMBLY ITEM NUMBER	PLATING SEE NOTE 4
2		71233-0201	TIN OVERALL
3		71233-0203	
4		71233-0205	
5		71233-0207	
6		71233-0209	
7		71233-0211	
8		71233-0213	
9		71233-0215	30 GOLD
10		71233-0217	
11		71233-0219	
12		71233-0221	
2		71233-0301	
3		71233-0303	
4		71233-0305	
5		71233-0307	
6		71233-0309	
7		71233-0311	
8		71233-0313	
9		71233-0315	
10		71233-0317	
11		71233-0319	
12		71233-0321	

(POSITIVE LOCK, TRAY PACK)

SIZE	STAT	ASSEMBLY ITEM NUMBER	PLATING SEE NOTE 4
2		71233-0202	TIN OVERALL
3		71233-0204	
4		71233-0206	
5		71233-0208	
6		71233-0210	
7		71233-0212	
8		71233-0214	
9		71233-0216	30 GOLD
10		71233-0218	
11		71233-0220	
12		71233-0222	
2		71233-0302	
3		71233-0304	
4		71233-0306	
5		71233-0308	
6		71233-0310	
7		71233-0312	
8		71233-0314	
9		71233-0316	
10		71233-0318	
11		71233-0320	
12		71233-0322	

(PASSIVE LOCK, TRAY PACK)

LTR.	REVISIONS	LTR.	REVISIONS	<table border="1"> <tr><td colspan="2">DIMENSIONS SHOWN (METRIC) INCH</td></tr> <tr><td colspan="2">UNLESS OTHERWISE SPECIFIED TOLERANCES: ANGULAR ± 1/2°</td></tr> <tr><td>3 PLACE ± .005</td><td>---</td></tr> <tr><td>2 PLACE ± .01</td><td>± 0.13</td></tr> <tr><td>1 PLACE ---</td><td>± 0.25</td></tr> <tr><td colspan="2">DRAFT WHERE APPLICABLE MUST REMAIN WITHIN DIMENSIONS</td></tr> <tr><td>DRWG. BY: RWB</td><td>CHK'D. BY: PAR</td></tr> <tr><td>APP'D. BY: FAH</td><td>SCALE: :</td></tr> </table>	DIMENSIONS SHOWN (METRIC) INCH		UNLESS OTHERWISE SPECIFIED TOLERANCES: ANGULAR ± 1/2°		3 PLACE ± .005	---	2 PLACE ± .01	± 0.13	1 PLACE ---	± 0.25	DRAFT WHERE APPLICABLE MUST REMAIN WITHIN DIMENSIONS		DRWG. BY: RWB	CHK'D. BY: PAR	APP'D. BY: FAH	SCALE: :
DIMENSIONS SHOWN (METRIC) INCH																				
UNLESS OTHERWISE SPECIFIED TOLERANCES: ANGULAR ± 1/2°																				
3 PLACE ± .005	---																			
2 PLACE ± .01	± 0.13																			
1 PLACE ---	± 0.25																			
DRAFT WHERE APPLICABLE MUST REMAIN WITHIN DIMENSIONS																				
DRWG. BY: RWB	CHK'D. BY: PAR																			
APP'D. BY: FAH	SCALE: :																			
<table border="1"> <tr><td colspan="2">REVISE ONLY ON CAD SYSTEM</td></tr> <tr><td colspan="2">TITLE: SINGLE ROW MINI-FIT HEADER RIGHT ANGLE, BLIND MATE, THRU-HOLE SALES ASSEMBLY</td></tr> <tr><td>FROM: MOLEX INCORPORATED</td><td>SHEET NO. DATE</td></tr> <tr><td>LITSE,ILL. 60532</td><td>U.S.A. 3 08/02/93</td></tr> <tr><td>PART NO. SEE CHART</td><td>DRWG. NO. SDA-71233-****</td></tr> <tr><td>FILE NAME: 571233P3.DGN</td><td>THIS DRAWING CONTAINS INFORMATION THAT IS PROPRIETARY TO MOLEX INC. AND SHOULD NOT BE USED WITHOUT WRITTEN PERMISSION</td></tr> </table>				REVISE ONLY ON CAD SYSTEM		TITLE: SINGLE ROW MINI-FIT HEADER RIGHT ANGLE, BLIND MATE, THRU-HOLE SALES ASSEMBLY		FROM: MOLEX INCORPORATED	SHEET NO. DATE	LITSE,ILL. 60532	U.S.A. 3 08/02/93	PART NO. SEE CHART	DRWG. NO. SDA-71233-****	FILE NAME: 571233P3.DGN	THIS DRAWING CONTAINS INFORMATION THAT IS PROPRIETARY TO MOLEX INC. AND SHOULD NOT BE USED WITHOUT WRITTEN PERMISSION					
REVISE ONLY ON CAD SYSTEM																				
TITLE: SINGLE ROW MINI-FIT HEADER RIGHT ANGLE, BLIND MATE, THRU-HOLE SALES ASSEMBLY																				
FROM: MOLEX INCORPORATED	SHEET NO. DATE																			
LITSE,ILL. 60532	U.S.A. 3 08/02/93																			
PART NO. SEE CHART	DRWG. NO. SDA-71233-****																			
FILE NAME: 571233P3.DGN	THIS DRAWING CONTAINS INFORMATION THAT IS PROPRIETARY TO MOLEX INC. AND SHOULD NOT BE USED WITHOUT WRITTEN PERMISSION																			