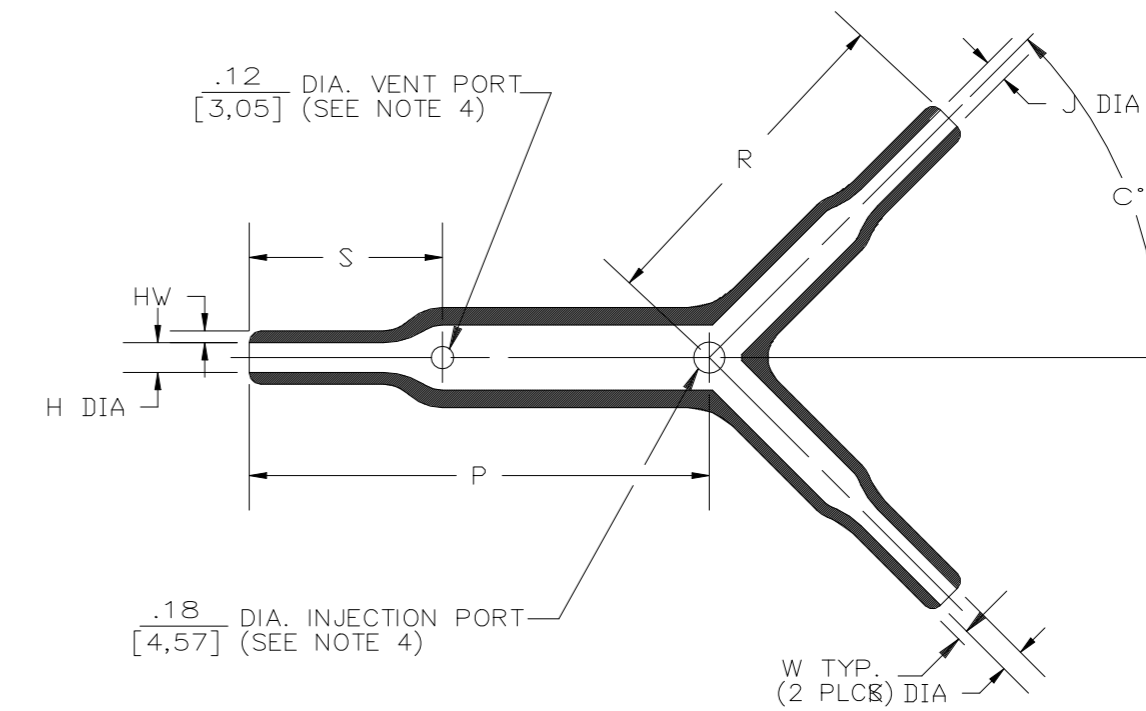
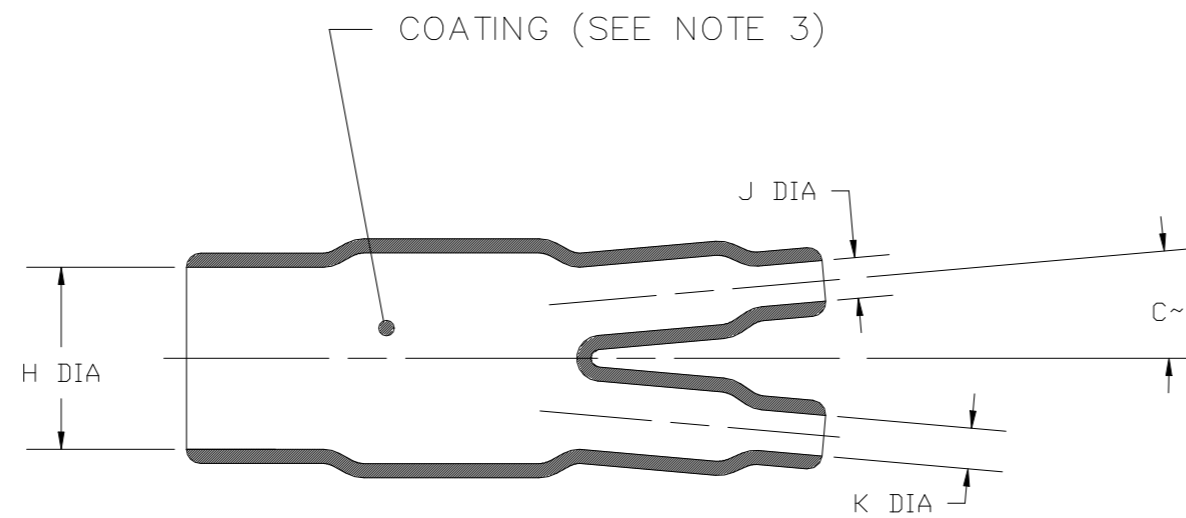


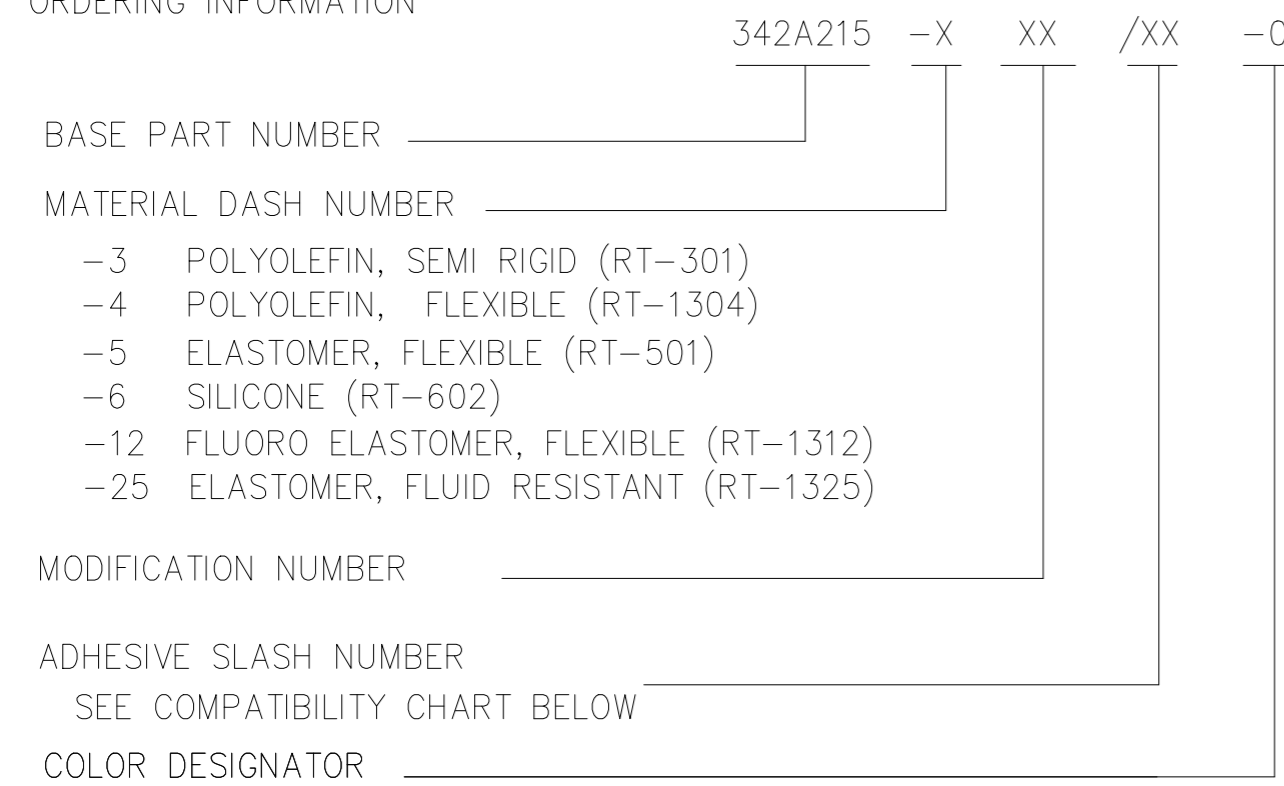
REVISIONS					
P	LTR	DESCRIPTION	DATE	DWN	APVD
H		REVISED PER ECN-22-186326	23NOV2022	MM	LR

NOTES

- ALL DIMENSIONS ARE IN $\frac{\text{INCHES}}{\text{[MILLIMETERS]}}$ $\frac{\text{LBS}}{\text{[GMS]}}$
- DIMENSIONS APPEARING IN TABLE ARE AS FOLLOWS:
 - a - AS SUPPLIED
 - b - AFTER UNRESTRICTED RECOVERY
- COATING IS OPTIONAL. AS SUPPLIED DIMENSIONS APPEARING IN TABLE ARE FOR UNCOATED PARTS WHEN COATING IS ADDED, ENTRY DIAMETERS WILL BE REDUCED BY 0.06 MAX.
- MOLDING PORTS ARE OPTIONAL. WHEN -00 MODIFICATION NUMBER IS SPECIFIED MOLDING PORTS WILL BE LOCATED AS SHOWN.
- WEIGHT APPEARING IN TABLE OF DIMENSIONS IS BASED ON POLYOLEFIN PART.



ORDERING INFORMATION



AS SUPPLIED

AFTER UNRESTRICTED RECOVERY

TABLE OF DIMENSIONS

PART DESCRIPTION	H		J		P ±10%	R ±10%	S ±10%	HW ±20%	W ±20%	C°		WEIGHT NOM b
	MIN a	MAX b	MIN a	MAX b						±10° a	±5° b	
	342A215	.74 [18,7]	.31 [7,9]	.42 [10,6]	.22 [5,6]	3.25 [82,5]	2.50 [63,5]	1.55 [39,4]	.09 [2,3]	.08 [2,0]	10°	45°

COMPATIBILITY CHART

MATERIAL DASH NO.	ADHESIVE (COATING) SLASH NUMBER	ADHESIVE (COATING) S NUMBER
-3	/42; /86 /180	S-1017; S-1048; S-1030
-4	/42; /86 /180	S-1017; S-1048; S-1030
-12	N/A	N/A
-25	/42; /86 /225	S-1017; S-1048; S-1206
-100	/86 /180	S-1048; S-1030

THIS DRAWING IS A CONTROLLED DOCUMENT.		DWN	23NOV2022	
		MM		
		CHK	23NOV2022	
		C CALDERON		
		APVD	23NOV2022	NAME
		L RODRIGUEZ		-
		PRODUCT SPEC		TRANSITION, Y
		APPLICATION SPEC		-
		WEIGHT		0
		SCALE		A2 06090 C=342A215
		CUSTOMER DRAWING		RESTRICTED TO
		SCALE		DNS
		SHEET		1 OF 1
		REV		H