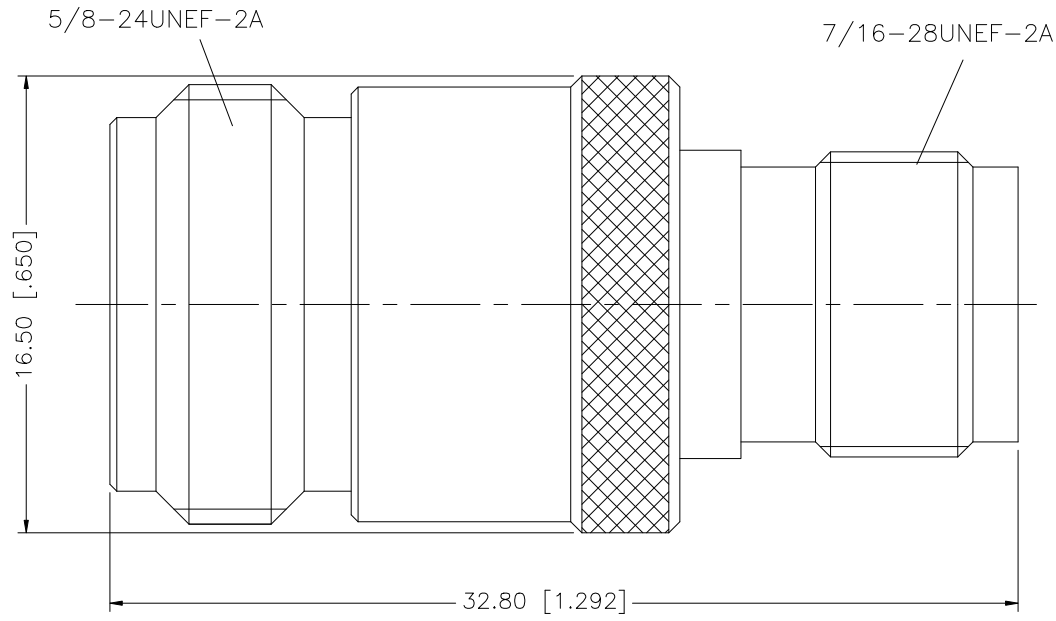


REV.	DATE	DESCRIPTION
A	03/27/05	UPDATE DRAWING FORMAT
B	02/25/08	REVISE PART DESCRIPTION



8					<small>UNLESS OTHERWISE SPECIFIED DIMENSIONS ARE IN MILLIMETERS. DIMENSIONS IN [] ARE IN INCHES AND FOR CUSTOMER REFERENCE ONLY.</small> <small>UNLESS OTHERWISE SPECIFIED TOLERANCES FOR MILLIMETERS ARE: 0.5 - 8mm ± 0.20mm 8 - 30mm ± 0.40mm 30 - 120mm ± 0.50mm</small> <small>UNLESS OTHERWISE SPECIFIED TOLERANCES FOR INCHES ARE: .020 - .315 = ± 0.007" .315 - 1.180 = ± 0.015" 1.180 - 4.724 = ± 0.020"</small>	APPROVALS	DATE	<h1 style="color: blue;">Amphenol Connex</h1>					
7						DRAWN	G.R.S.					02/25/08	PART DESCRIPTION N JACK TO TNC JACK ADAPTER
6						CHECKED			PART NO. 242132				
5						ISSUED							DWG. NO. 242132.DWG
4	GASKET	SILICONE	RED	1		SHEET	1 OF 1		REV.	B	SIZE	A	
3	CONTACT PIN	PHOS. BRONZE	GOLD	1	CAD FILE			C:/242/242132.DWG					
2	INSULATOR	PTFE	NATURAL	1	DO NOT SCALE DRAWING								
1	BODY	BRASS	NICKEL	1									