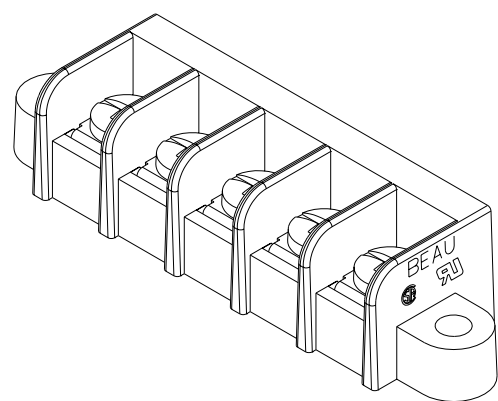
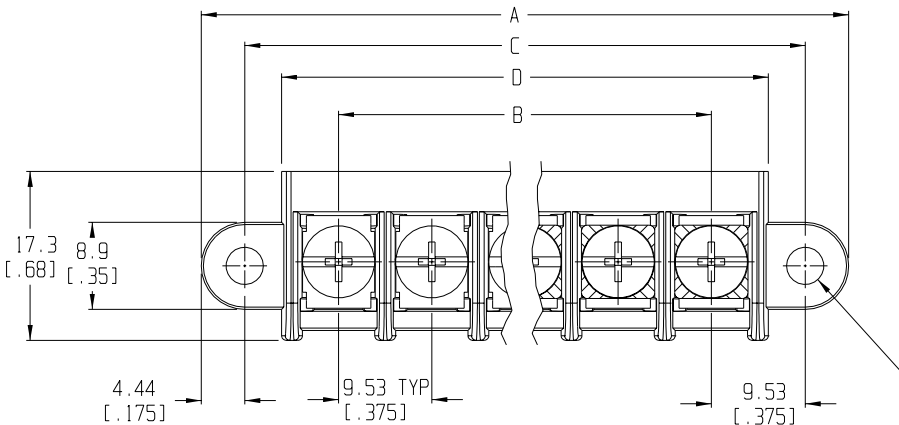
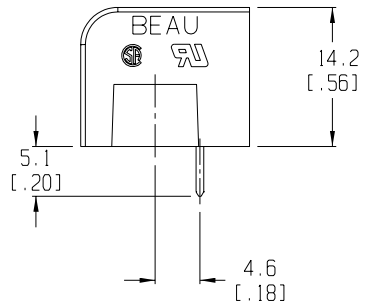
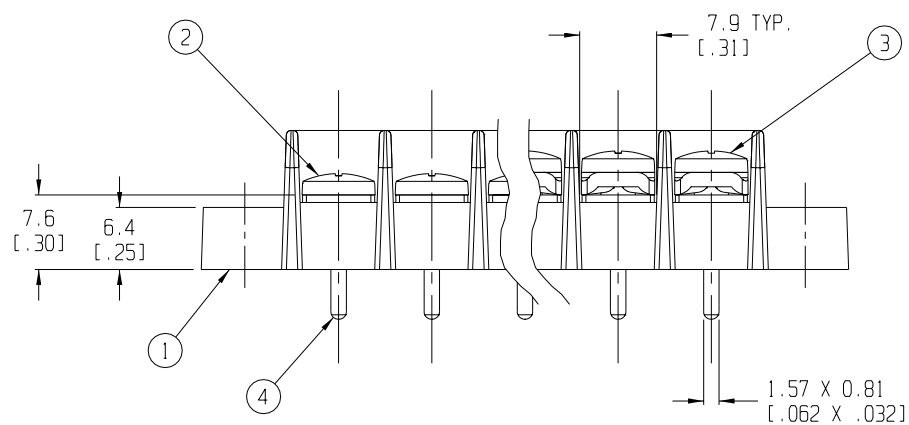


RECOMMENDED PTH PATTERN  
SCALE 1:1



5 CIRCUIT SHOWN  
Ø3.81 2 HOLES [.150]



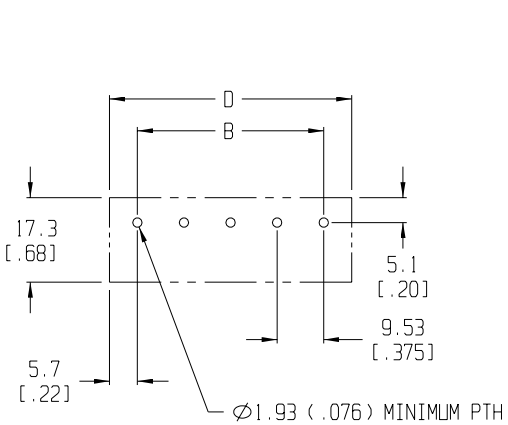
- NOTES:
1. MATERIAL: SEE TABLE
  2. FINISHES: SEE TABLE
  3. PRODUCT SPECIFICATION: UL & CSA, 12-24 AWG
  4. PACKAGING: NOT REQUIRED
  5. MATES WITH: NONE
  6. "XX" REFERS TO QTY. OF CIRCUITS
  7. LENGTH TABLE SHOWN ON SHEET 2
  8. REFER TO SD-38120-001 (-10A THRU -10D AND -11A THRU -11D) OR SD-38120-002 (-10AT THRU -10DT AND -11AT THRU -11DT) FOR OPTIONAL IMPRINTING.

| ITEM | QTY. | DESCRIPTION              | MATERIAL      | FINISH        |
|------|------|--------------------------|---------------|---------------|
| 4    | XX   | TERMINAL                 | BRASS         | TIN PLATE     |
| 3    | XX   | SCREW & WASHER (-50 OPT) | STEEL         | ZINC CHROMATE |
| 2    | XX   | SCREW (STD.)             | STEEL         | ZINC CHROMATE |
| 1    | 1    | BARRIER TERMINAL STRIP   | THERMOPLASTIC | BLACK         |

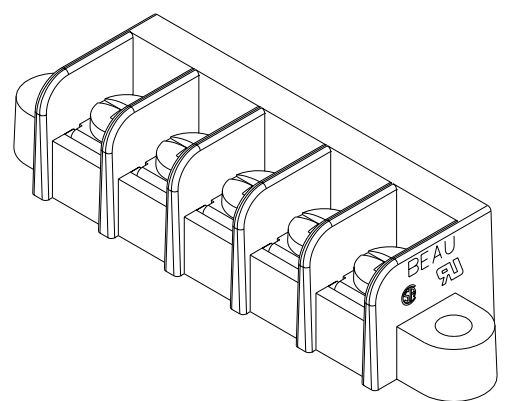
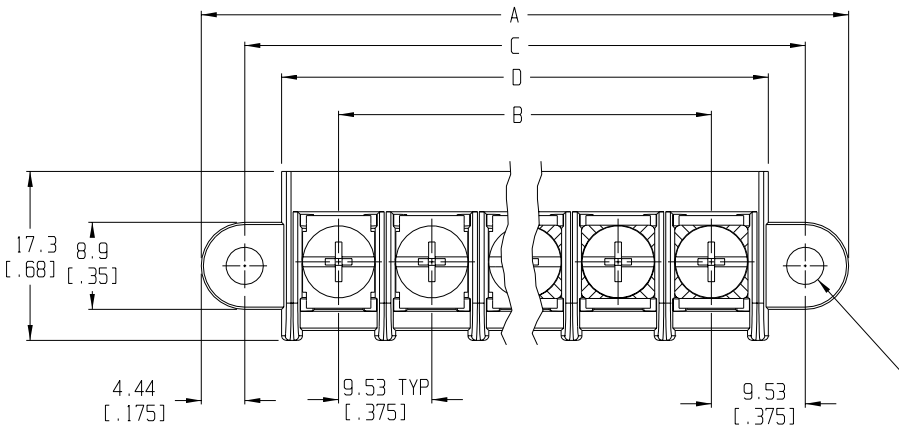
|   |   |  |   |                               |   |
|---|---|--|---|-------------------------------|---|
| EC NO. RELEASED<br>DRWN: CLY<br>CHK: APPR:<br>REV A | DESCRIPTION<br>MAJOR<br>CRITICAL<br>SPC | GENERAL TOLERANCES:<br>(UNLESS SPECIFIED)                                    | SCALE 2:1<br>DESIGN UNITS<br><input type="checkbox"/> mm <input checked="" type="checkbox"/> INCH | THIRD ANGLE PROJECTION        | PROJECT NO. -<br>DIMENSIONS:<br><input checked="" type="checkbox"/> mm <input type="checkbox"/> INCH <input type="checkbox"/> mm ONLY |
|   |   | 4 PLACES ±.0015<br>3 PLACES ±.038 ±.005<br>2 PLACES ±.13 ±.01<br>1 PLACE ±.3 | DRAWN BY & DATE<br>C. YORK 7-29-03  | TITLE:<br>SR BTS, PC TERMINAL |   |
|   |   | ANGULAR: ±2°   | CHECKED BY & DATE<br>APPROVED BY & DATE   | MOLEX INCORPORATED            |   |
|   |   | DRAFT WHERE APPLICABLE MUST REMAIN WITHIN DIMENSIONS                         | CAD FILENAME<br>755XX   | MATERIAL NO.<br>SEE SHEET 2   | DRAWING NO.<br>SD-38750-001   |

THIS DRAWING CONTAINS INFORMATION THAT IS PROPRIETARY TO MOLEX INCORPORATED AND SHOULD NOT BE USED WITHOUT WRITTEN PERMISSION.

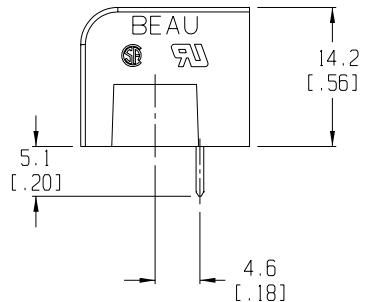
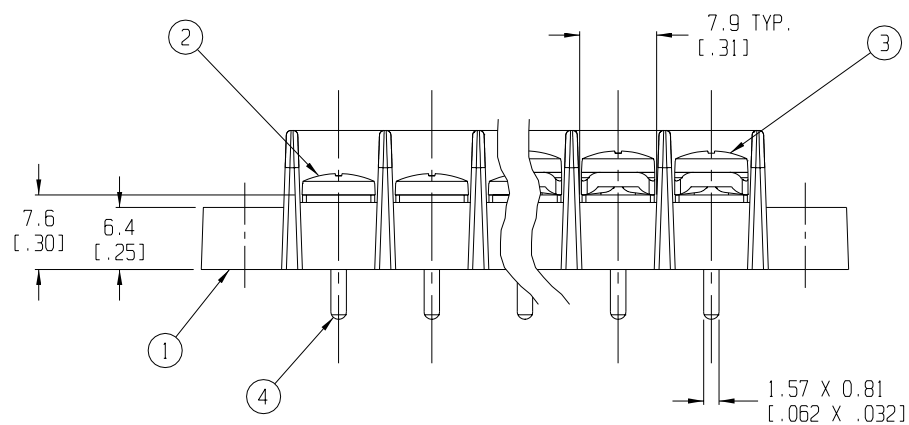
|    |   |   |   |   |   |   |   |   |
|----|---|---|---|---|---|---|---|---|
| 10 | 9 | 8 | 7 | 5 | 4 | 3 | 2 | 1 |
|----|---|---|---|---|---|---|---|---|



RECOMMENDED PTH PATTERN  
SCALE 1:1



5 CIRCUIT SHOWN  
Ø3.81 2 HOLES [.150]



- NOTES:
1. MATERIAL: SEE TABLE
  2. FINISHES: SEE TABLE
  3. PRODUCT SPECIFICATION: UL & CSA, 12-24 AWG
  4. PACKAGING: NOT REQUIRED
  5. MATES WITH: NONE
  6. "XX" REFERS TO QTY. OF CIRCUITS
  7. LENGTH TABLE SHOWN ON SHEET 2
  8. REFER TO SD-38120-001 (-10A THRU -10D AND -11A THRU -11D) OR SD-38120-002 (-10AT THRU -10DT AND -11AT THRU -11DT) FOR OPTIONAL IMPRINTING.

| ITEM | QTY. | DESCRIPTION              | MATERIAL      | FINISH        |
|------|------|--------------------------|---------------|---------------|
| 4    | XX   | TERMINAL                 | BRASS         | TIN PLATE     |
| 3    | XX   | SCREW & WASHER (-50 OPT) | STEEL         | ZINC CHROMATE |
| 2    | XX   | SCREW (STD.)             | STEEL         | ZINC CHROMATE |
| 1    | 1    | BARRIER TERMINAL STRIP   | THERMOPLASTIC | BLACK         |

|   |   |  |  |  |   |
|---|---|--|--|--|---|
| EC NO. RELEASED<br>DRWN: CLY<br>CHK: APPR:<br>REV A | DESCRIPTION<br>MAJOR<br>CRITICAL<br>SPC | GENERAL TOLERANCES:<br>(UNLESS SPECIFIED)                                    | SCALE 2:1<br>DESIGN UNITS<br><input type="checkbox"/> mm <input checked="" type="checkbox"/> INCH  | THIRD ANGLE PROJECTION   | PROJECT NO. -<br>DIMENSIONS:<br><input checked="" type="checkbox"/> mm <input type="checkbox"/> INCH <input type="checkbox"/> mm ONLY |
|   |   | 4 PLACES ±.0015<br>3 PLACES ±.038 ±.005<br>2 PLACES ±.13 ±.01<br>1 PLACE ±.3 | DRAWN BY & DATE<br>C. YORK 7-29-03   | TITLE:<br>SR BTS, PC TERMINAL  |   |
|   |   | ANGULAR: ±2°   | CHECKED BY & DATE<br>APPROVED BY & DATE  | MOLEX INCORPORATED   |   |
|   |   | DRAFT WHERE APPLICABLE MUST REMAIN WITHIN DIMENSIONS                         | CAD FILENAME 755XX<br>THIS DRAWING CONTAINS INFORMATION THAT IS PROPRIETARY TO MOLEX INCORPORATED AND SHOULD NOT BE USED WITHOUT WRITTEN PERMISSION. | MATERIAL NO. SEE SHEET 2<br>DRAWING NO. SD-38750-001<br>SHEET NO. 1 OF 2 |   |

|    |   |   |   |   |   |   |   |   |
|----|---|---|---|---|---|---|---|---|
| 10 | 9 | 8 | 7 | 5 | 4 | 3 | 2 | 1 |
|----|---|---|---|---|---|---|---|---|