

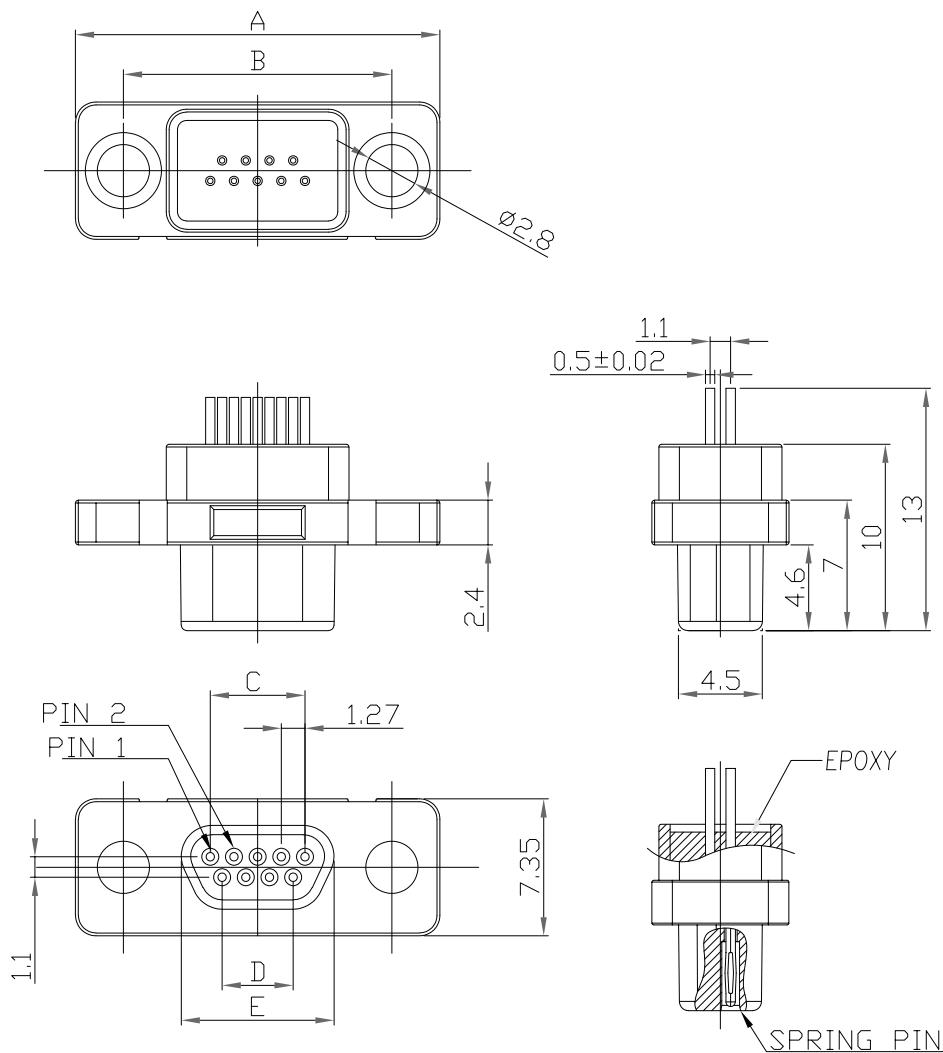
SPECIFICATIONS:

ELECTRICAL:

INSULATOR RESISTANCE: 1000 MOHMS MIN.
 SIGNAL CONTACT RESISTANCE: 45 mOHMS MAX.
 CONTACT CURRENT RATING: 1 AMP
 D.W.V.: 500VAC
 OPERATING TEMPERATURE: -55°C TO 85°C

MATERIALS:

INSULATOR: PBT UL94V-0, BLK
 230°C MAX PROCESS TEMP
 SHELL: ZINC ALLOY
 CONTACTS: 15u" GOLD PLATED BERYLLIUM COPPER MATING AREA
 TIN PLATED ON SOLDER AREA



DIMENSIONS(mm) ±0.15					
SIZE	A	B	C	D	E
9	19.55	14.35	5.08	3.81	8.20
15	23.36	18.20	8.89	7.62	12.00
25	29.70	24.55	15.24	13.97	18.35

NOTE:

**NOT DESIGNED TO MATE WITH NORCOMP 580-M // 581-M SERIES CONNECTORS. IF ANY QUESTIONS PLEASE CONTACT ENG@NORCOMP.NET

380-YYY-11YL001

SERIES
 POSITIONS
 009
 015
 025

PCB CONTACT LENGTH
 3 = 2.50mm

RoHS COMPLIANT



THESE DRAWINGS AND SPECIFICATIONS ARE THE PROPERTY OF NorComp AND SHALL NOT BE REPRODUCED, COPIED OR USED AS THE BASIS FOR THE MANUFACTURE OR SALE OF APPARATUS WITHOUT WRITTEN PERMISSION.

DRAWN:
 M. SIGMON

DATE:
 08/18/2011

UNITS = mm

DO NOT SCALE FROM DRAWING

NorComp

SCALE:
 NTS

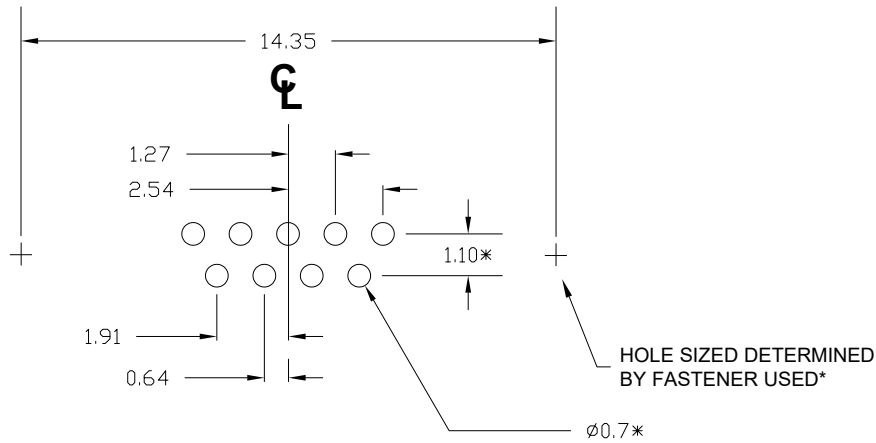
SHEET OF
 1 2

REV
 5

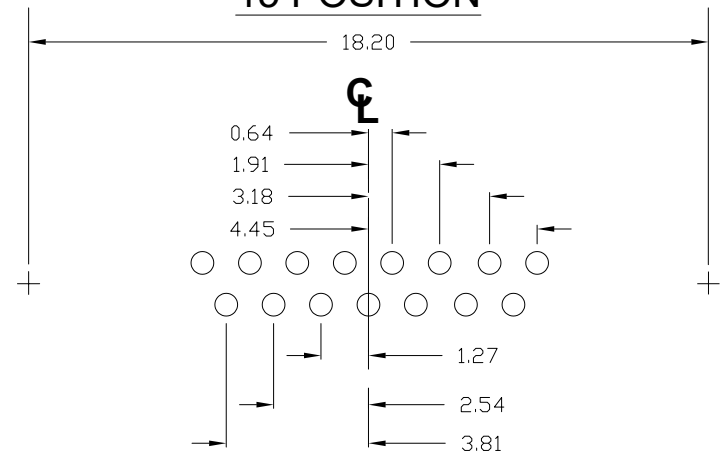
DWG NO.

380-YYY-113L001

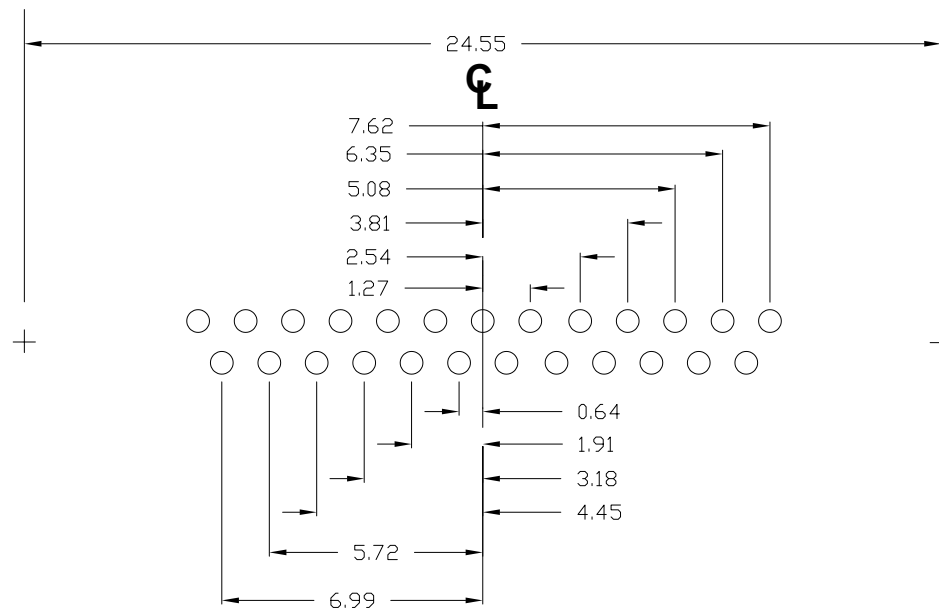
9 POSITION



15 POSITION



25 POSITION



*TYPICAL

RoHS COMPLIANT

UNITS = mm

DO NOT SCALE FROM DRAWING



THESE DRAWINGS AND SPECIFICATIONS ARE THE PROPERTY OF NorComp AND SHALL NOT BE REPRODUCED, COPIED OR USED AS THE BASIS FOR THE MANUFACTURE OR SALE OF APPARATUS WITHOUT WRITTEN PERMISSION.

DRAWN:
M. SIGMON

DATE:
08/18/2011

NorComp

SCALE:
NTS

SHEET OF
2 2

REV
5

DWG NO.

380-YYY-113L001